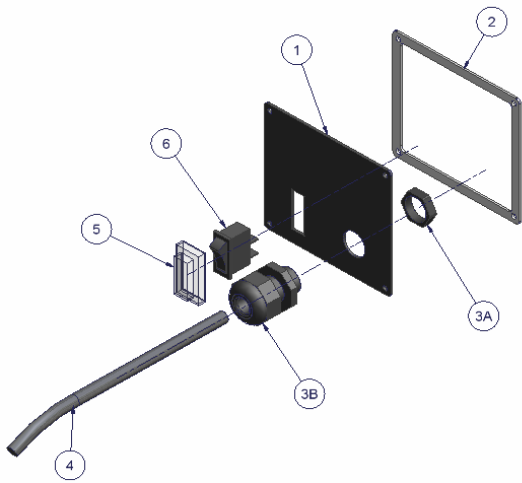


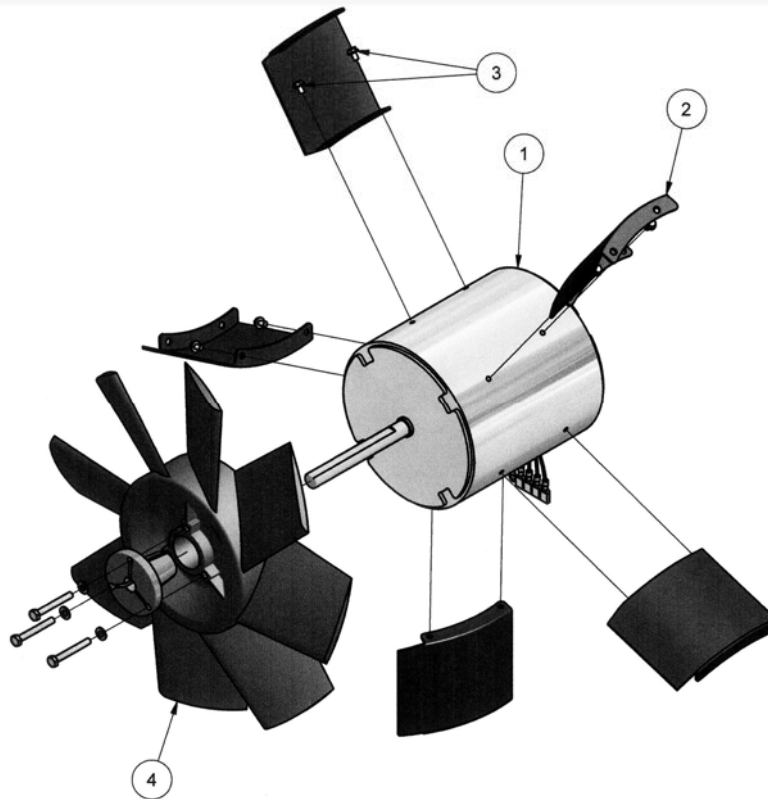
PARTS LIST

Item	Qty	Part Number	Description
1	1	AF-00C-P4A20355	12" Shell
2	1	AF-03E-M3A10365	Switch Plate Assembly
3	4	CF-00F-S2AN0003	#8x1/2" Phil Pan T/S 18-8 SS
4	1	AF-00E-PNA10227	Capacitor, 3770 VAC/40UF
5A	4	GN-00C-RNN10006	Tempest/Axial Foot, Foot
5B	4	GN-00C-RNN10006	Tempest/Axial Foot, Pin
6	6	GN-00F-R4A10194	E6-32 Stnd Well Nut
7	12	FL-00F-S5AN0025	#6 Flat Washer, 18-8, SS
8	6	GN-00F-S3AN0198	6/32X1" Stnls Blt for Well Nut
9	2	AF-00C-P6A10353	Duct Ring, VAF 12E
10	2	AF-00C-M5A10354	Grill, VAF 12E
11	10	GN-00F-A1A10203	Aluminum Rivets



PARTS LIST

Item	Qty	Part Number	Description
1	1	AF-00C-M3A10359	Switch Plate, VAF 12E/16R
2	1	AF-00C-R6A10360	Gasket, Switch Plate, VAF 12/16
3A	1	AF-00E-PNN10015	Strain Relief-LQ TIGHT
3B	1	AF-00E-PNN10015	Strain Relief-LQ TIGHT
4	1	CF-00E-N4A10004	Power cord 20' 16/3 SJT-WA CEE
5	1	GN-00C-R3MM0335	Cover, Rocker Switch
6	1	GN-00E-P3B10218	ON/OFF Rocker Switch, BLK



PARTS LIST

Item	Qty	Part Number	Description
1	1	AF-00M-N1A10203	1HP 110V 48 Frame Motor
2	5	AF-00C-M2A10361	Vane Motor Mount
3	10	AF-00F-S2AN0041	8-32 x 1/4" HWH Vane to Motor
4	1	AF-00M-P4A10566	12" Fan Blade 35 Pitch
	1	AF-00F-S5AN0007	3/8 Flat Washer 18-8 SS
	1	AF-00F-S4AN0008	3/8-16 Nylock Nut L/N 18-8 ST
	1	AF-00C-M6NN0378	Key 4mm x 19mm
	1	AF-00F-S5BN0204	1/16 Blade Backing Washer