

# Upholstery Pro

## User Instructions

The Upholstery Pro cleaning tool provides deep, rapid penetration of cleaning solution and simultaneous high volume extraction. Lightweight, easy to use, and adjustable for a wide range of fabrics and soiling conditions, the Upholstery Pro produces cleaner, drier fabrics.

*Patent Pending*

### READ AND SAVE THESE INSTRUCTIONS

#### Key features

- Comfortable handle and highly flexible vacuum hose provides relaxed balanced handling and substantially reduces operator fatigue
- In-line solution strainer helps prevent clogging
- High pressure injector glide provides deep, even penetration of solution into fabric surface
- Unique dual extraction slots permit full extraction in both directions across fabric surfaces
- Solution control valve provides precise control for widest range of fabric types and soiling conditions
- Sliding vacuum release allows for easy vacuum adjustments on the fly

#### INITIAL SETUP

Connect the front quick-connect solution line to the wand coupling and slide the front vacuum hose cuff (Fig. A, 5) firmly over the ribbed hose receiver. The Upholstery Pro is now ready to be attached to your extraction equipment.

#### USING THE UPHOLSTERY PRO

1. Connect the rear quick-connect solution line to the extractor solution line
2. Attach the rear hose coupling either to 1½ in. i.d. (coupling fits over hose) or to a 2 in. i.d. (coupling fits inside hose).
3. Turn on extractor.
4. Squeeze the trigger lever to release the solution and begin cleaning. The sliding trigger lock may be used to hold the trigger valve in the open position.
5. Use the **flow adjustment valve** (Fig. A, 4) to adjust solution flow and the **vacuum release slide** (Fig. A, 1) to adjust the strength of the vacuum.

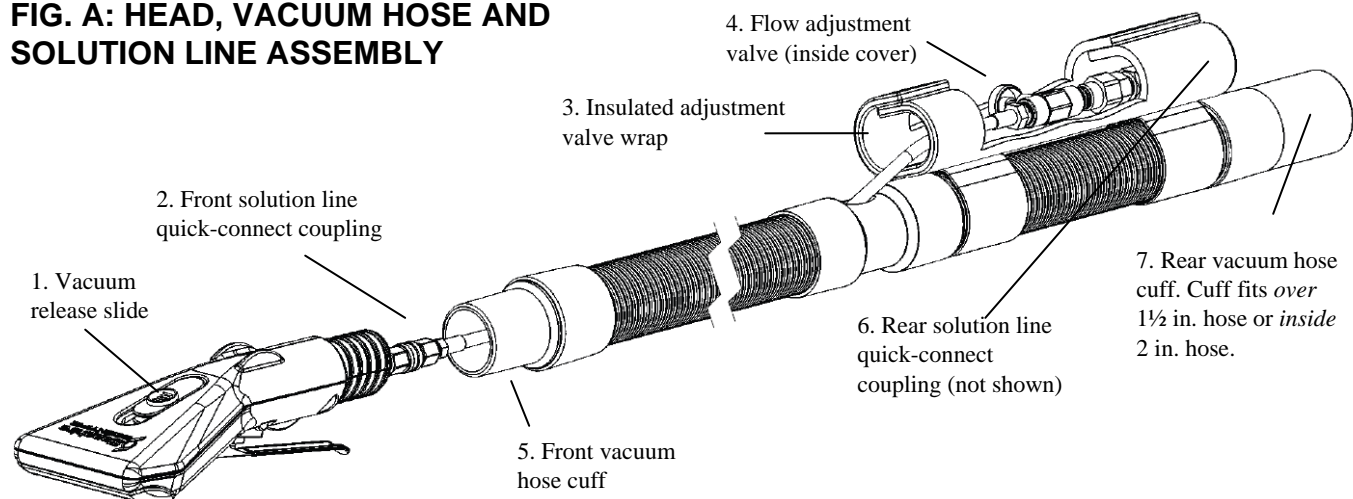


**WARNING: Flow adjustment valve assembly can become extremely hot during use. Keep valve wrap closed.**

#### Tips for Use

**Solution control.** Adjust flow according to the fabric type, absorbency and degree of soiling. Lightweight or delicate fabrics require less solution volume than

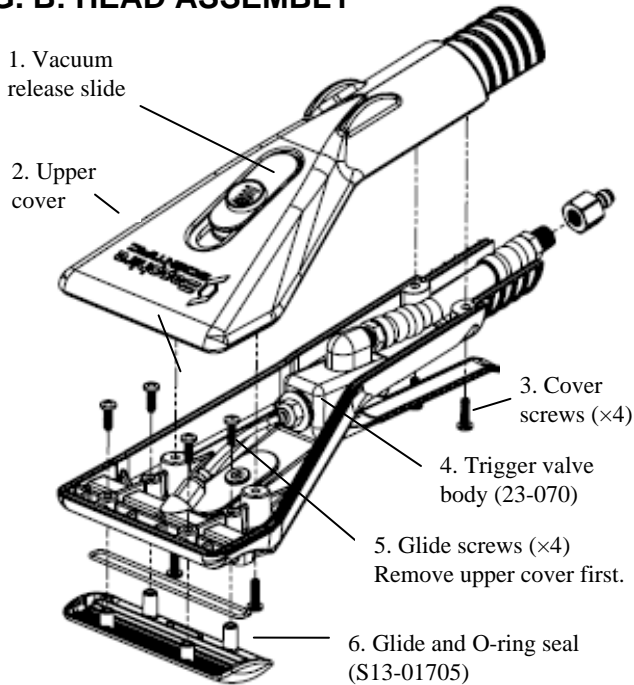
**FIG. A: HEAD, VACUUM HOSE AND SOLUTION LINE ASSEMBLY**



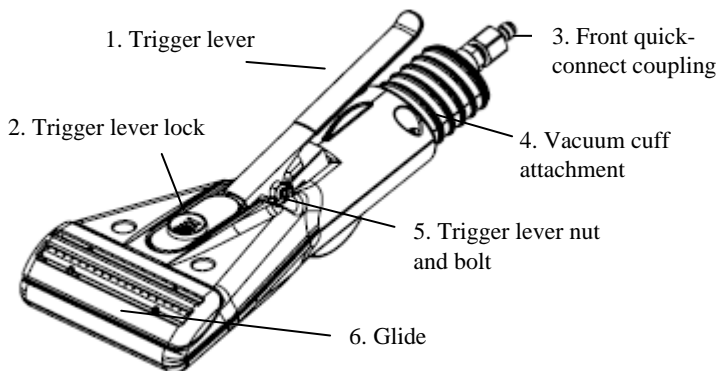
heavier, more absorbant materials. The Solution Flow Guide diagrams (Fig. E) provide a rough guide for light, medium and maximum flow adjustments.

**Vacuum control.** Use the vacuum release slide (Fig. B, 1) to control the strength of the vacuum when extracting thin, delicate or lightweight fabrics.

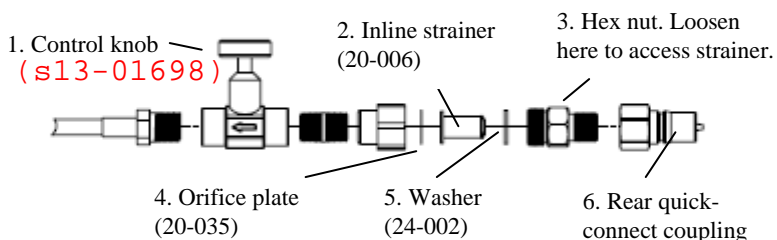
**FIG. B: HEAD ASSEMBLY**



**FIG. C: HEAD (BOTTOM VIEW)**



**FIG. D: FLOW ADJUST ASSEMBLY**



**For best results,** use the Upholstery Pro with Sapphire Scientific cleaning chemicals.

For more information about cleaning with the Upholstery Tool, visit [www.sapphirescientific.com](http://www.sapphirescientific.com).

## MAINTENANCE

**Daily: Rinse the hand tool** by running clean water through the solution line.

**Daily: Check the glide assembly** (Fig. C, 6) for steady, even flow of solution through the injector nozzles. If any of the injector ports appear clogged, use a small needle to remove the obstruction, taking care not to damage the glide. If the glide is scratched, gouged, snags on carpets, or flows excessively, it may need to be replaced (see "Servicing the glide," below). Replacement glide assemblies are available from your distributor.

**As needed: Lubricate the quick-connect couplings** (Fig. C, 3; Fig. A, 6) with a small amount of rust-inhibiting oil such as LPS-3.

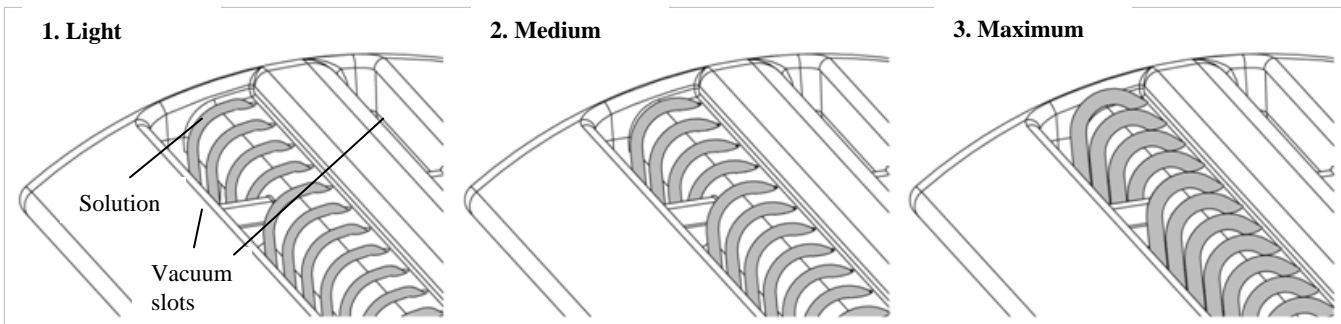
**As needed: Lubricate trigger valve stem** (Fig. F) with a small amount of synthetic heavy duty grease. To grease the stem, follow these steps.

1. Remove the trigger lever nut and bolt from the trigger lever and remove lever.
2. Unscrew stem retention nut and lift out stem assembly. Apply a small amount of grease to the stem.
3. Replace stem assembly and retighten retention nut. Reattach trigger lever.

**As needed: Clean the inline strainer** (Fig. D, 2) when solution flow is visibly reduced. To clean the filter, loosen the strainer assembly nut, and remove the strainer and strainer washer. Rinse these items in clean water and reassemble the strainer. It is not normally necessary to replace the inline filter element. Be sure to include the nylon washer when reassembling, and take care not to over-tighten the strainer assembly nut.

**To maintain appearance,** wipe exterior surfaces with a damp cloth.

## FIG. E: SOLUTION FLOW GUIDE



## SERVICING

The Upholstery Pro is designed to allow easy in-the-field service to the glide and the trigger valve with basic hand tools in just a few minutes. If replacement becomes necessary, rebuild kits and replacement parts are available from your Sapphire distributor or from Sapphire Scientific at 800-932-3030.

### Replacing the glide

Have on hand a Glide and O-ring replacement kit (part no. S13-01705).

1. Remove the four cover screws (Fig. B, 3) and lift off the cover.
2. Remove the four glide screws (Fig. B, 5) and remove the glide and the O-ring seal. Discard.
3. Install new O-ring into sealing edge of new glide. Put new glide into head. Make sure that the O-ring is in place.
4. Replace glide screws and tighten; then replace cover and tighten with cover screws.

### Servicing the trigger valve

If the trigger leaks or no longer releases sufficient solution and you have determined that the glide is not plugged or damaged (see "Check Glide Assembly," p. 2) the trigger may need service. Two repair options are available.

#### Option A: Rebuild the trigger valve.

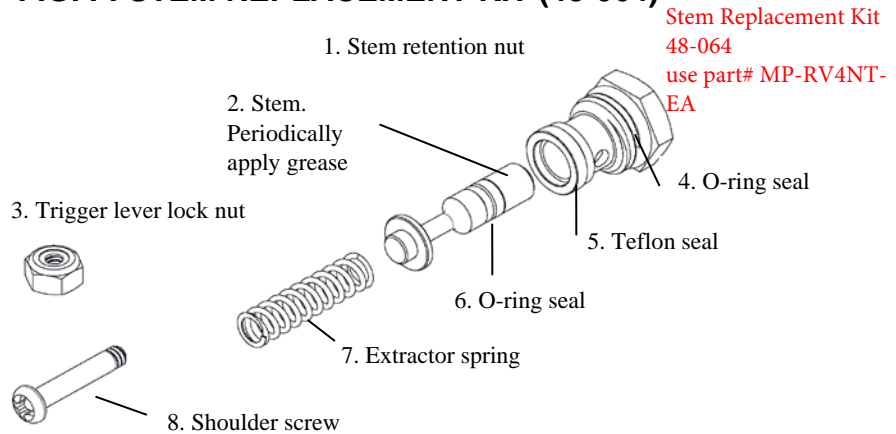
A stem replacement kit (part no. 48-064) is available from your Sapphire distributor. The parts included in this kit are shown in Fig. F.

1. Remove the nut and bolt from the trigger lever and remove the lever.
2. Unscrew stem retention nut and lift out stem assembly.
3. Install the stem assembly and retighten the stem retention nut.
4. Replace cover and reinstall trigger lever. Use the new lock nut provided (Fig. F, 3).

#### Option B: Replace the trigger valve assembly

A replacement trigger valve assembly (part no. 23-070) is available from your Sapphire distributor.

## FIG. F: STEM REPLACEMENT KIT (48-064)



Stem Replacement Kit  
48-064  
use part# MP-RV4NT-  
EA

1. Remove the four cover screws (Fig. B, 3) and lift off the cover.
2. Depress the hose release ring on the solution outlet tube and pull out the tube. Avoid kinking the tube.
3. Remove the solution outlet tube fitting from the valve body.
4. Disconnect the solution inlet hose assembly from the valve body.
5. Valve body and trigger will now drop free.
6. Insert new trigger valve valve assembly and reinstall solution outlet tube and solution inlet hose assembly.
7. Replace cover.

## REPLACEMENT PARTS

The following replacement parts are available from your Sapphire Scientific distributor:

Description	Drawing reference	Replacement part no.
Trigger and valve body	Fig. B, 4	23-070
Glide and O-ring seal	Fig. B, 6	S13-01705
Strainer, 50 Mesh	Fig. D, 2	20-006
Orifice	Fig. D, 4	20-035
Washer	Fig. D, 5	24-002
Stem replacement kit	Fig. F	48-064

Vac hose 9ft s13-01700 Stem Replacement Kit 48-064  
 Vac Hose 1ft s13-01701 use part# MP-RV4NT-EA  
 Solution hose ss-1822101-ea

## SPECIFICATIONS

Model	Sapphire Scientific Upholstery Pro Part no. 67-019
Dimensions	Head: 4 in. extraction width Hose assembly: 10 ft.
Construction	Head: High performance nylon resin. Glide: Engineering thermoplastic Hose assembly: High-flex vacuum hose Fittings: Brass with high-temp seals
<i>Specifications are subject to change without notice. Some values may be approximate.</i>	

## WARRANTY

Warranty information is available from your Sapphire Distributor or at [www.sapphirescientific.com](http://www.sapphirescientific.com).

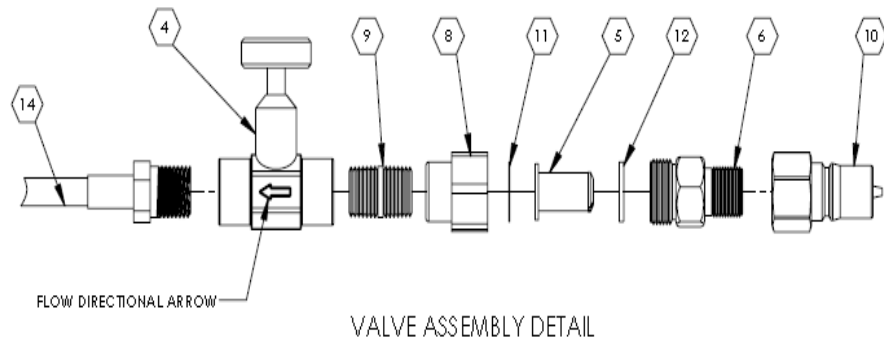
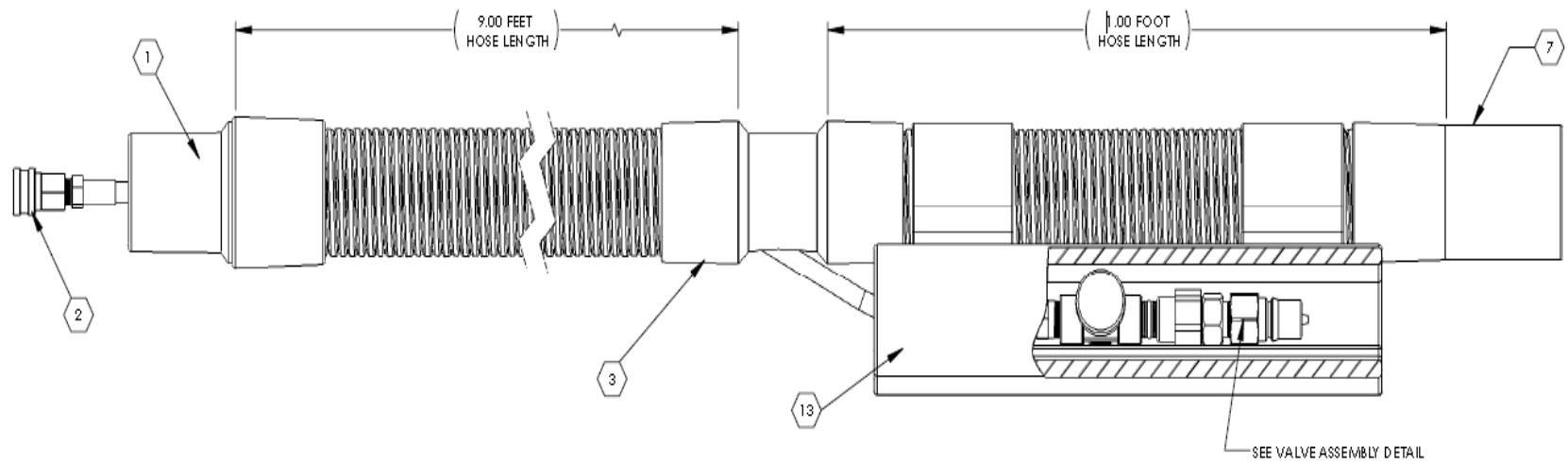
### Warranty registration

Visit [www.SapphireScientific.com](http://www.SapphireScientific.com) to register your purchase. Registration allows us to better assist you with

using, maintaining or servicing your equipment, as well as to contact you in case we have important safety information concerning your Sapphire Scientific product. If you determine service is required, have your equipment model, serial number and original proof of purchase available and call your distributor for assistance with obtaining a return material authorization (RMA).

## CONTACT

Sapphire Scientific  
2604 Liberator  
Prescott, AZ 86301  
800-932-3030 [www.sapphirescientific.com](http://www.sapphirescientific.com)

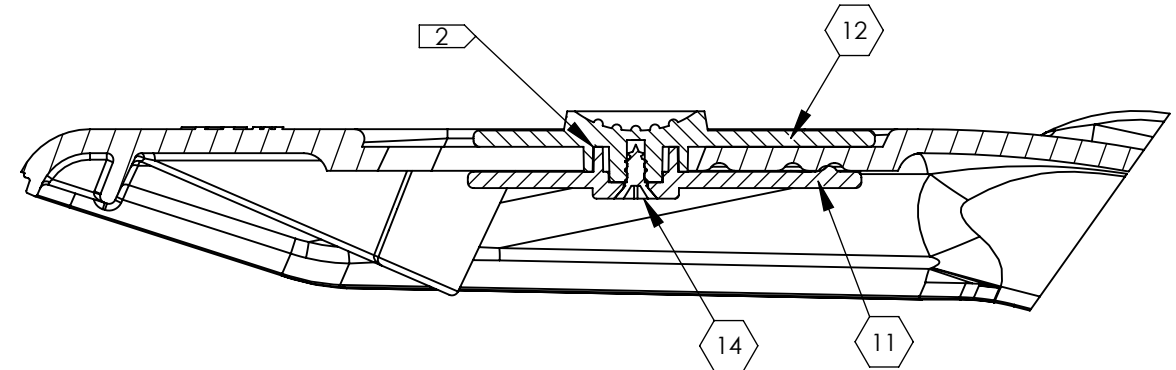
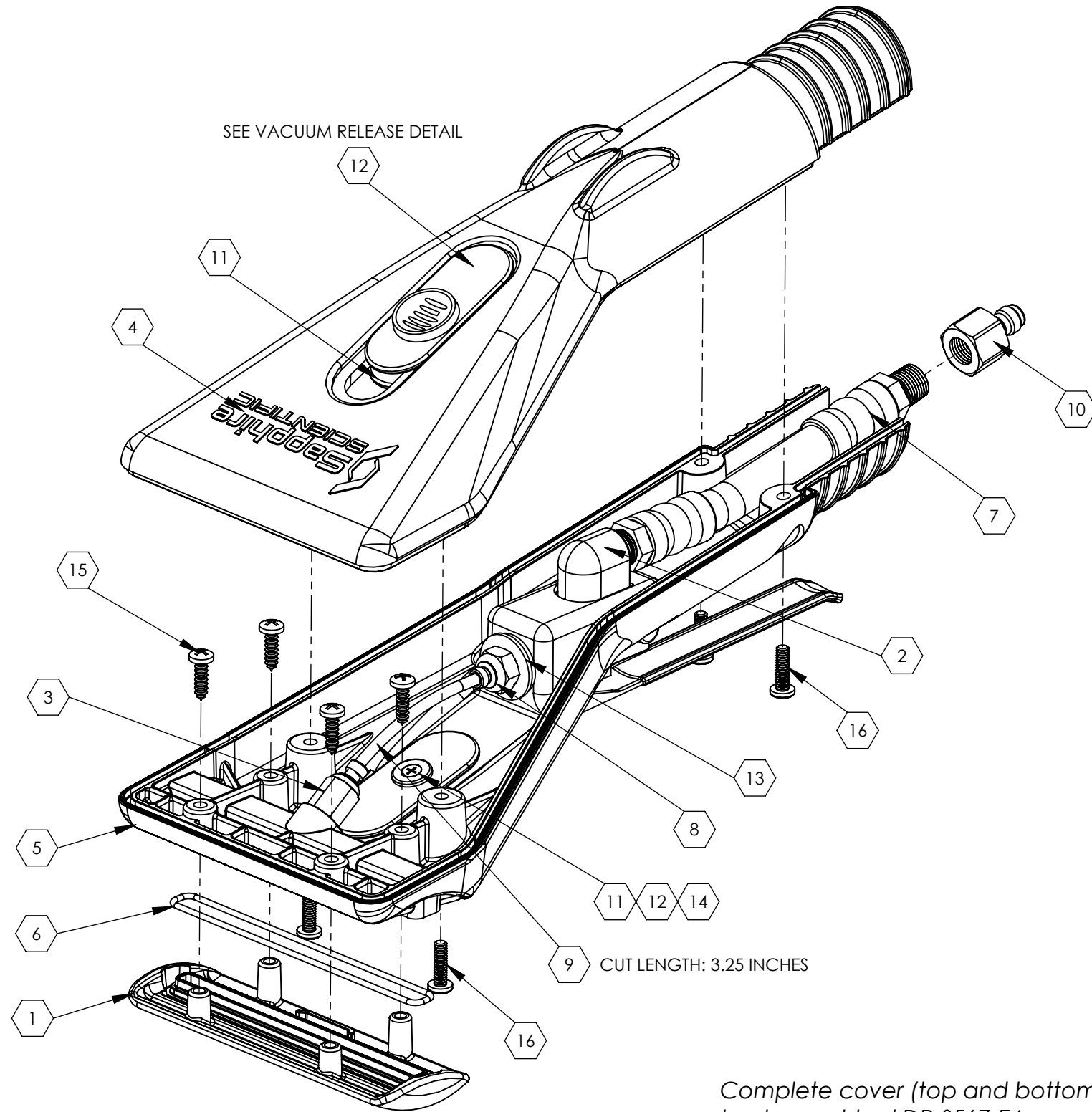


VALVE ASSEMBLY DETAIL

1	14	13-01693-01	HOSE ASSY - 3/16 ID X 1/8 NPT X 1/4 NPT X 9.5 FT LONG
1	13	13-01702	HOSE WRAP - INSULATED GREY NYLON WITH STRAPS
1	12	03-01652	WASHER - SPRAY TIP .51 ID X .63 OD X .06 NYLON
1	11	03-01648	ORIFICE - .057 DIAMETER SS
1	10	03-01647	FITTING - DIS C 1/4IN X 1/4IMP BRASS
1	9	03-01644	NIPPLE - 1/4 NPT BRASS
1	8	03-01645	FITTING - CONN 1/4 FNPT X 11/16 FB BRASS
1	7	13-01701	HOSE ASSY - VAC ULM 1.50 DIA X 1 FT WITH CUFF
1	6	03-01646	FITTING - CONN 1/4 NPT X 11/16 B BRASS
1	5	03-01649	STRAINER - JET 50 MESH
1	4	13-01698	NEEDLE VALVE - 1/4 FNPT X 1/4 FNPT HIGH PRESSURE BRASS
1	3	13-01697	COUPLING - 1-1/2 HIDE A HOSES CREW ON VINYL B LK
1	2	03-01641	COUPLING - 1/4 QUICK DIS CONNECT X 1/8 FNPT BRASS
1	1	13-01700	HOSE ASSY - VAC ULM 1.50 DIA X 10 FT WITH SWIVEL CUFF
QTY	ITEM	PART NO.	DESCRIPTION

This drawing and the information contained thereon is proprietary to DRI-EAZ PRODUCTS, INC. and shall not be released to any party without the express written consent of DRI-EAZ.

REVISIONS				
REV	ECO	DESCRIPTION	CHG'D	DATE
A	1578	QTY OF 13-01692 WAS .25 FT; RELEASE TO PRODUCTION	LW	4/14/10
B	1632	03-01668 (ITEM 6) WAS 03-01637	LW	10/27/10



VACUUM RELEASE DETAIL (TYP 2 PLACES)

Complete cover (top and bottom) for portable and truckmount tool DP-S567-EA

NOTES:

- APPLY THREAD SEALING COMPOUND ON ALL NPT THREADS
- APPLY INSTANT ADHESIVE (LOCTITE 454 OR EQUIV) ALL AROUND BOTTOM OF RECESSED POCKET AND SECURE WITH SCREW. AVOID EXCESS GLUE OVERRUN
- BUBBLE TEST ALL FITTINGS USING COMPRESSED AIR

QTY	ITEM	PART NO.	DESCRIPTION
	4	16	03-01655 SCREW - #6-32 X 1/2 PHP SS
	4	15	03-01654 SCREW - #6 X 1/2 AB PHP SS
	2	14	03-01653 SCREW - #4 X 1/4 AB PHIL CH SS
	1	13	03-01642 WASHER - SEALING 3/8 X 3/4 OD SS/NEOPR
	2	12	13-01686 VACUUM RELEASE - TOP ACETAL BLK
	2	11	13-01687 VACUUM RELEASE - BOTTOM ACETAL BLK
	1	10	03-01638 COUPLING - 1/4 QUICK DISCONNECT NIPPLE X 1/8 F NPT SS
(A)	.27 FT	9	13-01692 HOSE - 1/8 OD X .023 WALL ETFE
	1	8	03-01640 FITTING - 1/8 NPT X 1/8 OD PUSH TO CONNECT
	1	7	13-01691 HOSE ASSY - 3/16 DIA 1/8 NPT X 1/8 NPT X 5.50 LONG
(B)	1	6	03-01668 O-RING - 2.239 ID X 2.379 OD X .07 THK VITON
	1	5	13-01683 BODY - BOTTOM HALF UPHOLSTERY TOOL NYLON FISHER BLU
	1	4	13-01682 BODY - TOP HALF UPHOLSTERY TOOL NYLON FISHER BLU
	1	3	03-01639 FITTING - #10-32 X 1/8 OD PUSH TO CONNECT
	1	2	13-01690 VALVE ASSY - PMF V4N WITH TRIGGER
	1	1	13-01684 MANIFOLD - UPHOLSTERY TOOL ACETAL BLK

LIST OF MATERIALS

UNLESS OTHERWISE SPECIFIED: ALL DIMENSIONS ARE IN INCHES [mm] TOLERANCES: 1 PLC. = ±.1 [2.5] 2 PLC. = ±.03 [.75] 3 PLC. = ±.010 [.25] 4 PLC. = ±.0050 [.125] ANGULAR = ±1°	THIRD ANGLE PROJECTION			DRI-EAZ PRODUCTS INC. 15180 JOSH WILSON RD BURLINGTON, WA 98233 PH: (360) 757-7776	
				TITLE: <b>HEAD ASSEMBLY (UPHOLSTERY PRO)</b>	
DR BY: LW	DATE: 1/11/10	SIZE: B	NEXT ASSEMBLY: F436	REV: B	DWG NO. 13-01688
CHK'D BY: RP	DATE: 1/11/10	SCALE: 1:1.5 SHEET 1 OF 1			