

CLEAR BELT COVER

Part #7214

- General cleaning
- Air Intake Nozzle
- Turbine Assembly

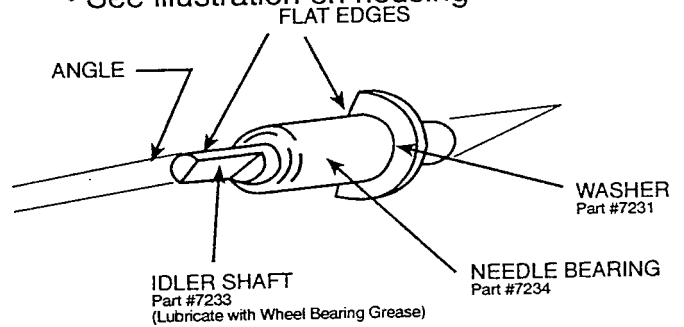
MODIFIED SHAFT

- Designed to prevent belt breakage
- Should a sudden stop of the brush occur, the belt will ride onto a smooth step on the turbine drive shaft.

NEEDLE BEARING

Part #7233, #7234 & #7231

- Screw under needle bearing must be removed to take off housing.
- Needle bearing seats at an **angle**.
- Flat side of **washer** to **rear**.
- Flat side of **idler** shaft to **front**.
- See illustration on housing



DATE CODE:
FIRST 2 NUMBERS
ARE THE YEAR.
SECOND 2 NUMBERS
ARE THE WEEK.
EX. 9006 IS 6TH WEEK
OF 1990

BELT &
BEARING
ILLUSTRATION

BELT

Part #7227-01

- Belt should twist to right
- see illustration on housing.

BELT SHROUDS

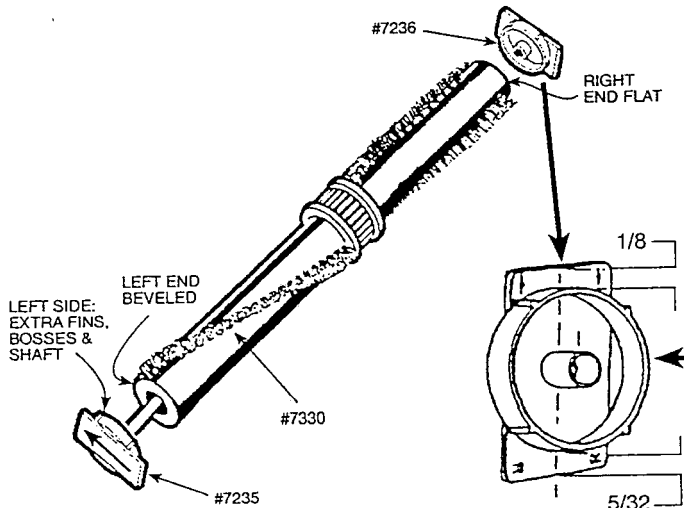
Part #7331, #7332

- Upper & Lower Shrouds.
- Prevents belt contamination
- Designed to fit around sprocket & protect the drive belt.

SHAFT SUPPORT

Part #7235 & #7236

- Shaft Support is 1/32" off center
- When installing new belt - **Arrows** on both shaft supports must point to **rear wheels**.



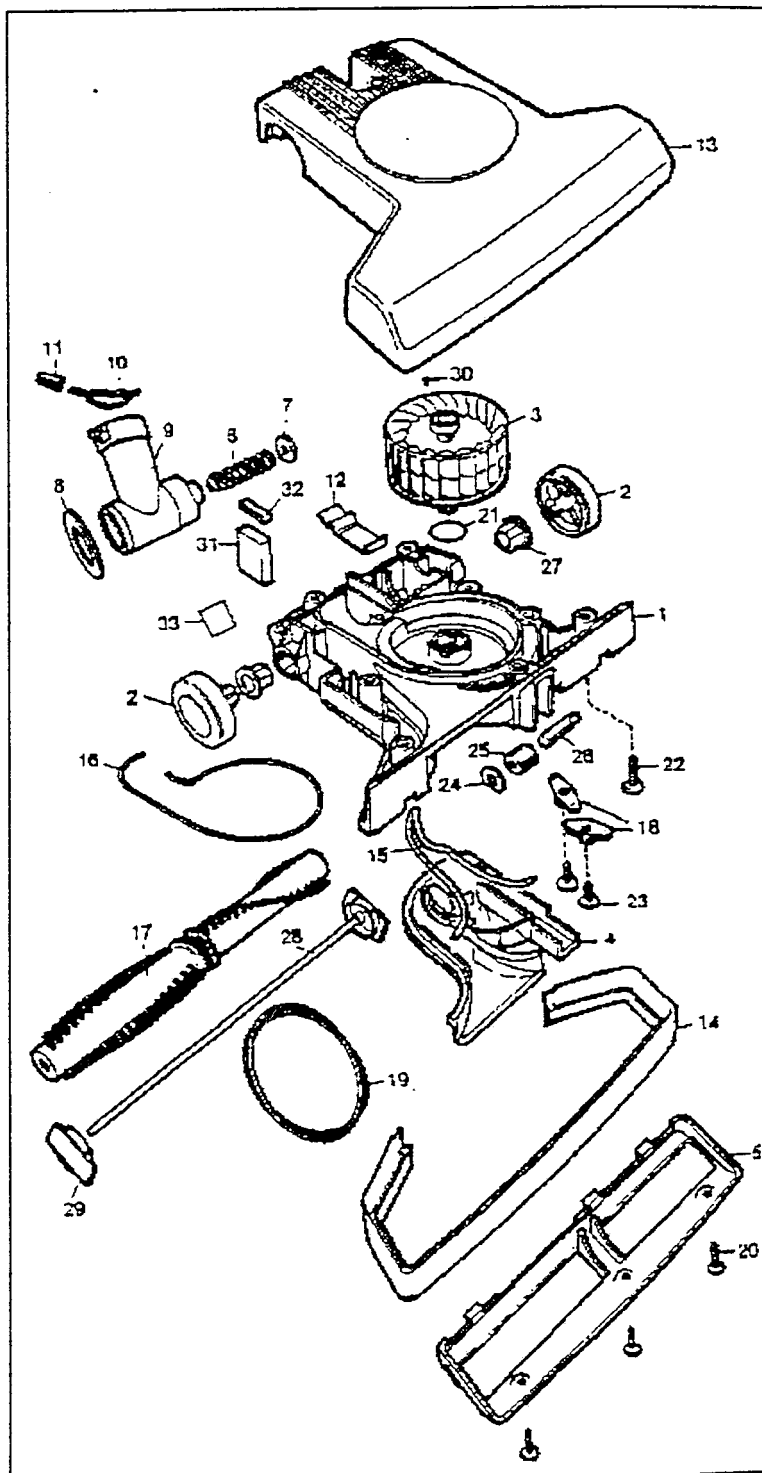
Ultra T210®

TURBINE POWERHEAD

EDGE CLEANING

PART NO. 7210
REPLACEMENT PARTS - U.S.A.

ITEM	DESCRIPTION	PART NO.	LIST PRICE EA.	NET PRICE EA.
1	Lower Housing	7211-02	\$9.58	\$4.31
2	Wheel	7212-02	1.64	.74
3	SA Turbine	7213	21.93	9.87
4	Belt Cover	7214	3.04	1.37
5	Base	7215	8.91	4.01
6	Compr. Spring	5958	.44	.20
7	Washer	5974	.44	.20
8	Washer, Elbow Seal	5971	1.26	.54
9	*Elbow	7216-02	7.67	3.45
10	Spring Wand	5966	1.61	.72
11	Retainer/Cap	7217-02	.79	.35
12	Spring, Latch	7218	1.44	.65
13	SA Tophousing	7221	11.56	5.20
14	*Bumper	7222-01	3.04	1.37
15	Seal (Large)	7223	.48	.22
16	Seal (Small)	7224	.79	.35
17	SA Brush	7225	29.82	13.42
18	T Latch(2)	7226	.65	.29
19	Belt	7227	2.49	1.12
20	Screw Base (3)	7228	.44	.20
21	O-Ring	7229	.44	.20
22	Screw (9)	5944	.44	.20
23	Screw, T Latch (2)	7230	.44	.20
24	D-Washer	7231	.44	.20
25	Bearing, Needle	7234	2.09	.94
26	Idler Shaft	7233	2.22	1.00
27	Sleeve, Flange (2)	7232	.92	.42
28	SA Shaft Supt.	7235	5.92	2.66
29	RT Shaft Supt.	7236	.79	.35
30	Rubber Plug	7237	.44	.20
31	Ballast WT (2)	7238	2.15	.97
32	Foam Pad (2)	7239	.44	.20
33	Caution Label	7240	.48	.22
	Belt Shroud (upper)	7331	2.78	1.25
	Belt Shroud (lower)	7332	2.78	1.25
	Instr. Manual	HVS-825	—	—



*Note Part Number Changes

Part Numbers ending with -01 are Light Gray

Part Numbers ending with -02 are Dark Gray

PRICES AND SPECIFICATIONS ARE SUBJECT TO CHANGE WITHOUT NOTICE.

Prices are F.O.B. Factory

H-P Products, Inc.
512 W. Gorgas Street
Louisville, OH 44641
(216) 875-5556
FAX: (216) 875-7155

Revised 6/94

DGS/ajw



H-P PRODUCTS, INC.

512 West Gorgas St. • P.O. Box 3912 • Louisville, OH 44641-3912
216/875-5556 • FAX 216/875-7155

TurboCat II Warranty Policy

In order to minimize our selling prices to you, we will be monitoring our warranty policies and procedures more closely for 1996.

WE CAN NO LONGER ACCEPT RETURN PRODUCT THAT DOES NOT FALL WITHIN OUR POLICY GUIDELINES.

The TurboCat II Warranty covers manufacturers defects in material and workmanship. All components of the TurboCat II can be replaced and repaired in the field. Complete TurboCat II's should not be returned to H-P Products.

TurboCat II Warranties do not cover general cleaning or maintenance of the TurboCat II. As an OEM, it is your responsibility to educate your dealers on the proper care of the TurboCat II. The best time to do this is during the in-home product demonstration.

The following is a list of the most common reasons for returns. However, these ***are not acceptable*** reasons for returning TurboCat II's.

Beginning February 1, 1996 we will no longer issue credit for the following reasons:

GENERAL CLEANING

It is the *consumer's* responsibility to clean the Turbine Brush Roller, the Turbine Assembly and the Air Intake Nozzle.

Turbine Brush Roller - Hair, Thread, Carpet String and Pet Hair become wound around the brush rollers. These need to be cleaned off occasionally to ensure highest performance of the TurboCat II. Cleaning the Brush Roller is relatively simple – your customer just needs to cut the string, etc. with a pair of scissors and pull it off the roller.

Air Intake Nozzle and Turbine Assembly - These two areas need checked periodically to make sure there is no obstruction in the turbine assembly area. The turbine should be able to spin freely. The Air Intake Nozzle should also be free of any obstructions.

REPLACEMENT BELTS

Belts are considered to be an expendable item. In other words, it is normal for them to wear out during routine day-to-day vacuuming.

The TurboCat II will not operate properly if the replacement belt is installed incorrectly. The Belt position is **CRITICAL** to performance. Be sure your customer knows how to replace the belt.

RUNNING SLOW

Frequently, we find that a slow running TurboCat II is not a turbine maintenance issue. Typically, the filter or bag system in the power unit or hose has accumulated debris that should be cleared to ensure maximum performance. It is important to instruct your customers where and how to maintain their system each time the dirt canister is emptied.

(OVER)