



***Pullman  
Ermator***

**OPERATING INSTRUCTIONS**

**Dust Extractor**

**T7500**

**T8600**

**READ ALL INSTRUCTIONS  
BEFORE USING**

# Introduction

Dear Customer.

Thank you for choosing Pullman-Ermator as your supplier.

We hope that the Pullman-Ermator dust extractor will be to your satisfaction and meet your expectations.

Pullman-Ermator has been manufacturing professional dust extractors since 1966 and has over the years acquired a genuine technical knowledge in this area. We strive to improve in our product segment and will continue to supply the market with new equipment.

Please feel free to browse information about our product programme on our web site [www.pullman-ermator.se](http://www.pullman-ermator.se).

## **Notice!**

**These instructions are only for the dust extractors T8600.**

**The dust extractors T8600 can only be used with dry, non-explosive material.**

**Pullman-Ermator will not be held responsible if the air cleaner is used for other applications or has been used in ways other than those outlined in this instruction manual.**

**Before using the machine, please read the safety regulations carefully.**

**Read the complete instruction manual before using the dust extractor.**

**All spare part used for the dust extractor T8600 must be those specified by Pullman-Ermator.**

## **Unpacking**

When unpacking the machine, please check for damage and that the following accessories are included:

- The hose with end fittings
- Steel tube
- Floor nozzle

If any of above-mentioned parts are missing, please contact your local distributor or our sales representative.

## **Safety Instructions**

### **Handling**

#### **Warning**

- Cables damaged through crushing or splitting can be dangerous if used and should be replaced immediately. Risk of personal injury.

#### **Warning**

- Do not connect the machine to an unearthed socket. Risk of personal injury.

#### **Warning**

- Make sure the assembly area is firm, so the dust extractor does not tip over. Risk of personal and material injury.

#### **Warning**

- Risk of pinching when handling the toggle fastener.

#### **Warning**

- The machine must not be used in environments where explosive gases may be present. Serious risk of explosion.

## **Service**

#### **Warning**

- Remove the plug from the wall socket when carrying out maintenance work. Risk of personal injury.

#### **Warning**

- Dust can be spread when the coarse filter and the absolute filter are replaced that can be dangerous to health. Accordingly, the user should wear protective glasses, protective gloves, and a breathing mask conforming to protection class FFP3.

#### **Warning**

- Do not puncture the absolute filter. Risk of dust dispersion.

## Function

**The machine is used for sucking and separating dry, non-combustible dust with an explosion limit value of  $>0.1\text{mg/m}^3$ .**

The motor is started by the switch. Dust laden air is then sucked through the inlet valve at high speed via the suction hose. The air is slowed down by the cyclone and coarse dust particles are separated out, partly by centrifugal force and partly by gravity. Air and finer particles then pass through the tube filter where separation takes place. The machine is designed for filter cleaning by reverse air pulse.

The separated dust accumulates in the cyclone until the machine is switched off, when it drops through the bottom flap into the plastic bag.

### Warning

Before starting the machine, check that the inlet valve is in the lower position.

## Use

Before use, the user must be trained in the handling of the dust extractor and the hazardous dust.

### Warning

Connect the electric plug to a power outlet with the correct voltage, see the nameplate.

The filter must be cleaned from time to time. This must be done before changing the plastic bag. It can also be done when the work is complete or when there is poor suction.

Procedure: Unplug the hose so that the inlet is covered. Cover the intake of the overpressure valve (placed between the two hoses connecting the main tank and the cover for the micro filters), let the machine build up vacuum for a few seconds then quickly push down on the top handle and release it slowly. Repeat this procedure 5-10 times. If suction remains poor, the filter should be replaced. The plastic bag may only be replaced after cleaning the filter.

The plastic bag must be tied up after removal. Only use original parts.

## Filter change

**Risk of dust dispersion - Use of personal safety equipment**

**Unhealthy dust can be spread during filter change. Accordingly, the user should wear protective glasses, protective gloves, and a breathing mask conforming to protection class FFP3.**

**WARNING: Switch off the machine and pull the plug out of the socket.**

### Main filter

Loosen the two latches between the tank and the lower cyclone. Loosen the two latches at the hose connection between the tank and the absolute filter cover. Rotate the tank forwards. Rotate the filter plate counter clockwise 10 degrees and carefully turn filter and holder upside down. Place a plastic bag over the filter unit. Lift the filter carefully and pinch up the bag by hand and then tie the bag up. This bag must be properly disposed of.

Insert a new complete filter pack in reverse order. Only original filters may be used.

### Absolute filter

Loosen the three latches holding the filter cover and carefully lift the filter up and into a plastic bag. This bag must be properly disposed of. Insert new filters in reverse order.

## Service

### **WARNING**

**Before cleaning and servicing the machine, you must switch the machine off and pull out the plug from the outlet.**

- Avoid cleaning with a high pressure cleaner. If necessary, do not direct at the openings on the machine, especially the opening for the cooling air.
- Before moving the machine from the working area, the machine must be cleaned. Furthermore, the inlet must be locked using the expanding plug attached.
- All other equipment must be considered to be contaminated and be treated thereafter.
- If possible, use a special suitable room.
- Proper personnel protective equipment must be used.
- After a service, all parts that are contaminated must be taken care of properly in plastic bags, according to all regulations.
- If the vacuum cleaner has to be used for other purposes, it is extremely important that the vacuum cleaner is cleaned to avoid the spread of hazardous dust.

## Accessories

<b>Part.no.</b>	<b>Description</b>	<b>No./machine</b>
200600596	Complete filter set	1 pcs
200600595	MF5500 HEPA filter	2 pcs
1337032	Cleaning set	1 pcs
1376013	Longopac (4-pack).	1 pcs

For other spare parts, see the enclosed spare parts list.

## Warranty

All Pullman-Ermator devices and accessories have a 12-month factory warranty for material and manufacturing defects. The warranty extends to 36 months when returning the attached warranty slip. Do not attempt to repair the suction apparatus without the consent of the manufacturer.

The warranty does not cover defects which are the result of normal wear and tear, negligence, defective use, unauthorised repair or the suction apparatus being connected to the incorrect voltage.

In the event of any complaint, the suction apparatus or an agreed part of it must be returned to us or our authorised representative for warranty examination and for any warranty repair or replacement.

## Problem solving

The dust extractor T8600 is designed and manufactured for severe environments and tasks, but the user must note that the machine components must be protected from knocks and blows. Filter and sealing connections are carefully chosen for the environment of the operator. Therefore, the machine must be handled with care if it is to work correctly for many years.

<b>Problem</b>	<b>Cause</b>	<b>Procedure</b>
Motor does not start	No power Switch defective	Connect the machine Change
Motor stops immediately	Wrong fuse	Connect the correct fuse
Motor runs but there is no suction	Hose not connected Hose blocked No plastic bag	Connect the hose Clean the hose Install plastic bag
Motor runs but suction is poor	Damage to the hose Blocked filter Top cover loose Dirt in the flap Sealing defective	Change hose Change filter Adjust Clean the flap. <i>Use protective equipment</i> Change current seal
Dust blows from motor	Defective or loose filter	Adjust or change
Abnormal noise		Order service

**SAVE THESE INSTRUCTIONS!**

# TECHNICAL DATA

		T7500	T8600
VOLTAGE		230 VAc, 3-fas 60Hz	480 VAc-3fas 60 Hz
POWER		7500 W	8600W
MAX AIR FLOW	CFM	353	353
MAX VACUUM	H2O Inch	110	110
HOSE		33 feet x Ø 3"	133 feet x Ø 3"
INLET		Ø 3"	Ø 3"
FINE FILTER		>99.5% Filter area 25 ft <sup>2</sup>	>99.5% Filter aere 25 ft <sup>2</sup>
HEPA FILTER		HEPA H13 Filter area 54 ft <sup>2</sup>	HEPA H13 Filter area 54 ft <sup>2</sup>
SOUND LEVEL		74 dB(A)	74 dB(A)
PLASTIC BAG SYSTEM		Longopac	Longopac
DIMENSION LxBxH		49x27x69 in	49x27x69 in
WEIGHT		417 pound	417 pound

**OM ÖVERENSSTÄMMELSE  
DECLARATION OF CONFORMITY  
DECLARATION DE CONFORMITÉ  
ERKLÄRUNG DER ÜBERSTIMMUNG  
SAMSVARSERKLØRING**

**Pullman Scandinavian AB  
Industrivägen 10  
S-777 34 SMEDJEBACKEN**

*Försäkrar under eget ansvar att maskinen  
Declare under our sole responsibility that the machine  
Certifie sous sa propre responsabilité que le produit ciaprès  
Versichern auf eigener verantwortung, dass das Produkt  
Forsikrer under eget ansvar at maskinen*

**T7500  
T8600**

**Nr./No: 0700492c0001-  
Nr./No: 0600403a0001-**

**Tillv.år/Manufact.year/Baujahr: 2006-**

*som omfattas av denna försäkring är i överensstämmelse med standarder:  
included in this declaration, follows the provisions of the:  
est conforme aux aux normes suivantes:  
den folgenden Normen entspricht:  
er i overensstemmelse med standarder:*

**SS-EN 292-1, SS-EN 60 204-1 (1993.11.30)  
SS-EN 55011:1989  
SS-EN 50082-1  
SS-EN 60335-1, SS-EN 60335-2-69 & A1**

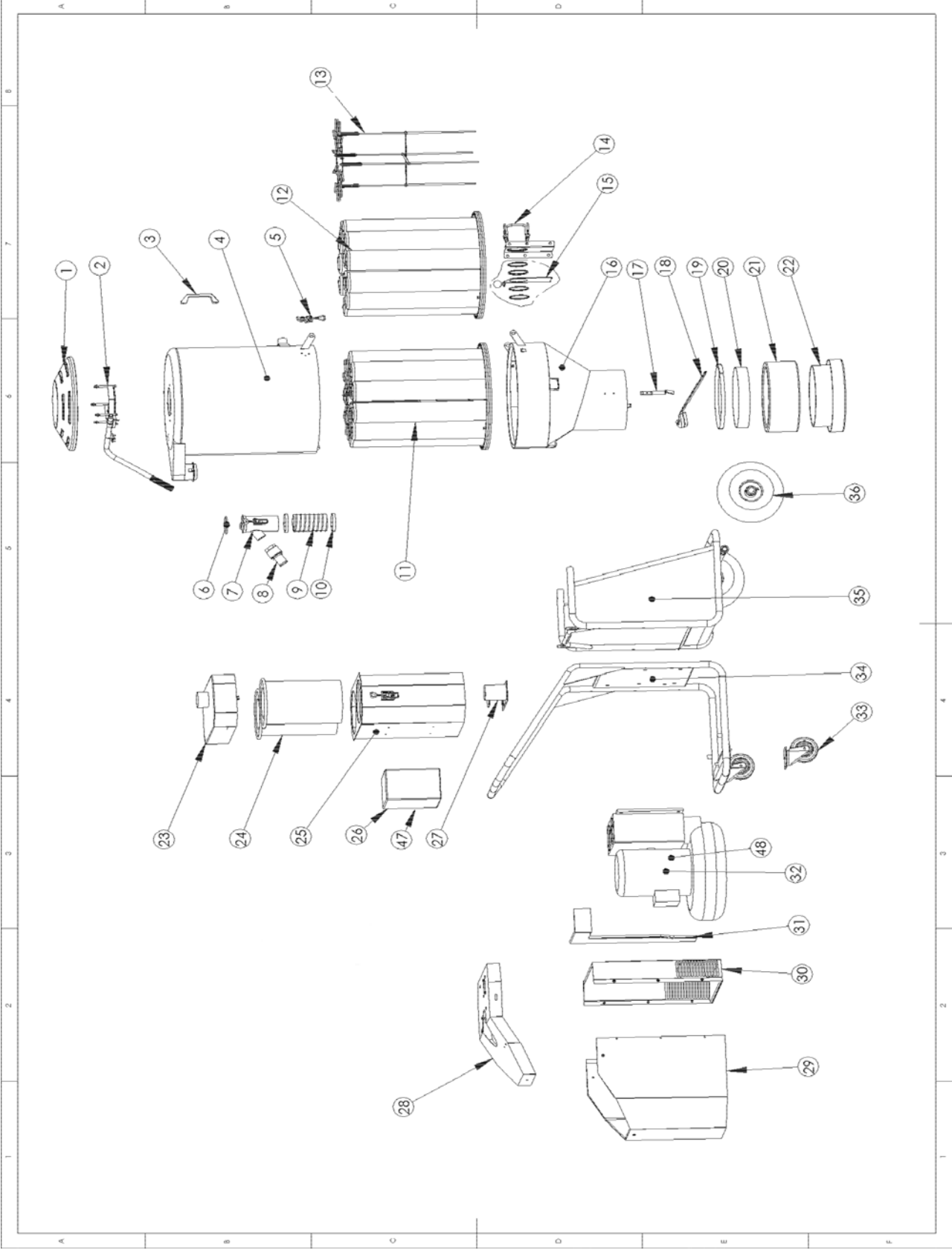
*enligt villkoren i/according to/selon/aut/i henhold til vilkårene i*  
**Machine Directive 98/37/EEG  
Low Voltage Directive 73/23/EEG  
EMC Directive 89/336/EEG**

SMEDJEBACKEN 2006.01.01

**Torbjörn Bengtsson**  
VD  
General Manager



**Exploded view T7500/T8600**



### Spare parts list T7500/T8600

Pos	Antal/ Qty	T8600	Benämning / Description
1	1	200600656	Top cover
2	1	200600655	Filter cleaning unit
3	1	200600658	Handle
4	1	200600657	Tank complete
5	5	200600606	Excentric lock kit
6	1	1351239	O-ring
7	1	80830	Air regulator tube
8	1	80683	Valve
9	0.15	1332039	Hose
10	2	1357072	Hose clamp.
11	1	200600596	Filter package complete
12	1	200600618	Filter kit
13	1	200600612	Filter stretcher
14	1	200600653	Hose connection
15	1	200600652	Valve incl. gasket
16	1	200600620	Lower tank complete
17	2	200600654	Holder kit
18	1	200600621	Flap complete
19	1	1371001	Belt
20	1	1351162	Anti skid
21	0,25	1376013	Longopac
22	1	200600536	Holder for longopac
23	1	200600716	Cover filter holder
24	2	200600605	HEPA filter kit
25	1	200600715	HEPA filter holder
26	1	1262009	Electrical box 7,5kW 230V 60HZ
27	1	200600718	Fan hold complete
28	1	200600717	Cover complete
29	1	200600712	Sweep complete
30	1	200600714	Back cover complete
31	1	200600713	Exhaust plate complete
32	1	200900046	SCA40-750T FAN, 3x208V
33	2	25320	Wheel
34	1	200600719	Wagon back
35	1	200600720	Wagon front
36	2	200600721	Wheel
37	1	200700186	Bolt kit
38	1	1232009	H76/10 Hose complite
39	1	200600101	Hose connection female
40	1	200600100	Hose connection male
41	1	1225083	HR51/7.5 Hose complete
42	2	1335011	Fitting A51B
43	1	8077	Reduction tube 76-50
44	1	1224035	Handle, 2 part
45	1	1326087	Floor tool
46	1	1340004	Rubber blade
47	1	1262010	Electrical box 8.6 kW 480V 60HZ
Revision 48	1	5352003	SCA40-860T FAN, 3x480V

**Pullman-Ermator AB**  
**Industrivägen 10**  
**777 34 Smedjebacken**  
**Tel: +46 (0)240 66 09 60**  
**Fax: +46 (0)240 66 30 60**  
**Email: [info@pullman-ermator.se](mailto:info@pullman-ermator.se)**

