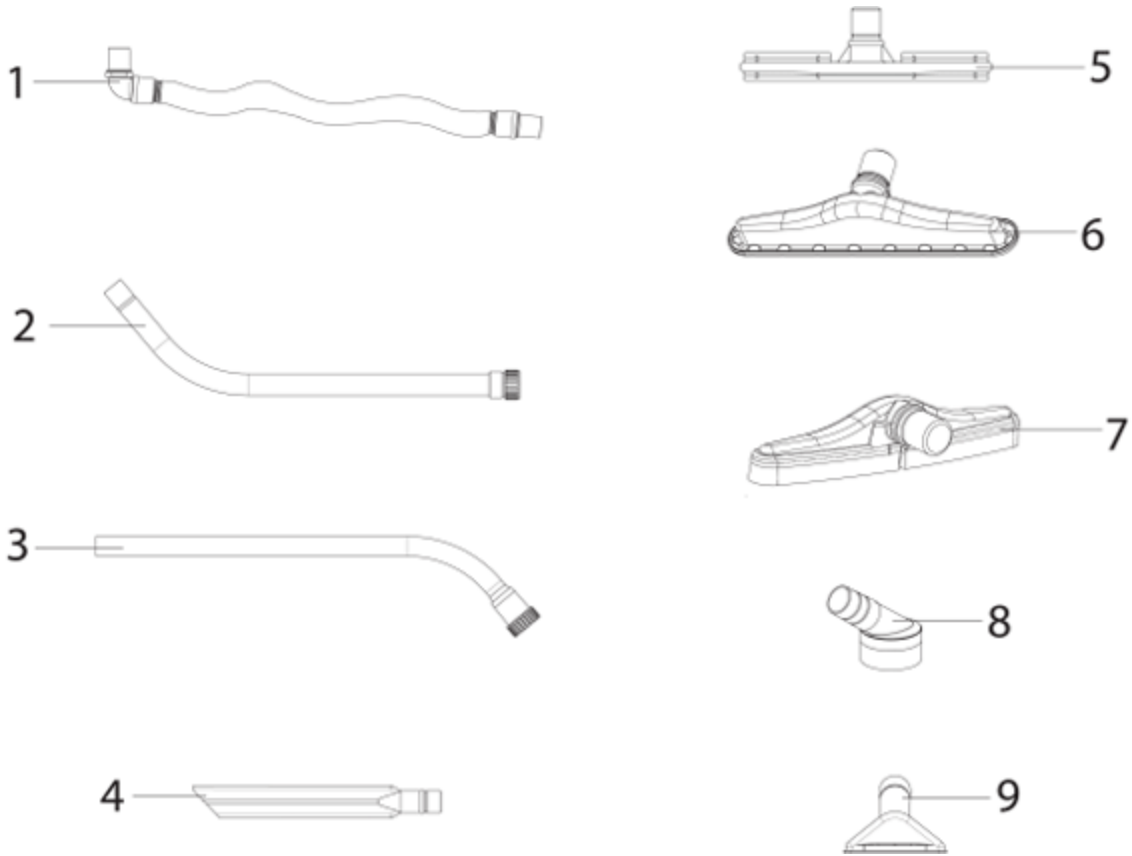
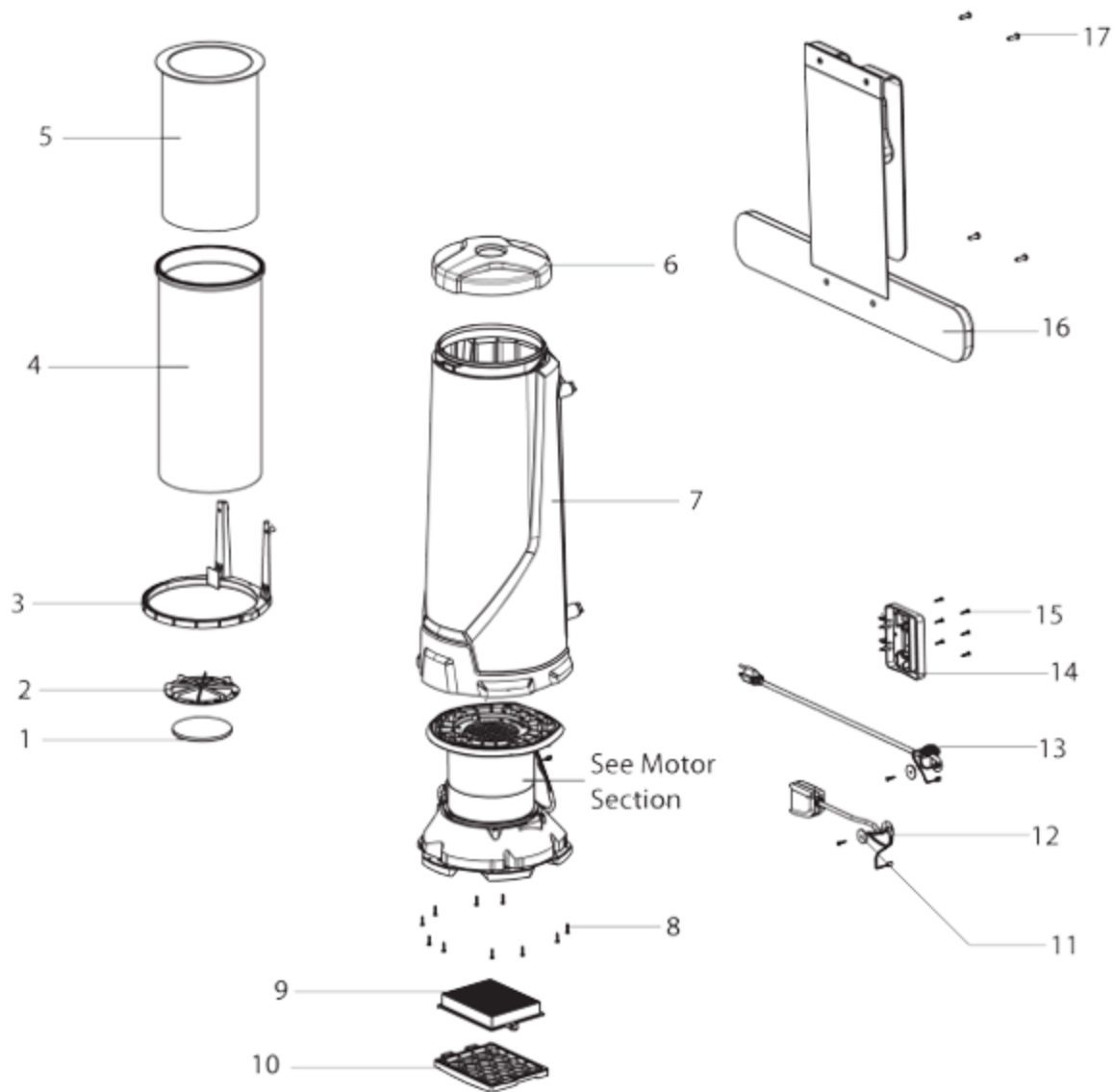


## SC545A

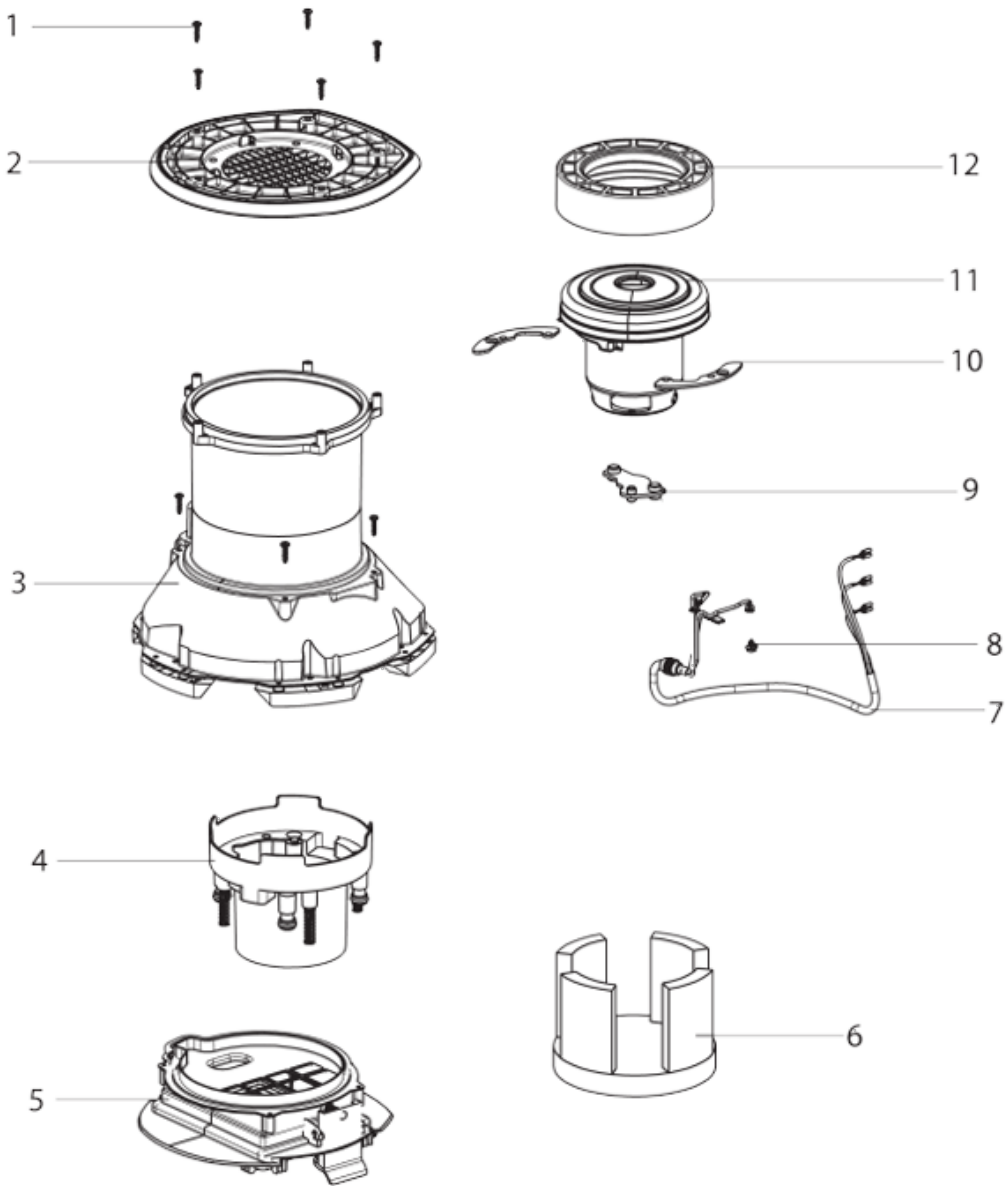


1. Hose Assembly **86527**
2. Upper Wand Assembly **86508**
3. Lower Wand Assembly **86509**
4. Crevice Tool **86518**
5. Floor Tool **C352-4400A**
6. Carpet Nozzle **B352-4201**
7. Bare Floor Nozzle **C352-4400**
8. Dusting Brush Assembly **86520**
9. Upholstery Tool **86517**
- xx. Cord - Extension (50Ft) **76224**



- 1. Filter - Pre-Motor **86619**
- 2. Cover - Pre Motor Filter **86264-119N**
- 3. Support - Housing **86315-119N**
- 4. Bag - Micro Fiber Filter **86261**
- 5. Sanitaire Bv-3 Bag **62135**
- 6. Cover - Housing **86255-119N**
- 7. Housing Assembly **86254**
- 8. Screw Package **16219-1**
- 9. Filter - "H" Series **39938-9**
- 10. Hepa Filter Cover **86337-355N**

- 11. Washer - Fiber **74178**
- 12. Power Switch Assembly **86366**
- 13. Supply Cord Assembly **86285**
- 14. Terminal Block Assembly **86259**
- 15. Screw Package **16219-1**
- 16. Harness Assembly **86534**
- 17. Screw Package **16219-3**
- xx. Cord Holder **86851**



- 1. Screw Package **16219-1**
- 2. Motor Mount Plate &Gasket **86263**
- 3. Motor Cylinder Housing As **87140**
- 4. Motor Piston Housing Asse **87141**
- 5. Filter Holder Assembly **87139**
- 6. Sound Absorber **86256**
- 7. Cord - Jumper Assembly **86271**
- 8. Description Unavailable **345537**

- 9. Motor Isolator **86272-119N**
- 10. Dampener - Motor **86371-119N**
- 11. Mtr: Boxed 440.3.607 120V **140362**
- 12. Gasket - Motor Can **86273**