

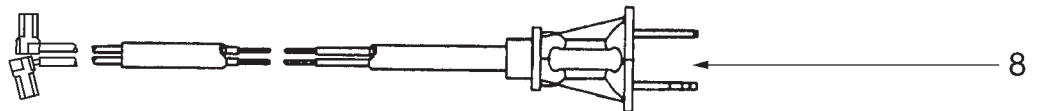
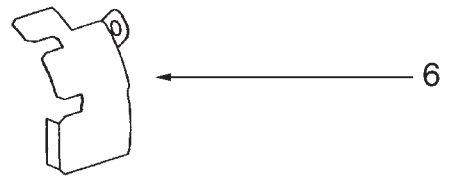
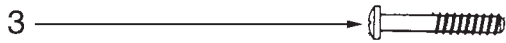
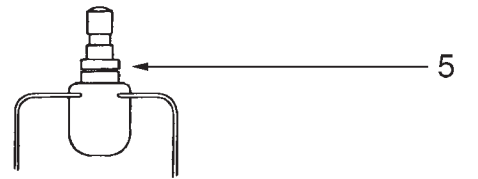
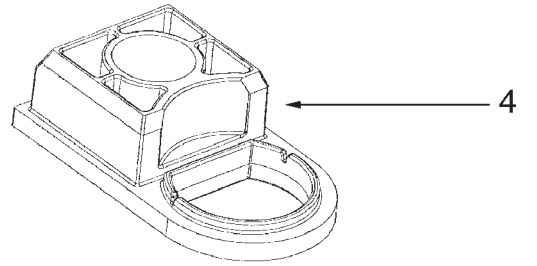
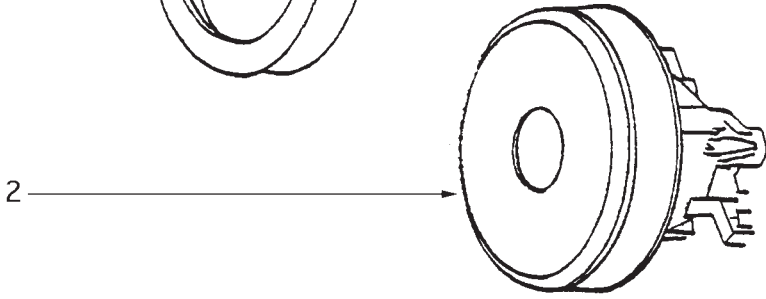
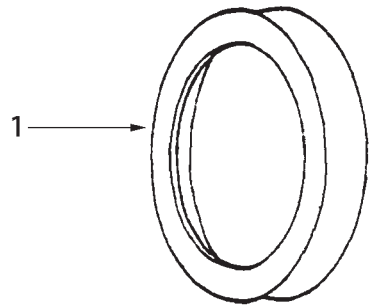
- | | | |
|----|-------------|---------------------------|
| 1. | 60487-27 | HOUSING ASSEMBLY* |
| 2. | 59046-1 | FRONT COVER GASKET |
| 3. | 38956-1SV | FRONT COVER ASSEMBLY** |
| 4. | 38805-1 | CASTER ASSEMBLY*** |
| 5. | 37409-1 | WHEEL & HUB ASSEMBLY |
| 6. | 28008B-4 | REAR HOUSING ASSEMBLY**** |
| 7. | 15409A-119N | REAR WHEEL |
| 8. | 27964-119N | EXTENSION TUBE |
| 9. | 38333 | FILTER |

* INCLUDES ITEMS 4 & 5

** INCLUDES ITEMS 2 & 8

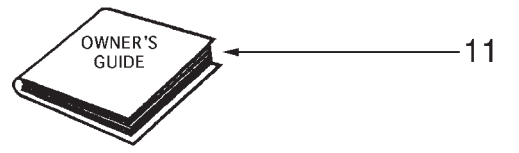
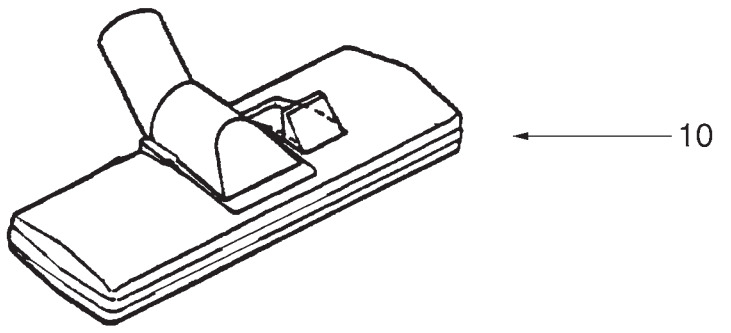
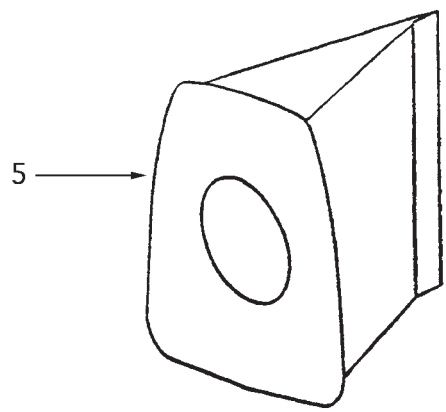
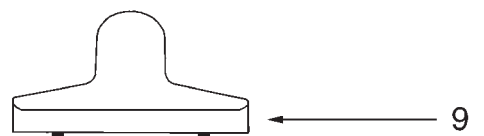
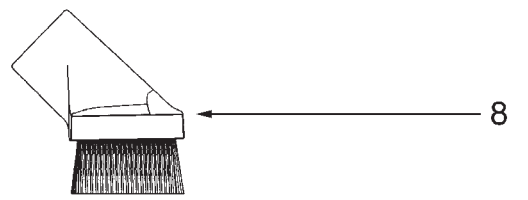
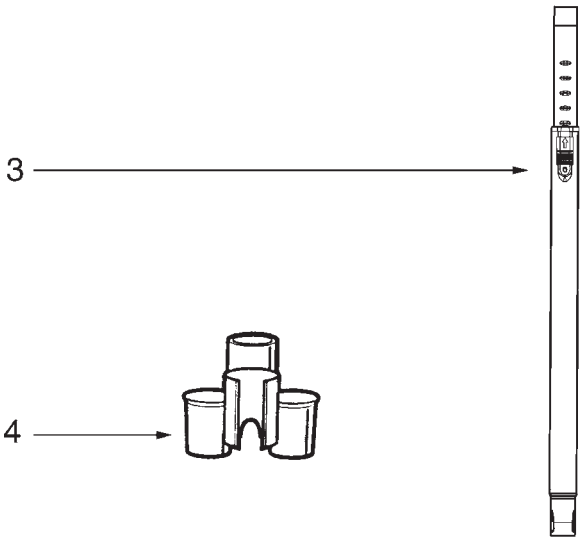
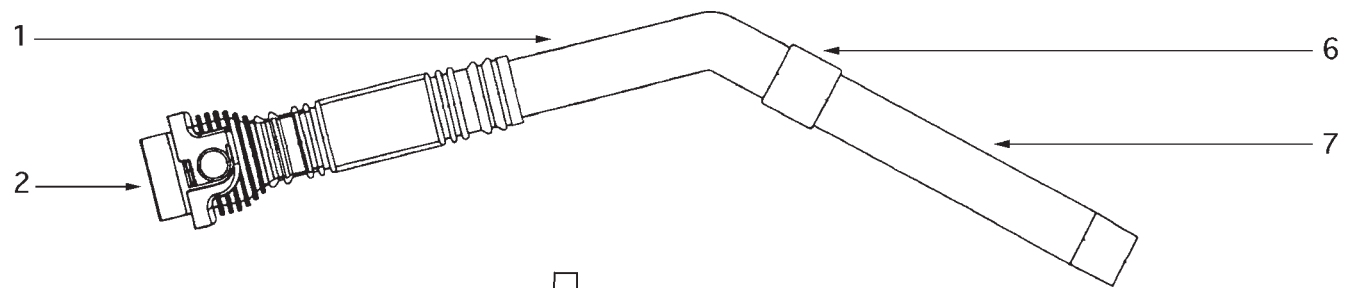
*** INCLUDES ITEM 5

**** INCLUDES ITEM 7



- | | | |
|----|----------|--------------------------------|
| 1. | 28261 | MOTOR MOUNTING GASKET |
| 2. | 60865-5 | MOTOR ASSEMBLY* |
| 3. | 60610 | SCREW - pkg of 10 |
| 4. | 28050 | MOTOR BUSHING |
| 5. | 28304A-2 | SWITCH ASSEMBLY |
| 6. | 39028 | WIRE SHIELD |
| 7. | 39408-2 | THERMOSTAT & TERMINAL ASSEMBLY |
| 8. | 39409-5 | CORD & TERMINAL ASSEMBLY |

* INCLUDES ITEM 7



- | | | |
|-----|------------|--------------------------------------|
| 1. | 60289-1 | HOSE ASSEMBLY COMPLETE* |
| 2. | 15355-119N | HOSE COUPLING |
| 3. | 39514 | TELESCOPIC WAND |
| 4. | 54610 | CLIP & TOOL |
| 5. | 60295A | DISPOSABLE BAG (STYLE MM) - pkg of 3 |
| 6. | 37653-3 | BLEEDER |
| 7. | 26193-3 | CURVED HANDLE ASSEMBLY |
| 8. | 60290-1 | DUSTING BRUSH |
| 9. | 38284-3 | UPHOLSTERY NOZZLE |
| 10. | 38702-2 | FLOOR AND WALL BRUSH |
| 11. | 72095 | OWNER'S GUIDE |
| 12. | 27237-3 | CREVICE TOOL |

* INCLUDES ITEMS 2, 6 & 7

39402

