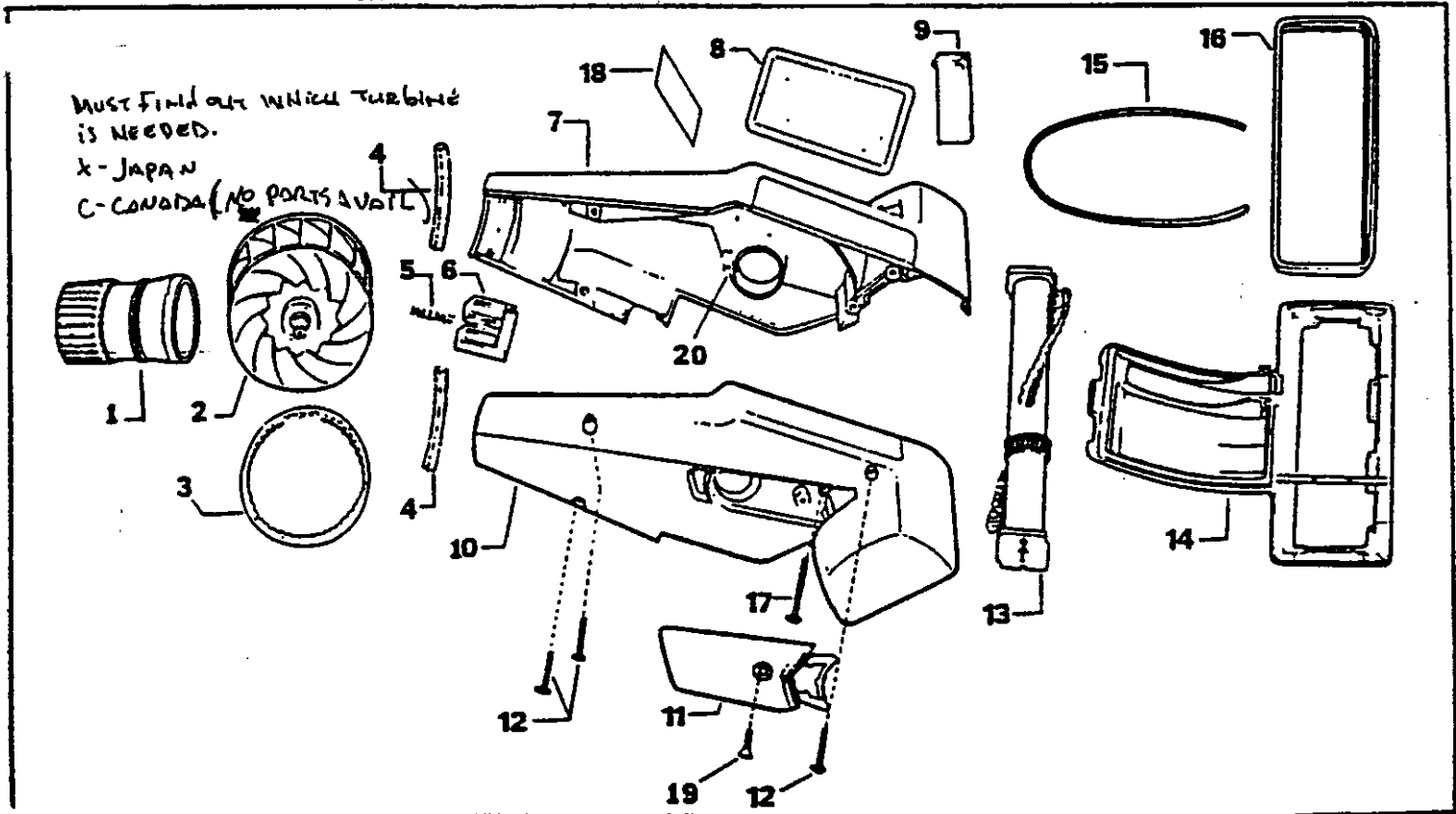


RugRat™

TURBINE POWER HAND BRUSH

Part No. 6971 & 6972
 REPLACEMENT PARTS - USA
 COLOR: Gray

Item No.	Description	Part No.	List Price Ea.	Net Price Ea.
1	Swivel	6321-2	2.26	1.02
2	Sub Assembly Turbine and Shaft	6322	14.77	6.65
3	Belt	6323	3.28	1.48
4	Swivel Seal (2 req.)	6324	.45	.20
5	Latch Spring	6325	.44	.20
6	Latch	6326-2	.85	.38
7	Housing, Assy. Half	6780-2	6.09	2.74
8	Label (RugRat)	7054-2	2.05	.92
9	Slide Valve	6328-2	.79	.35
10	Sub Assy. Housing Half/Belt Slide	6757-2	6.09	2.74
11	Belt Cover	6330-2	1.68	.75
12	Screw 6-19x.750(3 req.)	6331	.44	.20
13	Brush Assembly	6332	10.02	4.51
14	Base Plate with Gasket and Bumper	6755-2	10.43	4.69
15	Gasket (Available only with #6755-2)	6334		
16	Bumper	6335-2	1.37	.62
17	Screw 6-19x1.2 (1 req.)	6336	.44	.20
18	Caution Label	6304-2	.92	.42
19	Screw 6-19x.500(1 req.)	6339	.44	.20
20	Rubber Ring	6340	.35	.16



Prices and specifications are subject to change without notice.
 Prices are F.O.B. Factory.
 H-P PRODUCTS, INC.
 812 W. Gorgas Street
 Louisville, OH 44641
 (216) 875-5556
 FAX (216) 875-7155

5/1/91

MS