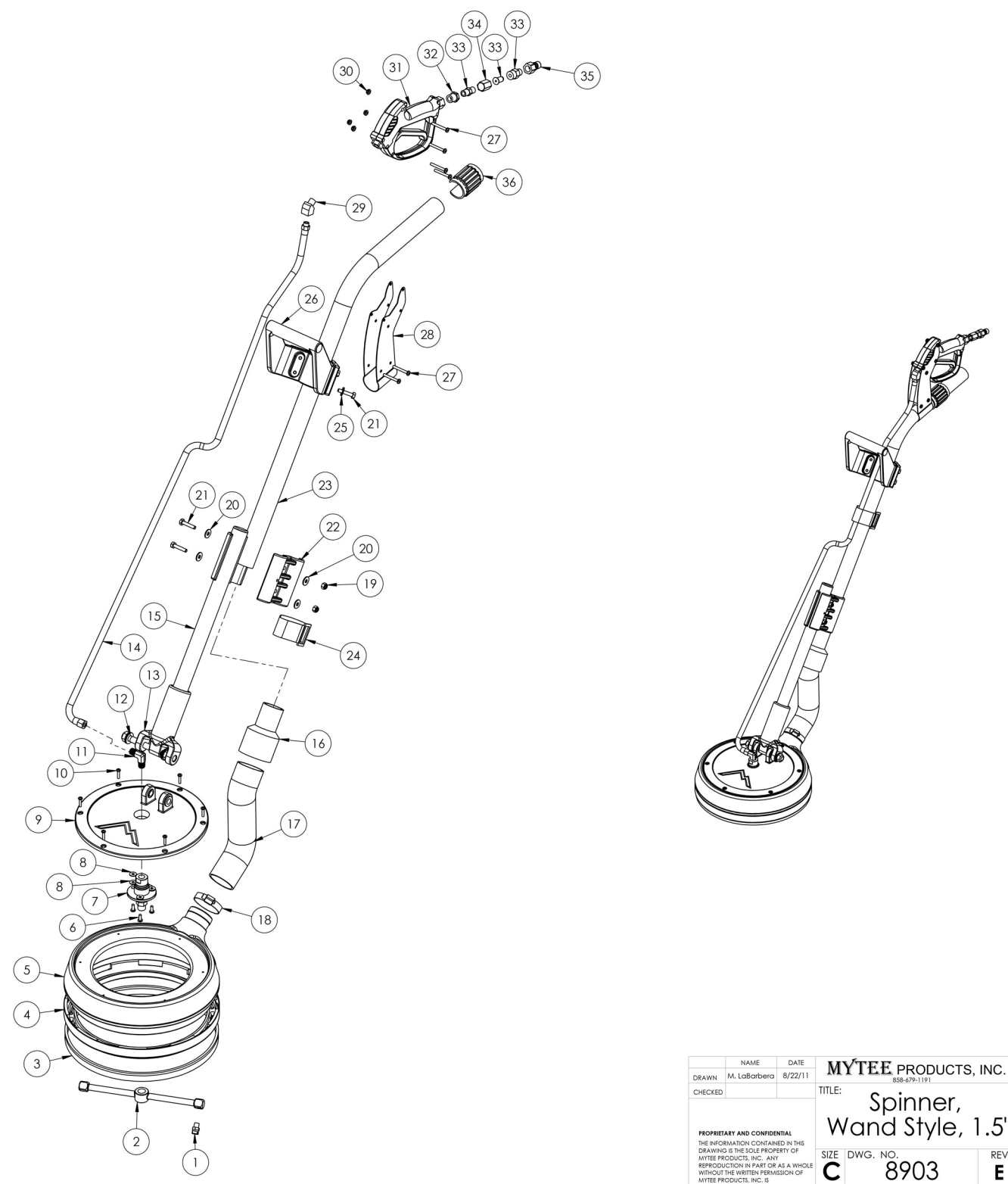


ITEM NO.	PART NO.	DESCRIPTION	QTY.
1	H505A	jet, s/s, 1/8", 1502	2
2	H441	bar, t, straight, 42 deg, 10"	1
3	G098	brush, spinner ring	1
4	P500	spinner ring, nylon	1
5	P689A	manifold, 12" spinner, low profile	1
6	H230	screw, 10-32 x 1/2" phil pan head, s/s	3
7	H926	swivel, spinner	1
8	H289	Washer #10 flat, s/s	6
9	H465A	mounting plate, 12" spinner	1
10	H882	screw, 8 x 3/4 phil pan head, type a, s/s	6
11	B136	elbow, brass, 90 deg, 1/4" mpt x 1/4" mpt	1
12	H008	set; bolt, 2 lock nuts, 4 washers	1
13	H102	yoke, spinner	1
14	AH206	sol hose, 1/4" x 48", 1/4 fsw x 1/4 mpt	1
15	H197	handle, lower, wand style spinner	1
16	H498A	cuff, 2" thread x 1-1/2" slip	1
17	PH628-24	hose, vac wire reinforced 2"	1
18	H217	clamp, hose, 2-1/4 dia	1
19	H216	nut, lock, 1/4-20, nylon insert, s/s	2
20	H210	washer, 1/4" flat, s/s	4
21	H203	bolt, 1/4-20 x 1-1/4"	6
22	H613A	clamp, spinner handle, 1.5" x 1.25"	2
23	H616	tube, 1.5" spinner, wand style	1
24	G108	wrap, injector bottle	1
25	H148	washer, 5/16", narrow	4
26	H785	grip, 1.5" dia, wand	1
27	H457	screw, 10-32 x 1-1/2", p-pan	6
28	H614A	gun style valve clamp, 1.5"	1
29	B130	45 deg, street elbow, brass, 1/4" male	1
30	H458	nut, lock, 10-32, thin pattern	6
31	H540	gun, high pressure	1
32	B105	bushing, brass, 3/8"mpt x 1/4"	1
33	B107	nipple, brass, 1/4"m, hex	1
34	B247	filter, in-line, 100 mesh, 1/4" MPT x FPT	1
35	B101	qd, brass, 1/4" m	1
36	G082	cap, vacuum relief slot (spin)	1

ITEMS NOT SHOWN

PART NO.	DESCRIPTION	QTY.	MSRP
G102	gasket, cork, 3/4" X 3", 1/8" thick	3	



DRAWN	M. LaBarbera	DATE	8/22/11	MYTEE PRODUCTS, INC. <small>858-679-1191</small>		
CHECKED		TITLE:				Spinner, Wand Style, 1.5"
<small>PROPRIETARY AND CONFIDENTIAL THE INFORMATION CONTAINED IN THIS DRAWING IS THE SOLE PROPERTY OF MYTEE PRODUCTS, INC. ANY REPRODUCTION IN PART OR AS A WHOLE WITHOUT THE WRITTEN PERMISSION OF MYTEE PRODUCTS, INC. IS PROHIBITED.</small>				SIZE	DWG. NO.	REV
				C	8903	E
SCALE: 1:6			DO NOT SCALE DRAWING	SHEET 1 OF 2		