

Owner's Manual

Ultimate Air HEPA 1000 Air Scrubber

The Ultimate Air HEPA 1000 is a portable filtration system that draws air in from the surrounding environment and passes it through an advanced filtration system. The unit removes airborne particles such as dust, mold spores, pollen, pet dander and miscellaneous debris.

READ AND SAVE THESE INSTRUCTIONS

SAFETY INSTRUCTIONS

WARNING

WARNING! Electric shock hazard, rotating fan, and hot surface hazards. Unplug unit before opening cover for cleaning or servicing. Unit must be grounded.

- Inspect the power cord before use. If cord is damaged, do not use. Always grasp the plug (not the cord) to unplug.
- Insert three-prong plug on power cord into a matching electrically grounded outlet. Do not use adapter. Never cut off third prong. Do not use an extension cord.
- The unit must be operated on a 115V/60 Hz circuit protected by a Ground Fault Circuit Interrupter (GFCI) device.
- Keep motor and wiring dry.
- Do not attempt to repair the unit. For service, contact your local Jon Don location.

OPERATION

1. Plug in to a standard 115 volt outlet. Each HEPA 1000 requires at least 3.4 amps to operate. Attach ducting to the Inlet Shroud (Fig. 1) as desired.
2. Switch the unit on.

MAINTENANCE

BEFORE EACH USE

Inspect the electrical cord for damage. Look for fraying, cuts, etc. Do not use the unit if you find any. Contact your local Jon Don location for a replacement cord.

Filter Change Light

The Change Filter Light illuminates when you need to change the HEPA filter. See Changing the Prefilter, right.

When using the HEPA 1000 for water damage restoration:

Inspect pre-filter. Look for accumulated dust and dirt that could restrict airflow through the filter into the unit. If any is visible, change out the pre-filter.

When using the HEPA 1000 for remediation:

After every job: Replace both the filters to prevent cross-contamination. Clean the unit thoroughly (vacuum and damp wipe per IICRC S520, 10.11) before removing it from the containment area to avoid cross-contamination. Let the unit dry before installing clean filters.

CHANGING FILTERS

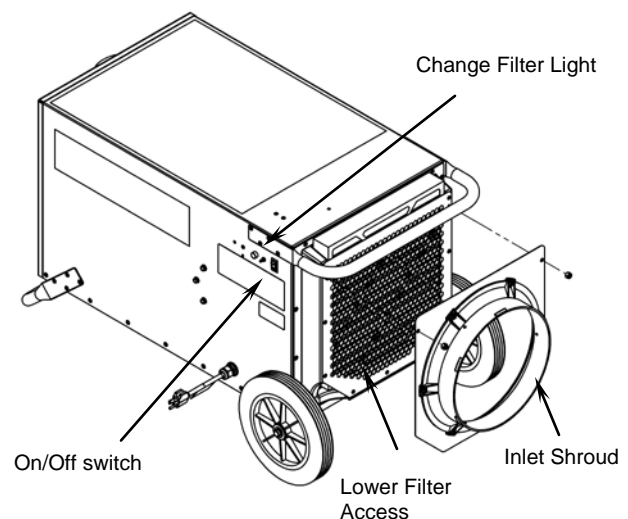
NOTICE: Always replace the HEPA filter when the Change Filter Light comes on.

Changing the Prefilter

The Prefilter should be changed whenever it shows signs of accumulating debris or after use in an environment where potentially dangerous contaminants were present.

1. Push the filter up 1 to 2 inches from the lower left or lower right corner of the filter housing (Fig 1)
2. Pull the exposed filter from the top until the filter is fully removed.
3. Insert the new filter from the top.

Fig 1: Changing the Prefilter

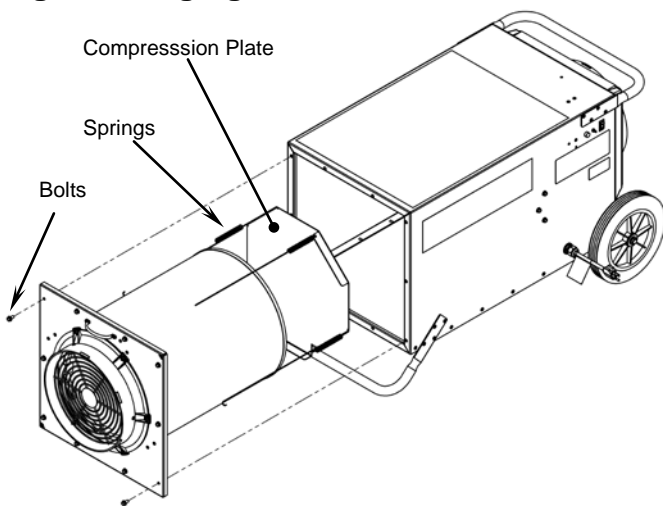


Changing the HEPA Filter

NOTICE: Always replace the HEPA filter when the Change Filter Indicator Light comes on. The HEPA filter element should also be changed after every use in an environment where potentially dangerous contaminants were present.

1. Place the unit in an upright or horizontal position. Remove the 10 bolts as shown on Figure 2.
2. Remove the filter assembly from the housing and place it on a flat surface.
3. Remove the four extension springs and remove the plate. Now replace the HEPA filter element.
4. Wipe down interior surfaces with a clean, damp cloth, or use a vacuum cleaner to remove any dust or debris.
5. Reinstall the compression plate over the new HEPA filter element, **NOTE:** Make sure the compression plate is correctly oriented as shown (Fig. 2). Reattach springs.
6. Place the HEPA filter assembly inside the HEPA1000 housing.
7. Reattach the cover. The HEPA1000 is now ready for use.

Fig 2: Changing the HEPA filter



TRANSPORTATION AND STORAGE

NOTICE: Handle the unit carefully. Do not drop, throw, or place the unit where it could fall. Rough treatment can damage this equipment and may create a hazardous condition or void warranty.

1. Do not expose the control panel to moisture, snow or rain when transporting in uncovered vehicles such as flatbed trucks.
2. Store and transport securely to avoid any damage. Unit may be stored in an upright position on its wheels, but take care to secure it properly.

TROUBLESHOOTING

FAULT	CAUSE	SOLUTION
Unit does not operate	No power to machine	Plug in the unit; check power at outlet
	Switch not turned on	Turn on the switch
Filter Change Light illuminated	Primary filter is full	Replace the filter
	Air intake restricted	Eliminate bends or kinks in ducting or remove ducting
Blower wheel not turning	Obstructed blower	Remove obstruction
	Loose blower wheel set screw	Tighten set screw

If the problem you are experiencing is not listed here, call your local JonDon location for assistance.

SPECIFICATIONS

Model	Ultimate Air HEPA 1000
Weight	73.5 lbs. 33.34 kg
Dimensions (H x D x W)	22.81 x 38.56 x 22.71 in. 57.94 x 97.94 x 57.68 cm
Power	3.4 amps, 120 volts, 60 Hz
Airflow	1000 CFM 28.3 m ³ /m
Available air filter configurations	a) Primary HEPA filter PLUS b) 1 in. prefilter + 1 in. carbon prefilter OR 2 in. prefilter
Power cord	25 ft. 7.6 m
Construction	Galvanized sheet metal
Safety	ETL certified to UL 474 and CSA 22.2 no. 92

Specifications are subject to change without notice. Some values may be approximate.