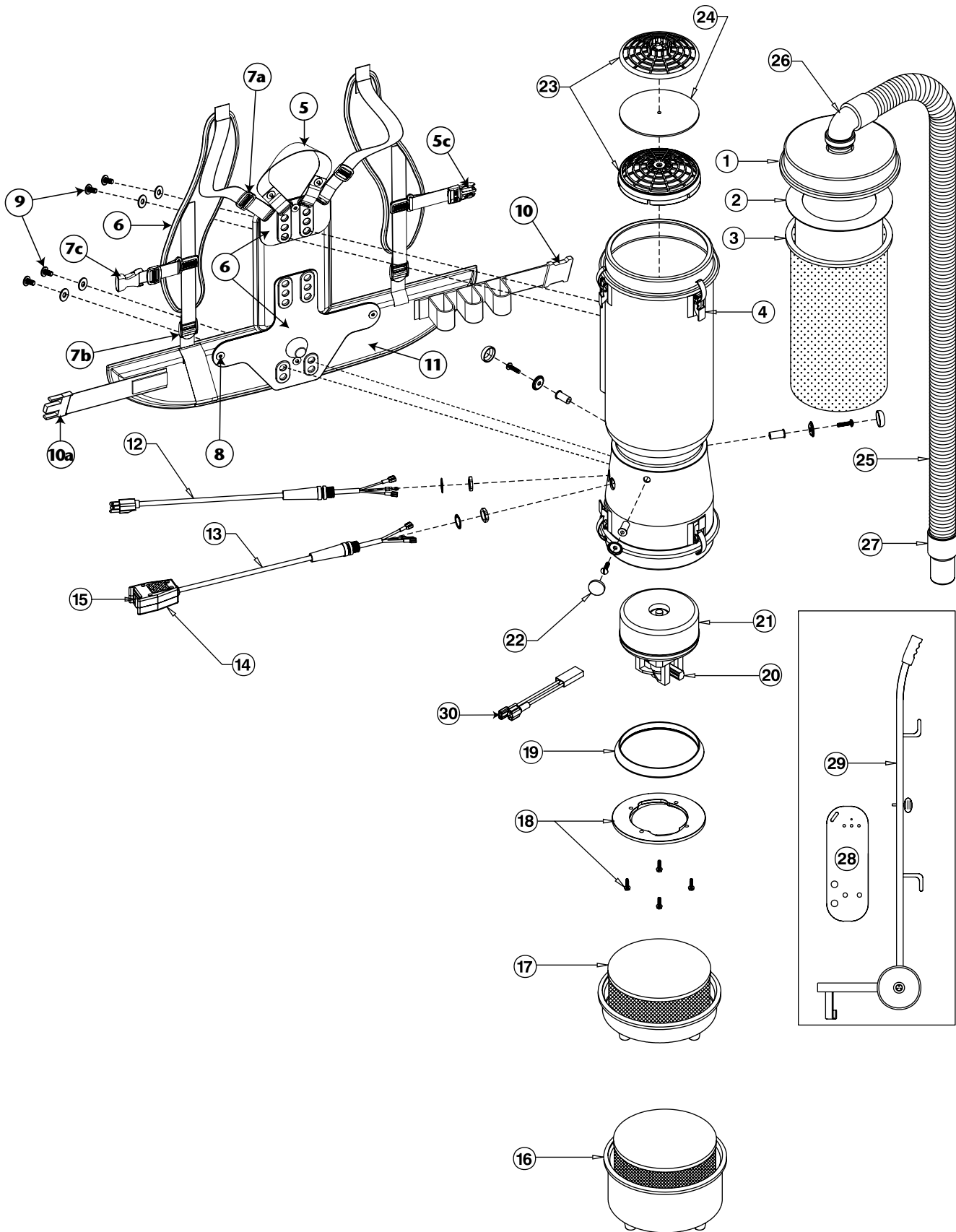


LINEVACER PARTS



LINEVACER PARTS

No.	Product Name	Qty
1	104276 Latch Cap w/Cuff (Black)	1 ea.
2	100291 698 Sq. In. Intercept Micro Filter	10/pk
3	100565 Micro Cloth Filter	1 ea.
4	100286 Top or Bottom Cap Latch Set: 3 Latches, 3 Locks w/6 Fastening Rivets, 6 Washers	1 set
5	101737 Carry Handle w/Rivet and Washer Set	1 set
6	100356 Shoulder Strap Assembly (includes: #7a, 7b, 7c)	1 set
7	105046 Backplate (includes: #8)	1 ea.
7a	100358 Shoulder Strap Plastic Adjustment (Top)	1 ea.
7b	100357 Shoulder Strap Plastic Adjustment (Bottom)	1 ea.
7c	103627 Sternum Strap Buckles (Latch and Keeper)	1 set
8	100375 Barrel Nut Connection Set for Backplate (Replacement)	1 set
9	100374 Backplate Connection Set: 4 Screws w/Washers, Stand Offs	1 set
10	103963 Waist Belt Keeper	1 ea.
10a	100364 Waist Belt Latch	1 ea.
11	100359 Waist Belt (includes: #10, 10a)	1 ea.
	100354 Strap Assembly Complete (includes: #6, 7a, 7b, 7c, 10, 10a)	1 set
	103166 Backplate System Complete (includes: #5, 6, 7, 7a, 7b, 7c, 8, 9, 10, 10a)	1 set
12	100641 Power Cord (18" 14/3) Assembly Complete	1 set
	100299 15' Cart power Supply Cord Complete w/Crimps (100279, 100282)	1 set
13	101610 Switch Cord Assembly 120V (includes: #13, 14, 15)	1 set
	101714 Switch Cord w/Crimps	1 ea.
	101716 26" Switch Cord Assembly Complete 120V	1 set
14	101472 Switch Box w/Velcro and New Lamb Switch	1 set
	101718 Switch Box w/Belt Clip (for cart) (100279, 100282)	1 set
15	106066 On/Off Switch (must use with #106287)	1 ea.
	106287 Switch Box w/Velcro and Screws	1 ea.
16	104275 ULPA Filter Assembly Complete w/Bottom Cap (100280, 100282)	1 set
17	104274 HEPA Filter Assembly Complete w/Bottom Cap (100277, 100279)	1 set
18	100335 Motor Compression Ring w/Screws	1 set
	100378 Compression Ring Screw Set: 4 Screws	1 set
19	100014 Tetraseal	1 ea.
20	105697 Carbon Brush Set for LineVacer Motor (Domel Motor)	1 set
	100424 Carbon Brush Set for LineVacer Motor (Ametek Motor)	1 set
21	105720 Motor/Fan (120 V) w/Crimps (Domel)	1 ea.
	100380 Motor Crimp Set: 5 female, 3 Male and a Ground Crimp Connector	1 set
	100379 Motor Ground, Wire Clamp Set w/Screws	1 set
22	100368 Motor Mounting System Set: 3 Well Nuts, 3 Bolts, 3 Washers, 3 Covers	1 set
23	100030 Dome Filter w/Foam Media	1 ea.
24	100343 Foam Filter Media for Dome Filter	1 ea.
25	103048 Static-Dissipating Hose w/Cuffs (Black)	1 ea.
26	101928 Replacement Double Swivel Elbow Cuff (Black)	1 ea.
27	100694 Replacement Swivel Cuff (Black) 1 1/2"	1 ea.
28	100718 Cart Plate for Cart Assembly	1 ea.
29	100287 LineVacer Cart Assembly Complete	1 set
30	103476 Thermal Protector	1 ea.
	101678 50' Extension Cord (Not Shown)	1 ea.