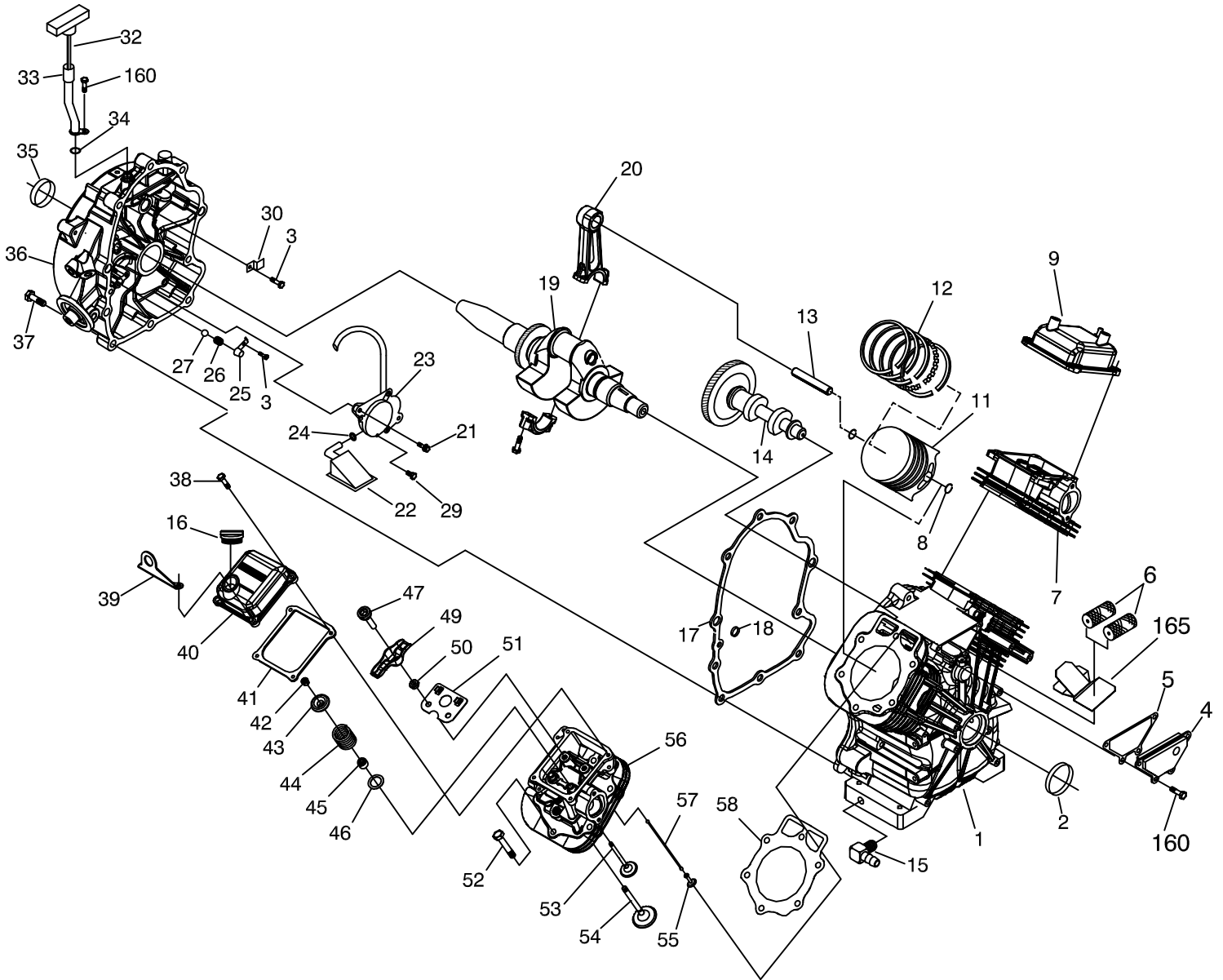


GROUP



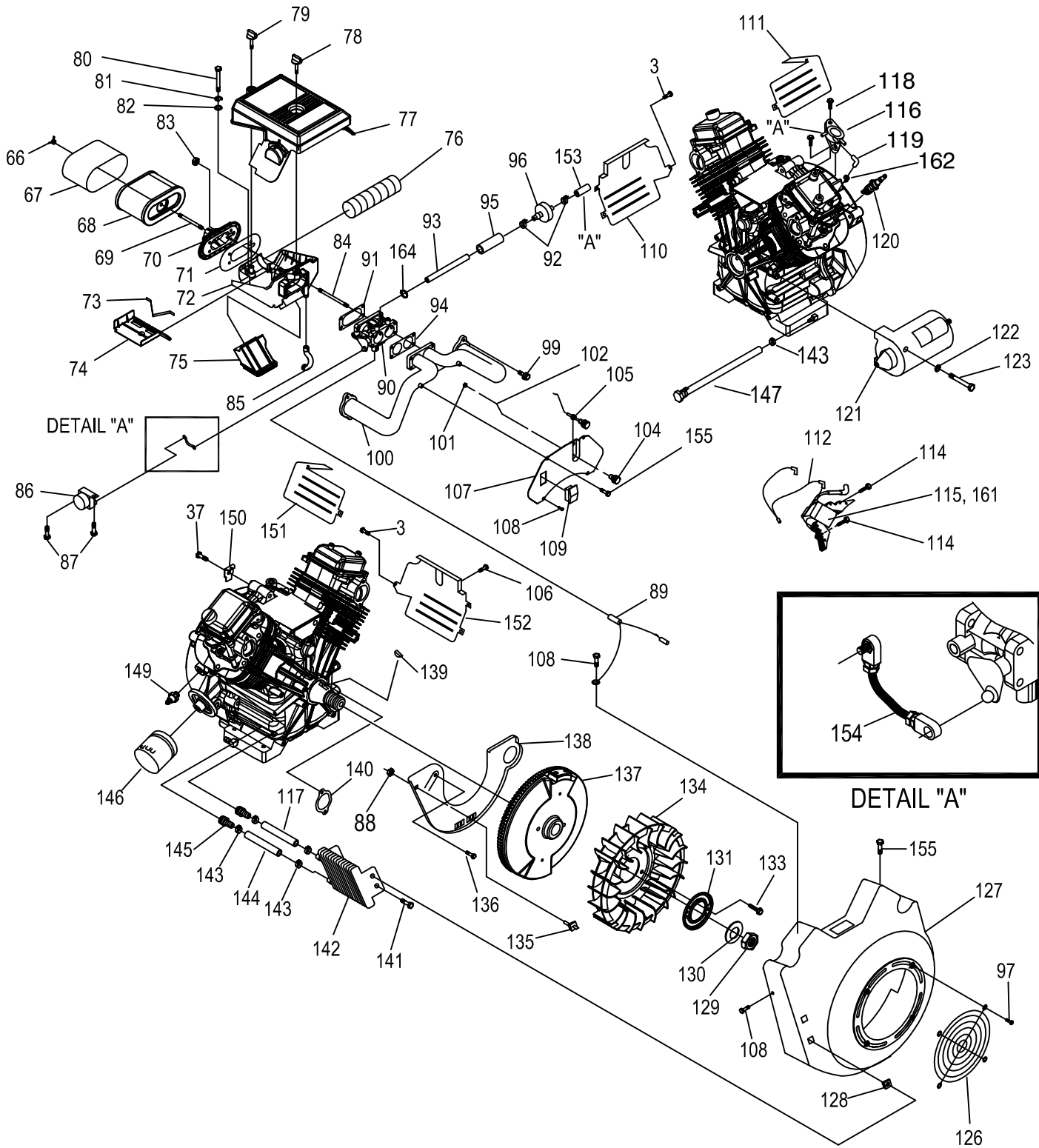
EXPLODED VIEW: ENGINE PARTS
DRAWING #: 0H1407

APPLICABLE TO: 005734, 005735

GROUP

ITEM	PART #	QTY.	DESCRIPTION	ITEM	PART #	QTY.	DESCRIPTION
1	0C5729	1	ASSY, CRANKCASE WITH SLEEVE				
2	0K1534	1	SEAL, C'SHAFT FLYWHEEL SIDE RED				
3	0G0919	5	SCREW, HHFCS M6-1.0 X 12 G8.8				
4	0G9100	1	ASSEMBLY, BREATHER DUAL VALVE				
5	0C3005	1	GASKET, BREATHER COVER				
6	0E3372C	2	SEPARATOR, OIL BREATHER				
7	0D8067A	1	ASSEMBLY, HEAD #1				
8	071983	4	RETAINER, PISTON PIN 20				
9	0G0693	1	ASSY, ROCKER COVER W/BARB				
10							
11	0G2752	2	PISTON, DISH TOP DIA 90 COATED				
12	0G2565	2	RING SET, PISTON TOP DIA 90				
13	0E1466	2	PIN PISTON				
14	0D4041	1	ASSEMBLY, CAMSHAFT & GEAR				
15	043790A	1	BARBED ELBOW, 90 DEG. 3/8NPT X 3/8 VS				
16	093064	1	ASSEMBLY, OIL FILL CAP				
17	0C2977	1	GASKET, CRANK CASE				
18	0C5943	1	SEAL, OIL PASSAGE				
19	0E4357E	1	CRANKSHAFT AND GEAR GTH-990				
20	0E3223	2	ASSEMBLY, CONNECTING ROD GT-990				
21	0G6431	2	SCREW SHC SEMS M6-1.0 X 50 G8.8				
22	0E6098	1	SCREEN, OIL PICKUP				
23	0D4123B	1	ASSY, OIL PUMP GTH W/O O-RING				
24	0E8152	1	O-RING, 0.49 ID X 0.07 THICK				
25	0C3011	2	COVER, OIL RELIEF				
26	0C3009	2	SPRING, OIL RELIEF				
27	0C3010	2	BALL, 1/2D OIL RELIEF				
28							
29	0F5458	1	SCREW, PLASTITE HI-LOW #10				
30	0C5998	1	CLAMP, OIL TUBE				
32	0F2664M	1	ASSEMBLY, DIPSTICK GTH-990 PORTABLE				
33	0D3745	1	TUBE, DIPSTICK				
34	0C3027	1	O-RING, 3/8 X 1/2				
35	0K2035	1	SEAL, C'SHAFT PTO RED				
36	0F8054	1	GEARCOVER / ADAPTOR GTH990/760				
37	0C3006	10	SCREW, HHFC M10-1.5 X 55				
38	080318	8	SCREW HHFC M6-1.0 X 25				
39	0G1839	2	LIFT HOOK, GT990/760				
40	0D2723D	1	COVER, ROCKER W/OIL FILL "GENERAC" TEXT				
41	0C2979	2	GASKET, VALVE COVER				
42	086515	8	KEEPER, VALVE SPRING				
43	0D2274	4	RETAINER, VALVE SPRING				
44	0D3867	4	SPRING, VALVE				
45	078672	2	SEAL, VALVE STEM D7				
46	0C5371	4	WASHER, VALVE SPRING				
47	072694	4	STUD, ROCKER ARM PIVOT				
49	0D5313	4	ROCKER ARM				
50	0D3998	4	NUT, HEX M8-1.0 GB YELLOW CHROM				
51	0G8552	2	PLATE, PUSH ROD GUIDE				
52	0C2976	12	SCREW HHFC M8-1.25 X 65				
53	086516	2	VALVE, EXHAUST				
54	0C2229	2	VALVE, INTAKE				
55	083897	4	TAPPET, SOLID				
56	0D8067B	1	ASSEMBLY, HEAD #2				
57	0D9853D	4	PUSHROD 147				
58	0C2978	2	GASKET, HEAD				
165	0G8558	1	DIVERTER, BREATHER GTH				

GROUP



EXPLODED VIEW: ENGINE PARTS

DRAWING #: 0H1407

GROUP

APPLICABLE TO: 005734, 005735

ITEM	PART #	QTY.	DESCRIPTION	ITEM	PART #	QTY.	DESCRIPTION
66	0D6592	1	WINGNUT, AIRBOX	127	0F1169B	1	HOUSING, BLOWER GAS COOLER
67	0D4511	1	PRECLEANER, AIR	128	0C9763	4	NUT, GROMMET 1/4 PLUG
68	0D9723	1	ELEMENT, AIR CLEANER	129	0C3034	1	NUT, HEX M24
69	0E5302	1	STUD M6-1.0 X 73	130	0C3033	1	WASHER, M24
70	0D4183	1	ADAPTOR, SPIT BACK	131	0C3032	1	PLATE, FAN
71	0D6327	1	GASKET, SPITBACK				
72	0D2774B	1	BASE, AIRBOX	133	0H4957	2	SCREW HHFCS M8-1.25 X 10 G8.8
73	0D5125	1	SPRING, WINTER/SUMMER VALVE	134	0C3031	1	FAN, NYLON
74	0D2930	1	VALVE, SUMMER / WINTER	135	0E4997	1	ASSY, GROUND WIRE CONNECTOR
75	0D4612A	1	SNORKEL, AIR INTAKE	136	045756	8	SCREW TAPTITE M6-1X10 YELLOW CHROME
76	0D6143	1	TUBE, HEAT RISER 50.8 I.D.	137	0C3725A	1	FLYWHEEL ASSEMBLY
77	0D2775	1	COVER, AIRBOX	138	0G4928C	1	PLATE, BACKING GT990 WITH CUT OUT
78	0D5014A	1	KNOB, AIRBOX 17mm	139	082774	1	KEY, WOODRFF 4 X 19D
79	0D5014B	1	KNOB, AIRBOX 95MM	140	0C3043	2	GASKET, MANIFOLD / PORT
80	049721	1	SCREW HHC M6-1.0 X 35	141	0C9764	4	PLASTITE, 1/4-15 X 3/4
81	022097	1	WASHER LOCK M6-1/4	142	0E9506	1	COOLER, OIL
82	022473	1	WASHER FLAT 1/4	143	0G3662B	5	CLAMP, HOSE OETIKER STEPLESS 18.5mm
83	0E8388	4	NUT, HEX FLANGE WHIZ M6-1.0	144	0F0452C	2	HOSE 3/8" 300PSI 6.5" LG OIL
84	0D6021	4	STUD, METRIC	145	035461	1	BARBED STR 1/4NPT X 3/8
85	0C9093A	1	HOSE, BREATHER	146	070185E	1	OIL FILTER, 90mm NO LOGO
86	0G6454	1	ASSY, CONTROLLER, GTH990 PORTABLE	147	0G4403	1	ASSEMBLY, OIL DRAIN HOSE
87	074908	2	SCREW HHTT M5-0.8 X 10	149	0G6820	1	SWITCH, OIL PRESS
88	082025	1	NUT, HEX LOCK M5-0.8 ZINC	150	0G2363	1	BRACKET, AIRBOX SUPPORT
89	0E3398	1	ASSEMBLY, WIRE	151	0C3018	1	WRAPPER, UPPER CYLINDER 1
90	0G4612	1	CARBURETOR, H990 W/BALL STUD	152	0C3019	1	WRAPPER, LOWER CYLINDER 1
91	0D4026	1	GASKET, CARB TO SPACER (GT-990)	153	0F9176H	1	HOSE, 1/4" SAE 30R7 GREENBAR
92	048031C	3	CLAMP HOSE BAND 1/4	154	0E0409	1	ASSY, ROD, GOV. STEPPER MOTOR
93	0F9176C	1	HOSE 1/4 ID SAE 30R7 GREENBAR 9" PRE-CUT	155	0G0919	6	SCREW HHFCS M6-1.0 X 12
94	0G0510	1	GASKET, MANIFOLD TO CARBURETOR	157	0D9784	1	NUT, LOCK HEX M3-0.5 (GT-990)
95	084409D	1	SLEEVEING, FLEXP HW 3/4"	160	0D6147	5	SCREW HHFC M6-1.0 X 10mm
96	0D6313	1	FILTER, FUEL	161	0G3224A	1	ASSY, IGN COIL W/DIODE NO ADV
97	045756	4	SCREW, HHTT M6-1 x 10 LONG	162	048031G	1	CLAMP, HOSE BAND GREEN
98	082025	1	NUT, HEX LOCK M5-0.8 ZINC	163	0D6342	1	BALL STUD, 10mm
99	0G3730B	4	SCREW, SHC M8-1.25 x 25 LG SEMS	164	040173	1	CLAMP, HOSE WORM GEAR
100	0C9911	1	MANIFOLD, INTAKE				
101	051714	1	NUT HEX M3-0.5				
102	0D5411	1	ROD, SUMMER / WINTER VALVE				
103							
104	0D5416	1	KNOB, CONTROL SUMMER / WINTER, BLACK				
105	0D5398	1	CHOKE ASSEMBLY				
106	0E6043	2	SCREW TAPTITE M5-0.8 X 8 ZP				
107	0D3432	1	PANEL, CONTROL FACE PLATE				
108	090388	14	SCREW TAPTITE M6-1.0X 12 CLEAR ZINC				
109	0D4767	1	SWITCH ROCKER				
110	0D1142A	1	WRAPPER, LOWER CYLINDER 2				
111	0D1143	1	WRAPPER, UPPER CYLINDER 2				
112	0F1177	1	ASSEMBLY, GROUND WIRE				
113	0H6244	1	EXTENDED BARBED STR 1/4 NPT X 3/8				
114	0G3110	4	SCREW TAPTITE M6-1.0 X 20 ZINC				
115	0G3224B	1	ASSY, IGN COIL W/DIODE NO ADV				
116	0F6263	1	PUMP, IMPULSE				
117							
118	0G0926	2	SCREW, HHFCS M6-1.0 X 16 G8.8				
119	0G0832	1	ELBOW, RUBBER 90 DEG. GASOLINE				
120	0E7585A	2	SPARKPLUG, CHAMPION RC14YC				
121	0E9323	1	STARTER MOTOR GEAR REDUCED				
122	022129	2	WASHER LOCK M8-5/16				
123	061906	2	SCREW HHC M8-1.25 X 85 G8.8				
124							
125							
126	0D1131	1	GUARD, FAN				