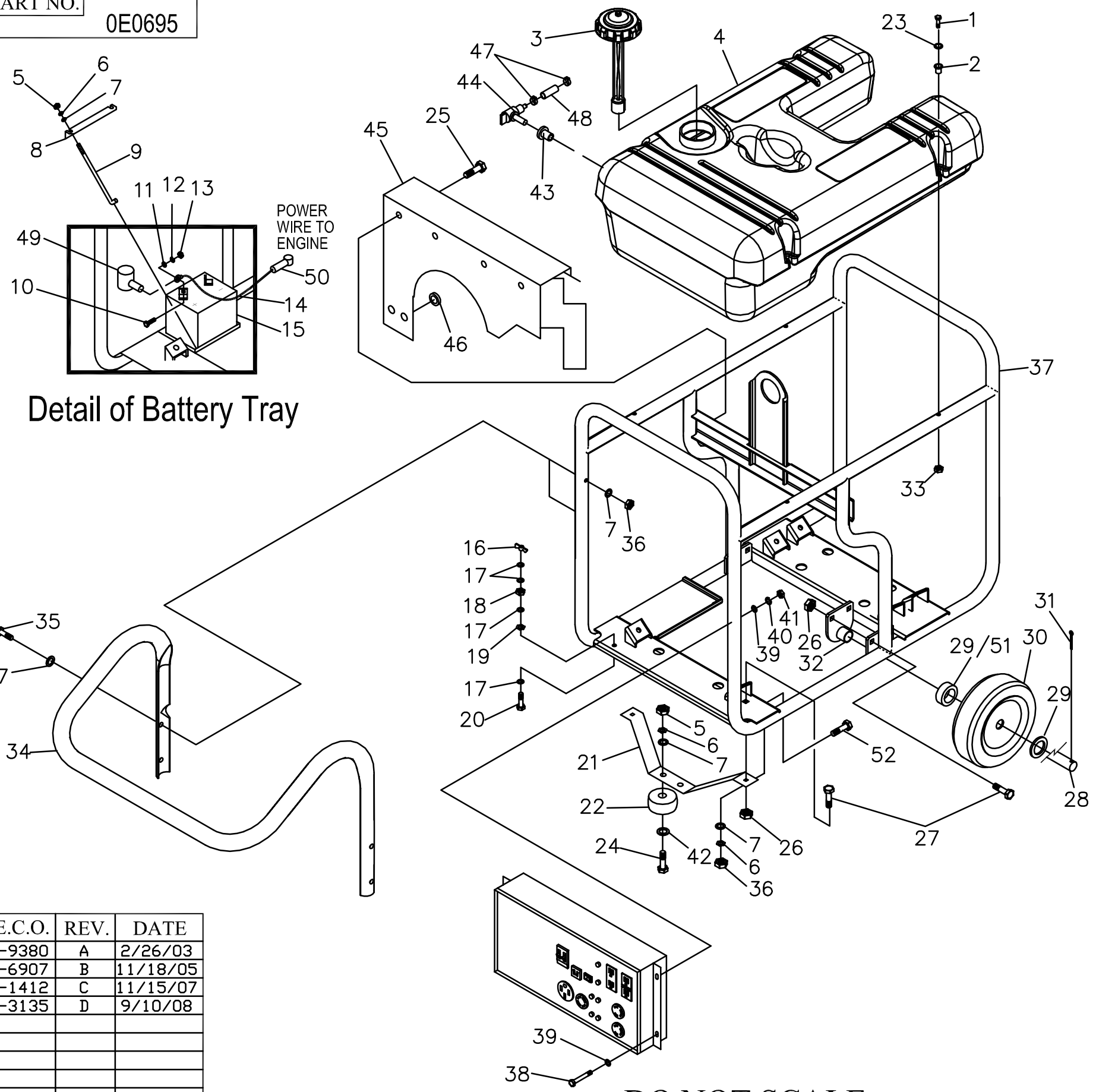


PART NO. 0E0695



Detail of Battery Tray

E.C.O.	REV.	DATE
F-9380	A	2/26/03
G-6907	B	11/18/05
H-1412	C	11/15/07
H-3135	D	9/10/08

DO NOT SCALE

ITEM	PART #	QTY.	DESCRIPTION
1	057058	4	SCREW HHC M6-1.0 X 55
2	0D5315	4	RUBBER TANK MOUNT
3	0D4570	1	CAP, FUEL WITH GAUGE & VENT
4	0D22850SRV	1	KIT, FUEL TANK
5	045771	4	NUT HEX M8-1.25
6	022129	6	WASHER LOCK M8-5/16
7	022145	14	WASHER FLAT 5/16
8	0D4565	1	BRACKET BATTERY
9	0D3545	2	BOLT, BATTERY J-BOLT
10	022287	2	SCREW HHC 1/4-20 X 3/4 G5
11	022473	2	WASHER FLAT 1/4
12	022097	2	WASHER LOCK M6-1/4
13	022127	2	NUT HEX 1/4-20
14	0388040AK0	1	BATTERY CABLE, RED
15	0D4575	1	BATTERY U1
16	0D5202	1	NUT WING 5/16-18 BRASS
17	0D5199	4	WASHER FLAT 5/16 BRASS
18	029809	1	NUT HEX 5/16-18 BRASS
19	0C3168	1	5/16 SPECIAL LWASH
20	0D5198	1	SCREW HHC 5/16-18 X 1.5 BRASS
21	0E0317	1	BRACKET FRONT FOOT (15 kW)
22	0D2498	1	BRACKET FRONT FOOT (12.5 kW)
23	027007	2	VIB MOUNT
24	0D5303	4	WASHER FLAT .25ID X 1"OD
25	042909	2	SCREW HHC M8-1.25 X 30
26	090388	4	SCREW HHTT M6-1.0 X 12
27	064101	6	NUT LOCK FL 3/8-16
28	039214	6	BOLT CARR 3/8-16 X 1
29	0D9165	1	AXLE, 3/4" DIA X 30" (15 kW)
30	0D2496	1	AXLE, 3/4" DIA X 27.25" (12.5 kW)
31	045900	2	WASHER FLAT 3/4" (15 kW)
32	045900	4	WASHER FLAT 3/4" (12.5 kW)
33	0D7668	2	12.3" PNEUM WHEEL 3/4" AXLE (15 kW)
34	0D2495	2	10" PNEUM WHEEL 3/4" AXLE (12.5 kW)
35	0D4999	2	PIN COTTER 1/8 X 1-1/4
36	0D4044	2	BRACKET, WHEEL SPACER
37	0D3700	4	NUT FLANGE M6-1.0 NYLOK
38	0D2497	1	HANDLE
39	022532	4	SCREW HHC 5/16-18 X 2-1/2 G5
40	027028	6	NUT LOCK HEX 5/16-18 NYLON INSERT
41	0D2271	1	FRAME
42	052762	4	SCREW HHC M5-0.8 X 45 G8.8
43	051713	8	WASHER FLAT M5
44	049226	4	WASHER LOCK M5
45	051716	4	NUT HEX M5-0.8
46	050190	2	WASHER FLAT 1"
47	078299	1	BUSHING TANK DEXTOR
48	080270	1	VALVE, PLASTIC TANK
49	0D5142	1	AIR DEFLECTOR
50	096021	2	GROMMET .75 X .06 X .50
51	0G3662A	2	CLAMP, HOSE OETIKR STEPLSS 14.5
52	0F9176	18"	HOSE 1/4 ID
53	075763	1	BOOT BATTERY CABLE
54	075763A	1	BOOT STARTER CABLE
55	0E0318	2	SPACER, AXLE (15 kW)
56	030795	2	SCREW HHC 5/16"-18 X 1"

GROUP

EXPLODED VIEW:		FRAME		GENERAC POWER SYSTEMS	
DRAWN BY:	BEN KIELAS	DATE:	4/13/02	P.O. BOX 8 WAUKESHA, WIS. 53186	
CHECKED BY:	J. VRANAK	DATE:	4/24/02	FIRST USE: 00451-1	
APPROVED BY:	C. TURNER	DATE:	4/24/02	PART NO.:	0E0695
RELEASED FOR PRODUCTION BY:	C. TURNER	DATE:	4/24/02	REV.:	D