



G-320 SERIES ELECTRIC & PROPANE

EQUIPMENT MANUAL



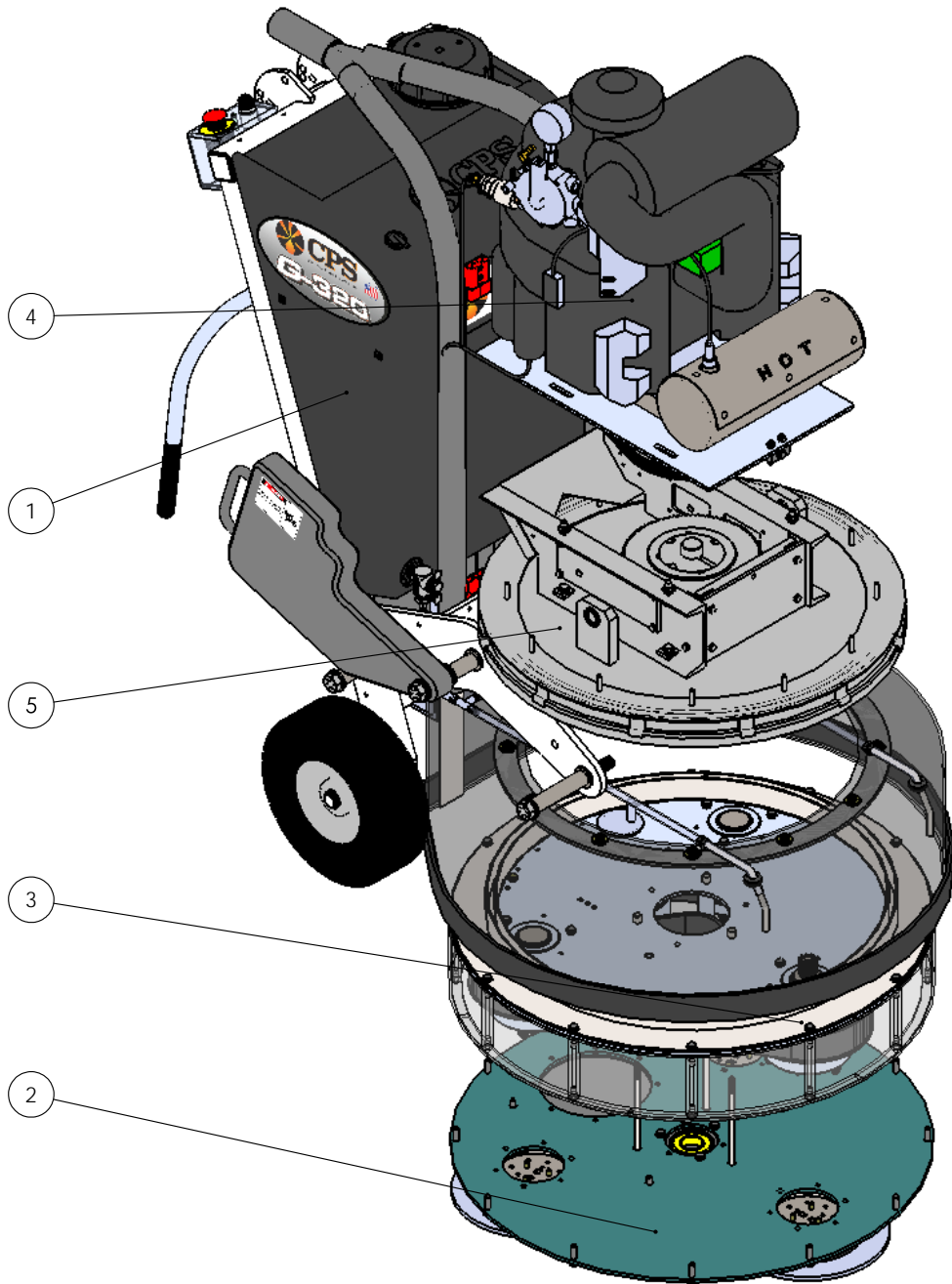
SERIAL NUMBER RANGE
FROM SN: 016-0494PW [07/10/2017]
TO SN: CURRENT



TABLE OF CONTENTS

Section Title	Page #
G-320 Propane Breakdown	4
G-320 Propane Frame Breakdown (Front)	6
G-320 Propane Frame Breakdown (Back)	8
G-320 Shroud Assembly	10
G-320 Propane Engine Assembly	12
G-320 Ring Gear Plate Assembly	14
G-320 Upper Plate Assembly	16
G-320 Tensioner Assembly	18
G-320 Idler Roller Assembly	20
G-320 Spindle Assembly Without Pinion	22
G-320 Spindle Assembly With Pinion	24
G-320 Lower Plate Assembly	26
G-320 Flex Head Assembly	28
G-320 Propane Control Box	30
G-320 Electric Frame Breakdown	32
G-320 Electric Frame Assembly	34
G-320 Electric Breakdown	36
G-320 Electric Control Mount	38
G-320 Electric Assembly	40

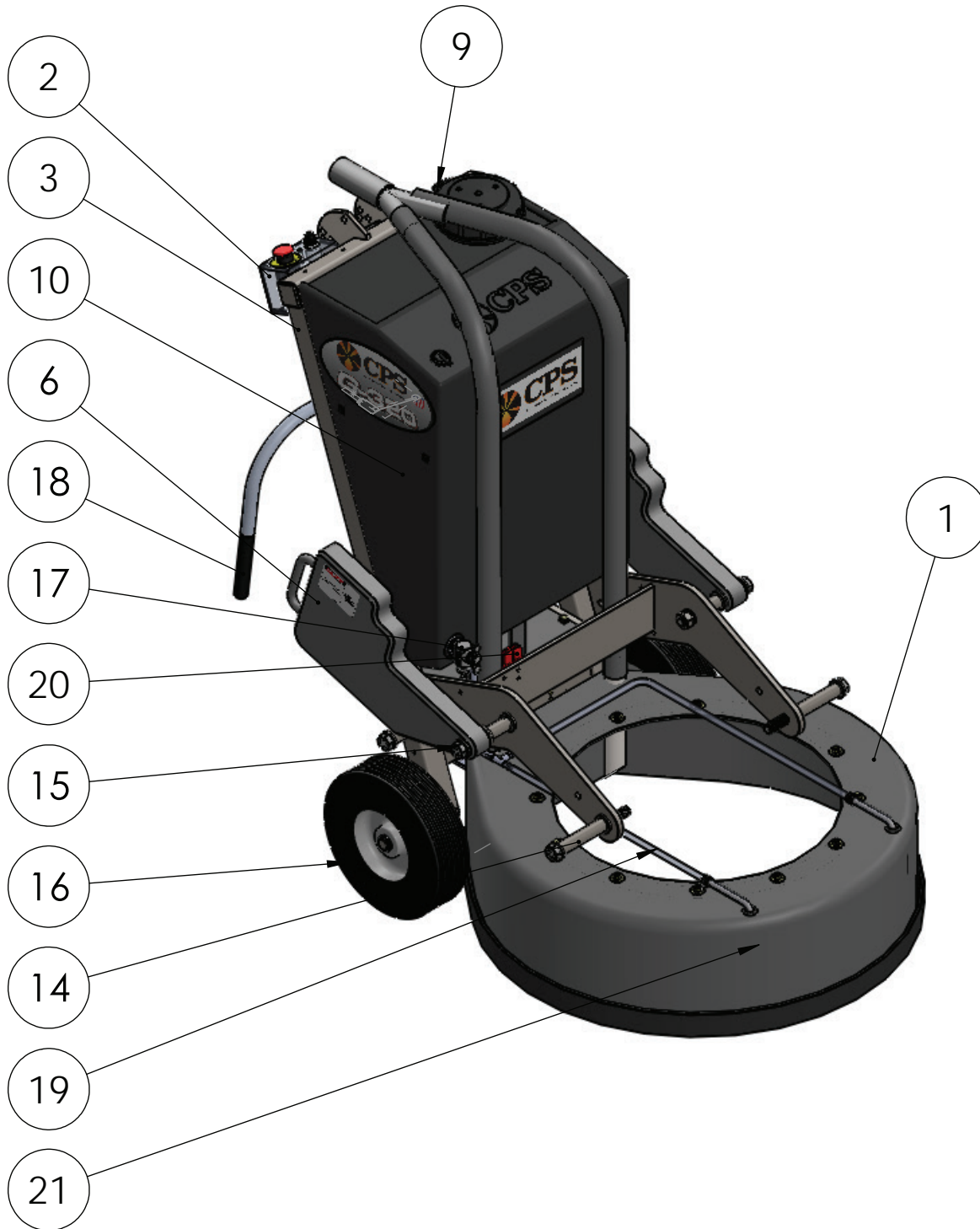
G-320 PROPANE BREAKDOWN



G-320 PROPANE BREAKDOWN

No.	Part Description	Qty.
1	APMF2129A - R1 - Frame Assembly	1
2	APMF2202 - R1 - Lower Plate Assembly	1
3	APMF2233 - Upper Plate Assembly	1
4	APMF4203 - R1 - Engine Assembly	1
5	APMF3717 - R1 - G320DP Ring Gear Plate Assembly	1

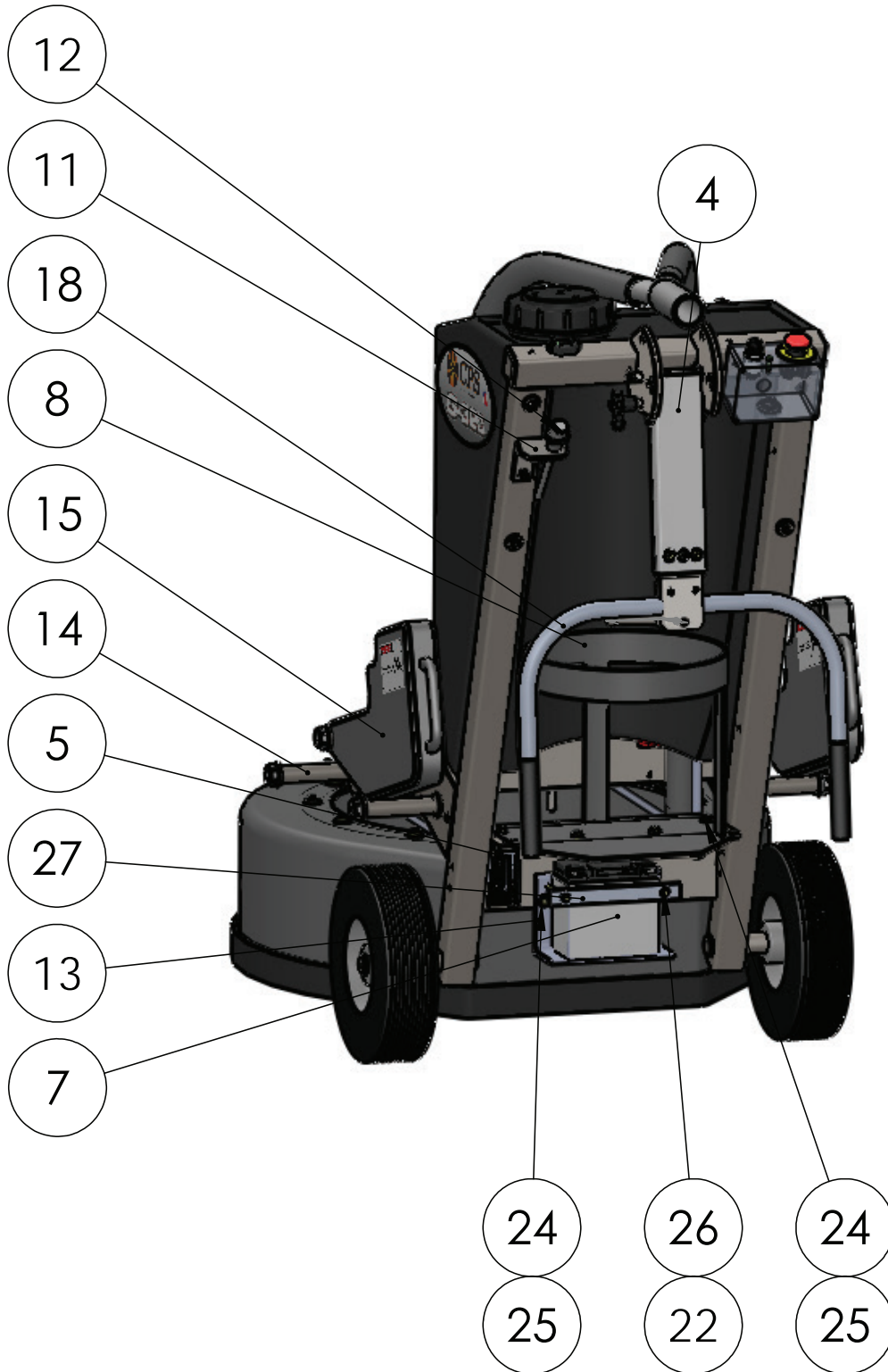
G-320 PROPANE FRAME BREAKDOWN (FRONT)



G-320 PROPANE FRAME BREAKDOWN (FRONT)

No.	Part Description	Qty.
1	APMF0282 - R1 - Shroud Assembly - 320D	1
2	APMF1372A - R1 - Control Box Complete	1
3	APMF2129F - R2 - P320 Frame Weldment	1
4	APMF0275 - R2 - P250 P320 Tiller Arm Assy	1
5	APMF0001 - R1 - Serial Plate	1
6	APMF1290 - R1 - P320 Weight (XHD Requires 4)	2
7	APMF1941 - R1 - Battery	1
8	APMF1759 - Propane Bracket	1
9	APMF2118 - R1 - Tach-Hour Meter	1
10	APMF2284 - R2 - Water Tank	1
11	APMF2239 - R1 - Throttle Bracket	1
12	APMF4373 - R1 - Throttle Cable	1
13	APMF7065 - R2 - P320 Battery Bracket	1
14	APMF7214 - R1 - SS Spacer 4.75	4
15	APMF7216 - R1 - SS Spacer 2.25	4
16	GPPT0190 - Wheel and Tire Assembly	2
17	APMF4421 - VALVE WATER TANK	1
18	APMF1189 - R1 - Handle Bar Assembly	1
19	APMF8030 - 320 WATER TUBING	2
20	APMF2194F - R1 - Battery Disconnect	1
21	APMF8030 - Q1 - WATER TUBE CONCEPT	2
22	APMF2152 - Lock Washer - .25	4
23	APMF7417 - SHCS - .250-20 x .75 lg	2
24	APMF - HHSS - .375-16 x .625 lg	6
25	NF APMF - Lock Washer - .375	6
26	APMF1959 - HHSS - .25-20 x 4.50 lg	2
27	BATTERY MNT BAR GRINDERS	1

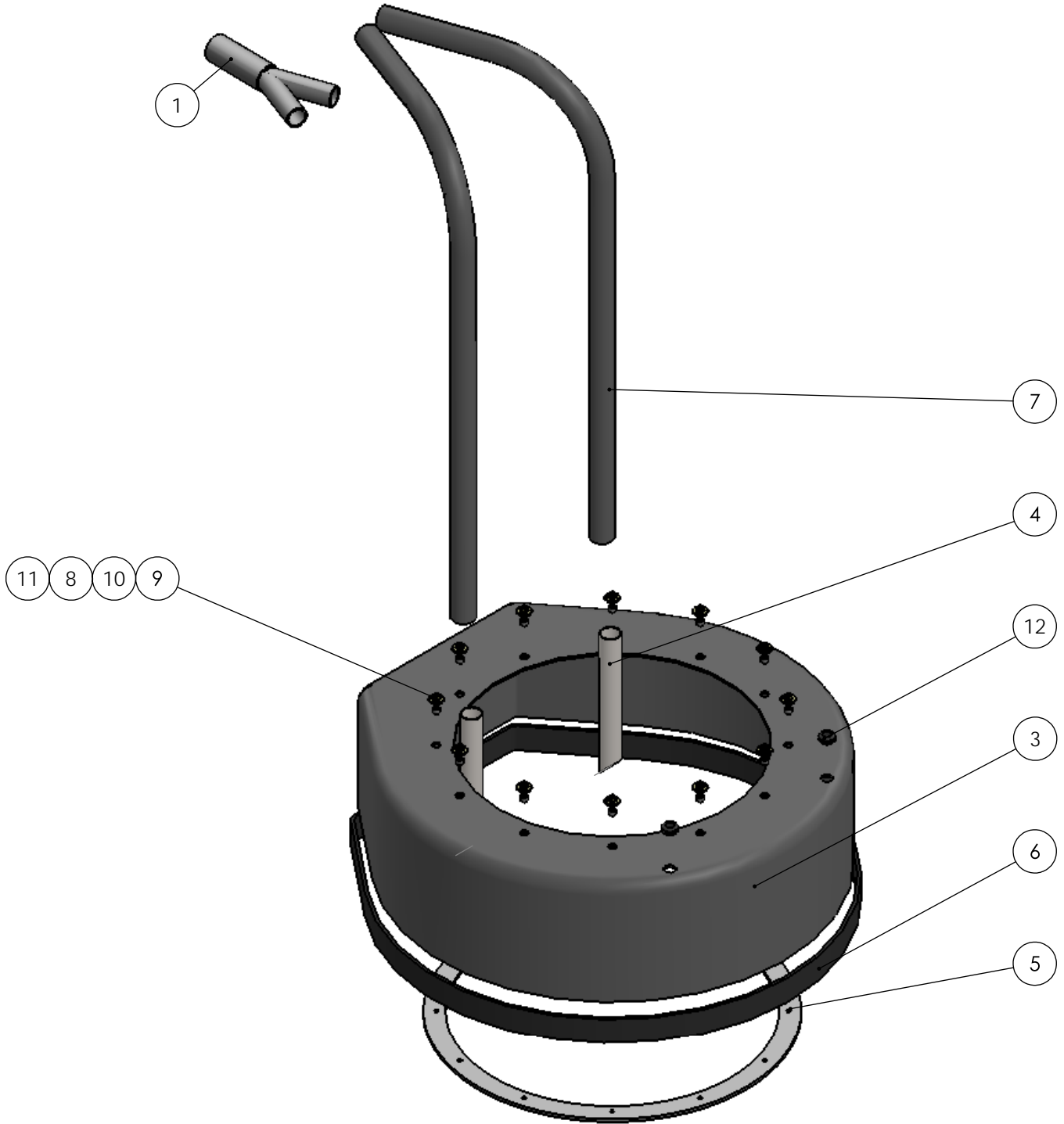
G-320 PROPANE FRAME BREAKDOWN (BACK)



G-320 PROPANE FRAME BREAKDOWN (BACK)

No.	Part Description	Qty.
1	APMF0282 - R1 - Shroud Assembly - 320D	1
2	APMF1372A - R1 - Control Box Complete	1
3	APMF2129F - R2 - P320 Frame Weldment	1
4	APMF0275 - R2 - P250 P320 Tiller Arm Assy	1
5	APMF0001 - R1 - Serial Plate	1
6	APMF1290 - R1 - P320 Weight	2
7	APMF1941 - R1 - Battery	1
8	APMF1759 - Propane Bracket	1
9	APMF2118 - R1 - Tach-Hour Meter	1
10	APMF2284 - R2 - Water Tank	1
11	APMF2239 - R1 - Throttle Bracket	1
12	APMF4373 - R1 - Throttle Cable	1
13	APMF7065 - R2 - P320 Battery Bracket	1
14	APMF7214 - R1 - SS Spacer 4.75	4
15	APMF7216 - R1 - SS Spacer 2.25	4
16	GPPT0190 - Wheel and Tire Assembly	2
17	APMF4421 - VALVE WATER TANK	1
18	APMF1189 - R1 - Handle Bar Assembly	1
19	320 WATER TUBING	1
20	APMF2194F - R1 - Battery Disconnect	1
21	APMF8030 - Q1 - WATER TUBE CONCEPT	2
22	APMF2152 - Lock Washer - .25	4
23	APMF7417 - SHCS - .250-20 x .75 lg	2
24	APMF - HHSS - .375-16 x .625 lg	6
25	NF APMF - Lock Washer - .375	6
26	APMF1959 - HHSS - .25-20 x 4.50 lg	2
27	BATTERY MNT BAR GRINDERS	1

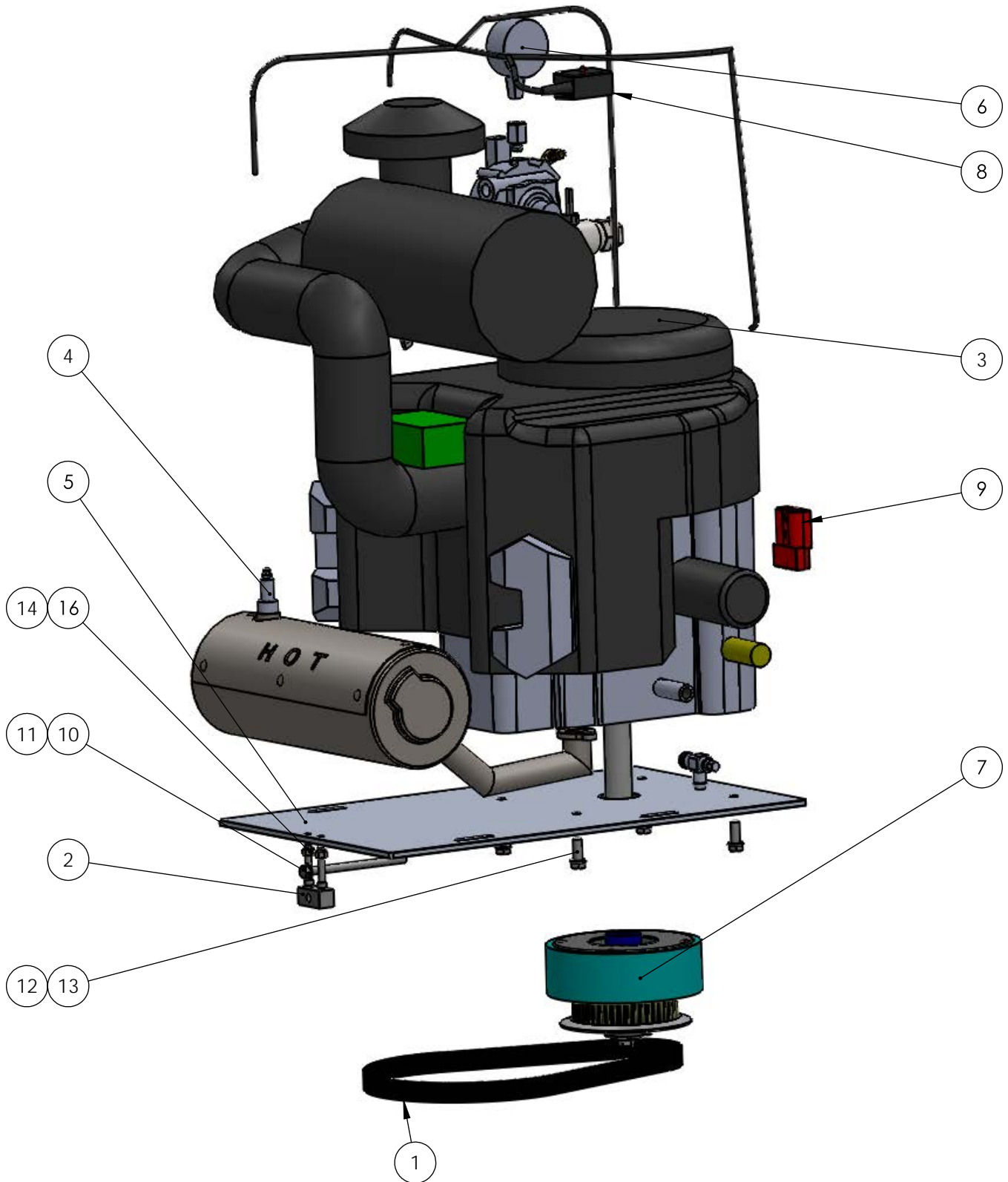
G-320 SHROUD ASSEMBLY



G-320 SHROUD ASSEMBLY

No.	Part Description	Qty.
1	APMF0252 - R1 - 320 Shroud	1
2	APMF1011 - R1 - 1-1.5 OD Smoke Stacks	2
3	APMF1179 - R1 - 320 Gasket	1
4	GPPT0227 - R1 - Black Velcro Hook For Shroud	9 ft
5	GPPT0290 - R1 - Hose 1-1-2 ID x 50	9 ft
6	APMF1043 - R1 - Y Hose Pipe 2 OD x 1.75 ID	1
8	APMF0131 - Flat Washer - .50	12
9	APMF0319 - Nylock Flange Nut - .25-20	12
10	APMF1152 - Flat Washer - .25	12
11	APMF1431 - R1 - Plastic Spacers - .25id x .50od x .375lg	12
12	9307K670 BUNA-N RUBBER PUSH-IN GROMMET	2

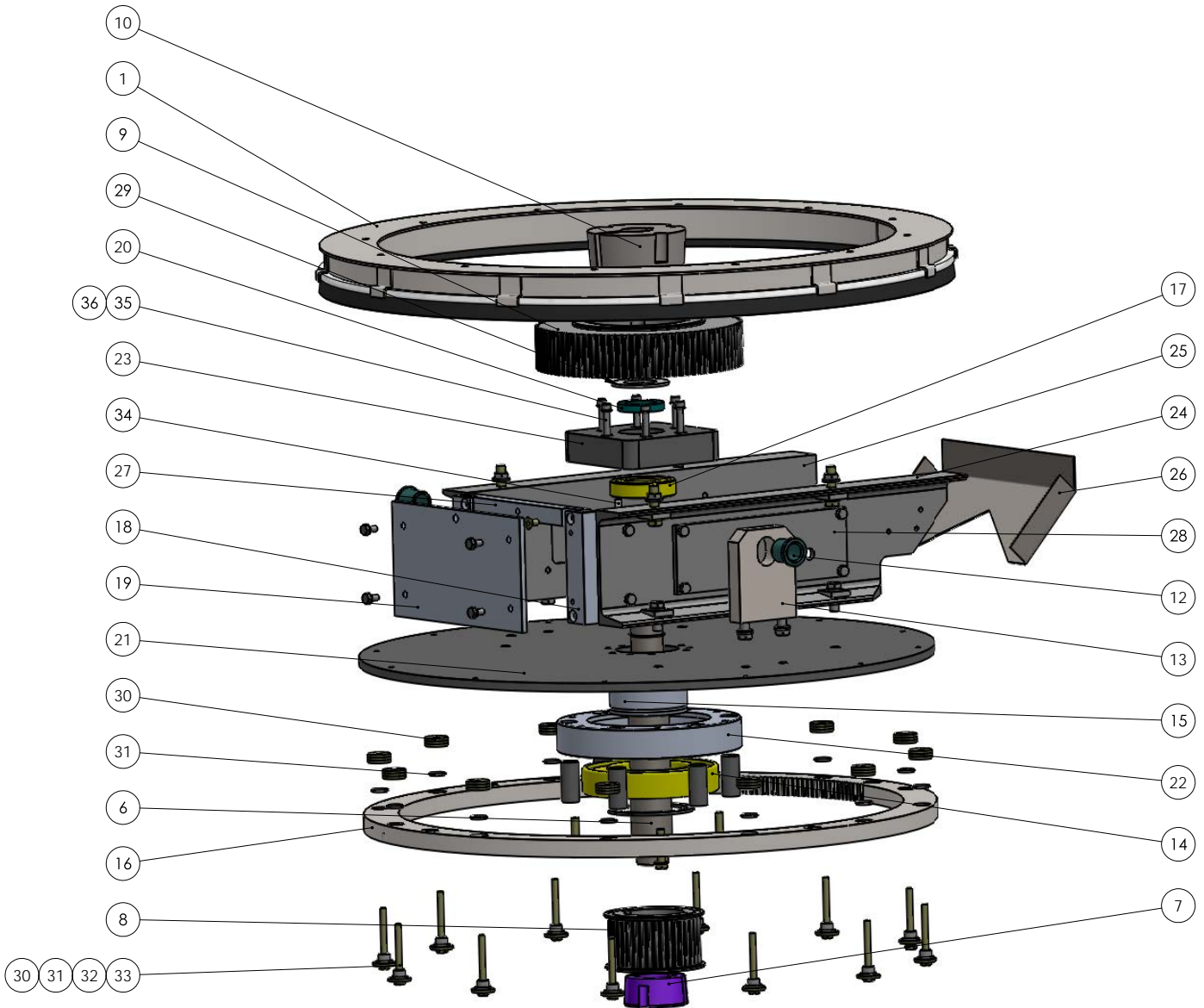
G-320 PROPANE ENGINE ASSEMBLY



G-320 PROPANE ENGINE ASSEMBLY

No.	Part Description	Qty.
1	APMF1534 - Gates Motor Drive Belt 21 - 8MGT-960-21	1
2	APMF1570 - R1 - Belt Tensioner Block1	1
3	APMF2232 - R1 - Kawasaki Engine	1
4	MTPT0155 - O2 SENSOR	1
5	APMF2146 - R1 - 320 Propane Motor Mount Plate	1
6	APMF3723 - PRESSURE GUAGE - 0-15	1
7	APMF1596A - R1 - CLUTCH ASSY (320 D) APMF1596AHD - R1 - (320 XHD Clutch)	1
8	APMF2255AS - R1 - Engine Wiring Harness	1
9	APMF2194E - R1 - Battery Disconnect	1
10	APMF - HHSS - .313-18 x 5 lg1	1
11	APMF0167 - Flat Washer - .3126	1
12	NF APMF - Lock Washer - .375	4
13	APMF - HHSS - .375-16 x 1.00 lg1	4
14	APMF - SHCS - .250-20 x 1.50 lg1	2
15	APMF2152 - Lock Washer - .25	2
16	APMF4242 - Lock Nut - 14-20 - McMaster 97135A210	2

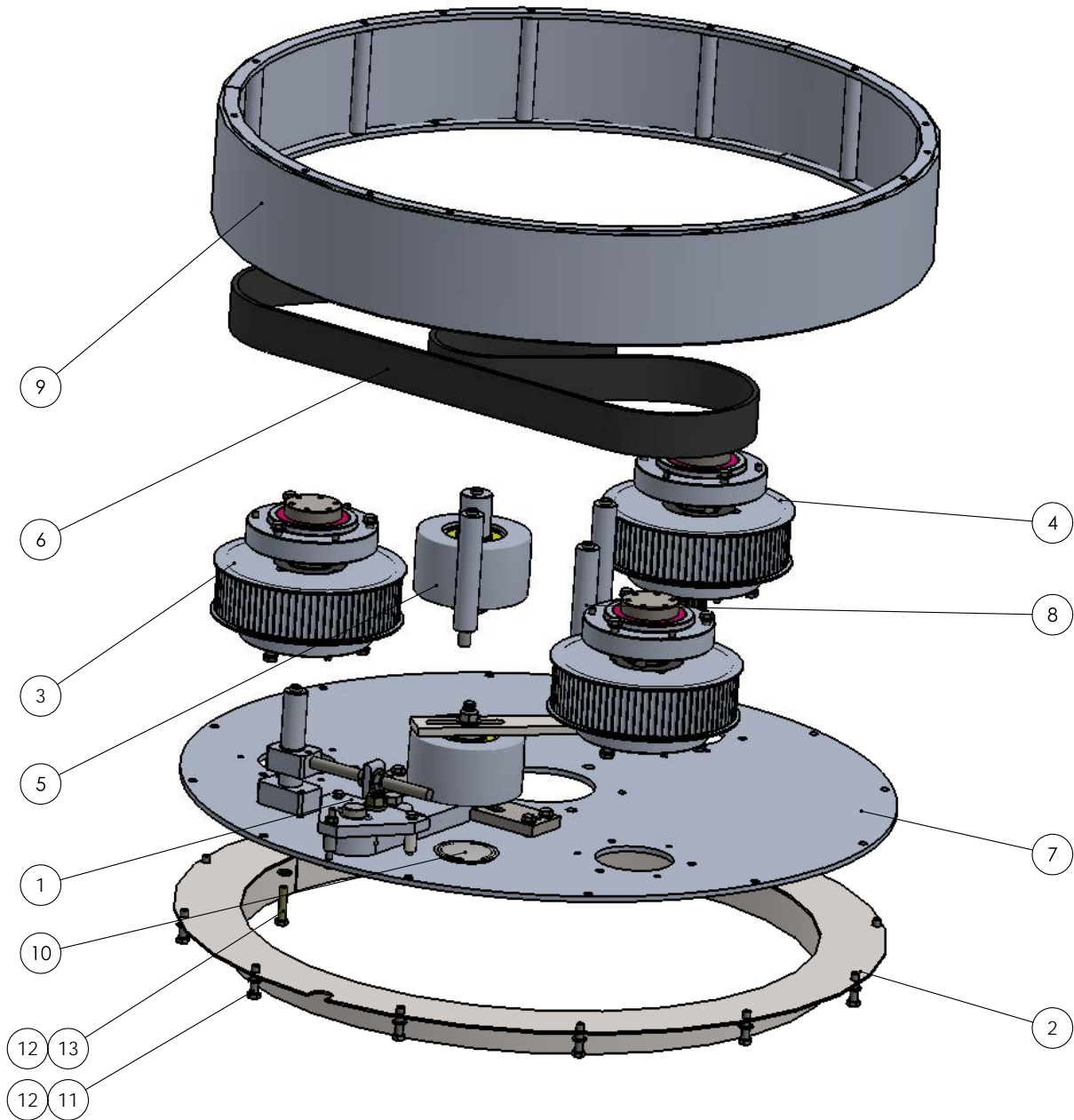
G-320 RING GEAR PLATE ASSEMBLY



G-320 RING GEAR PLATE ASSEMBLY

No.	Part Description	Qty.
1	APMF1190A - Q1 - 320 Upper Labrynth	1
6	APMF1522 - Q3 - P320 Center Drive Shaft	1
7	APMF2164 - Dodge Lock Bushing - 2012_1_3_4	1
8	APMF0255 - Gates Pulley - P40-8MGT-50	1
9	APMF1532 - GATES 8MX-90S-36	1
10	APMF1533 - Bushing - Propane Grinder - 3020-1-.375	1
11	97633A360 BLACK-FINISH STEEL EXTERNAL RETAINING RING	1
12	APMF0241 - R1 - Head Pivot	2
13	APMF1404 - R3 - Head Mounting Ear	2
14	APMF1110 - Bearing - 6217-2RS	1
15	APMF1174 - R1 - Motor Collar	1
16	APMF1184 - R1 - 320 Ring Gear	1
17	APMF1223 - Bearing - 6207 - LLU	1
18	APMF1527 - R1 - Corner Bracket	2
19	APMF1528 - R1 - Front Inspection Plate	1
20	APMF1766 - Oil Seal CR13569	1
21	APMF2144 - R2 - 320 Ring Gear Plate	1
22	APMF2165 - R1 - 6217 Bearing Cup	1
23	APMF2166 - R2 - 6207 Bearing Cup	1
24	APMF2170 - R4 - 320 Right Platform Riser	1
25	APMF2171 - R4 - 320 Left Platform Riser	1
26	APMF2172 - R1 - Rear Sprocket Guard	1
27	APMF2174 - R1 - Tensioner Screw Mount Bar	1
28	APMF2175 - R2 - Side Inspection Plate	2
29	G320 Center Shaft Spacer	1
30	APMF1153 - Flat Washer - .125 thk x .25id x 1 od	48
31	APMF - Oring	24
32	APMF - Spacer - Alum	12
33	APMF0048 - HHSS - .25 x 2.5 lg	12
34	APMF - Roll Pin - .25 x 1.5 lg	3
35	APMF - SHCS - .250-20 x 1.75 lg1	6
36	APMF2152 - Lock Washer - .25	6

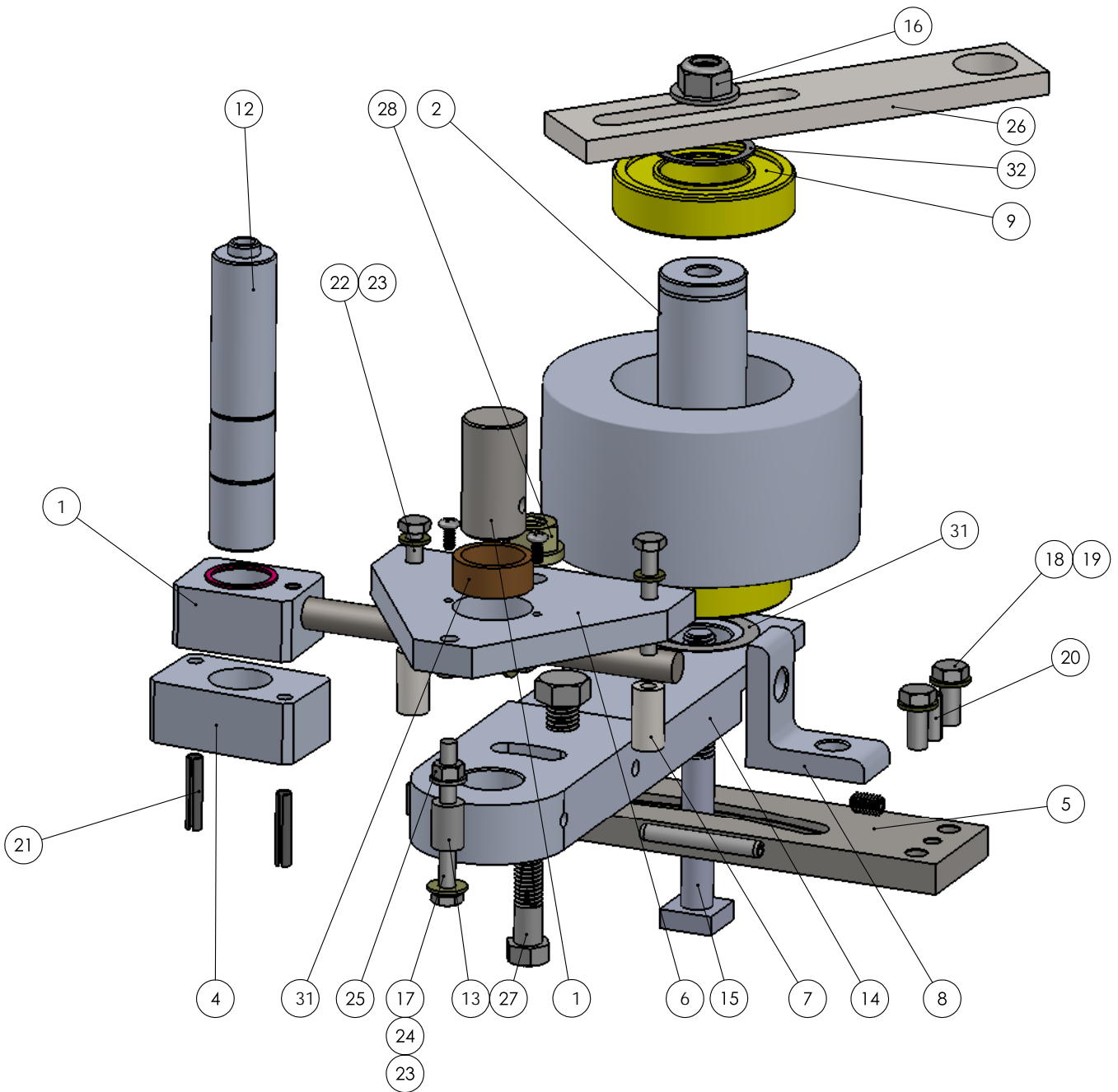
G-320 UPPER PLATE ASSEMBLY



G-320 UPPER PLATE ASSEMBLY

No.	Part Description	Qty.
1	APMF0306 - R2 - Tensioner Assembly	1
2	APMF1191 - R1 - 320 LOWER LABRYNTH SEAL	1
3	APMF6040 - R1 - Spindle Assembly without Pinion	2
4	APMF6041 - R1 - Spindle Assembly with Pinion	1
5	APMF2162A - R2 - G320D-DP Idler Roller Assembly	1
6	APMF0254 - R1 - Belt	1
7	APMF0268 -R3 - Upper Pulley Box Cover Plate	1
8	APMF1025 - R2 - GEARBOX SPACER ASSY	3
9	APMF0251 - R1 - Pulley Box Assembly	1
10	2.5 IN PLASTIC PLUG	1
11	APMF0050 - HHSS - .313-18 x 1.25 lg1	12
12	APMF0157 - Lock Washer - 5-16	13
13	APMF4423 - HHSS - .313-18 x 1.50 lg	1

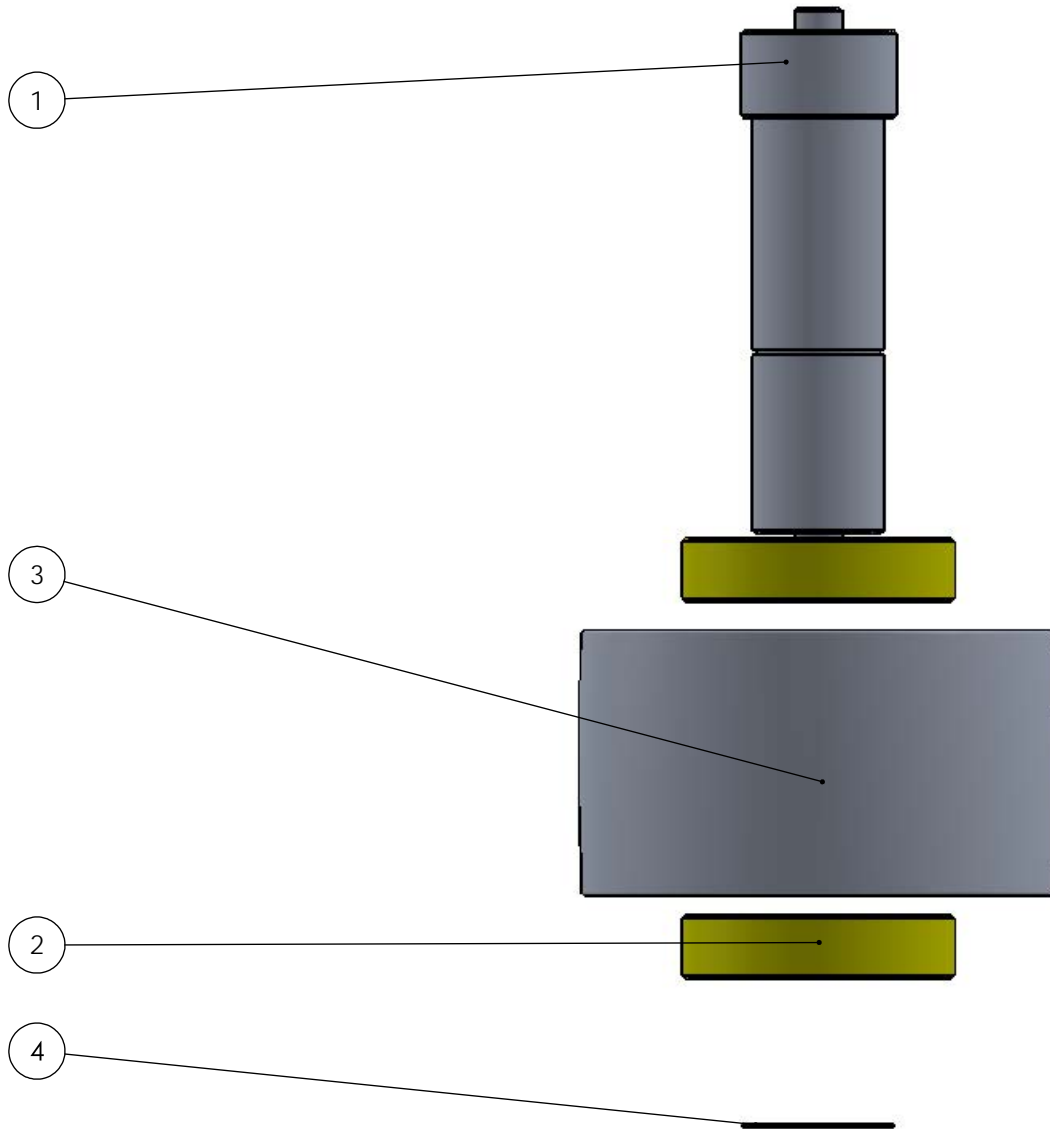
G-320 TENSIONER ASSEMBLY



G-320 TENSIONER ASSEMBLY

No.	Part Description	Qty.
1	APMF1059 - R1 - Tensioner Block	1
2	APMF0286 - R1 - Tensioner Shaft #1	1
3	APMF0289 - R1 - Bearing Sleeve	1
4	APMF0291 - R1 - Tensioner Block 1	1
5	APMF0292 - R1 - Tensioner Clamp Bar	1
6	APMF0293 - R1 - Tensioner Arm Retainer	1
7	APMF0294 - R1 - .25 ID X 1 lg. Spacer	2
8	APMF0296 - R1 - Angle - Tensioner	1
9	APMF1223 - Bearing - 6207 - LLU	2
10	APMF2161 - R1 - Tension Crowned Roller	1
11	APMF0287 - R1 - Tensioner Shaft #2	1
12	APMF0288 - Q1 - Shaft #3 Tensioner	1
13	APMF0295 - R1 - Spacer # 2	1
14	APMF0285 - R2 - Tensioner Arm	1
15	APMF TEE BOLT .50 X 4.5	1
16	APMF .5 -13 FLANGE LOCK NUT	1
17	APMF0048 - HHSS - .25 x 2.5 lg1	1
18	APMF - HHSS - .313-18 x .75 lg1	4
19	APMF0157 - Lock Washer - 5-16	4
20	APMF1701 - Spring Pin -.250 x .75 lg	2
21	APMF1096 - Roll Pin - .25 x 1.2 lg	2
22	APMF0205 - HHSS - .25 x 1.75 lg1	2
23	APMF2152 - Lock Washer - .25	3
24	APMF0171 - Flat Washer - .25	1
25	APMF0319 - Nylock Flange Nut - .25-21	1
26	APMF8037 - Q1 - UPPER TENSIONER ARM	1
27	APMF HHCS 7-16 -14 X 1.75	1
28	APMF Flange Nut - 716-14	1
29	APMF0143 - Flat Washer - .50	2
30	APMF0170 - R1 - .5-13 Jam Nut - ZP	2
31	APMF SHIM 0.015 X 1 3-8 IN OD	1
32	APMF0109 - Snap Ring - 35mm1	1

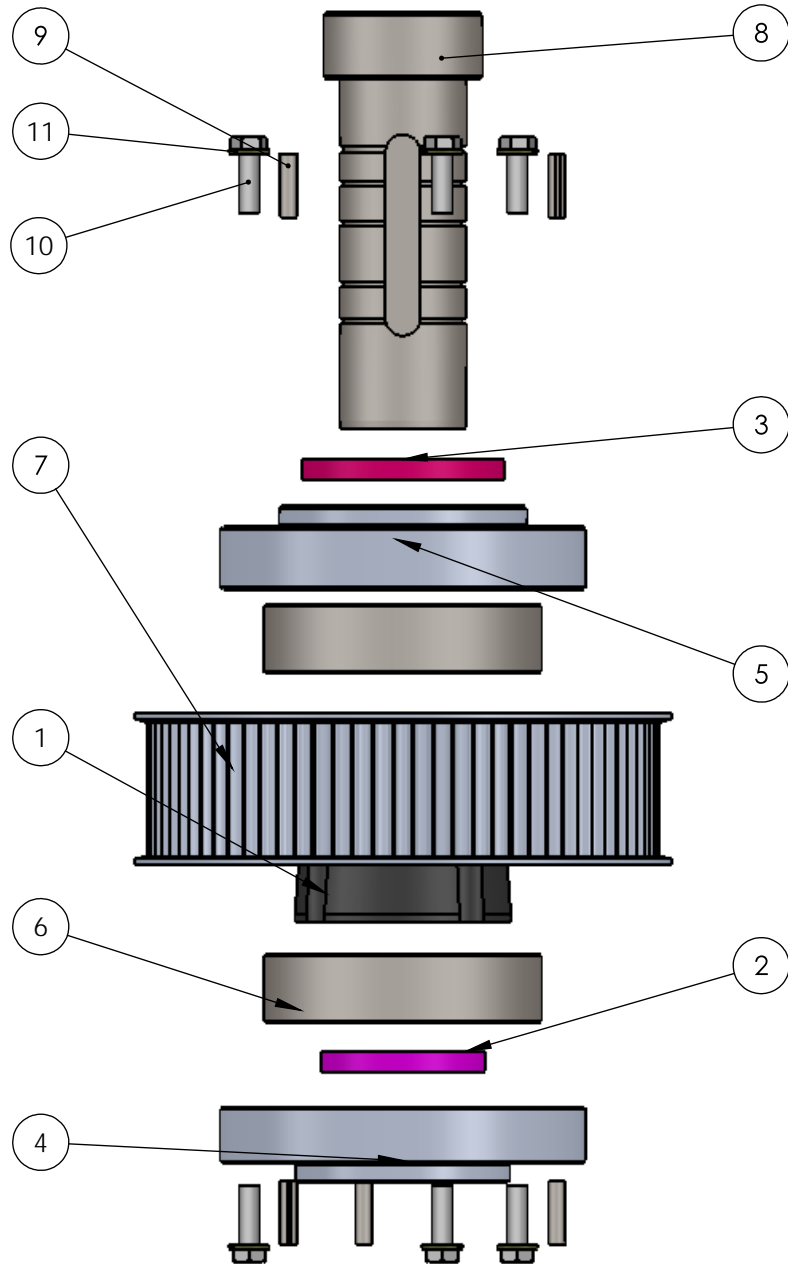
G-320 IDLER ROLLER ASSEMBLY



G-320 IDLER ROLLER ASSEMBLY

No.	Part Description	Qty.
1	APMF0245 - R3 - 320 IDLER SHAFT	1
2	APMF1223 - Bearing - 6207 - LLU	2
3	APMF2162 - R1 - 320 Idler Roller	1
4	APMF0109 - Snap Ring - 35mm1	1

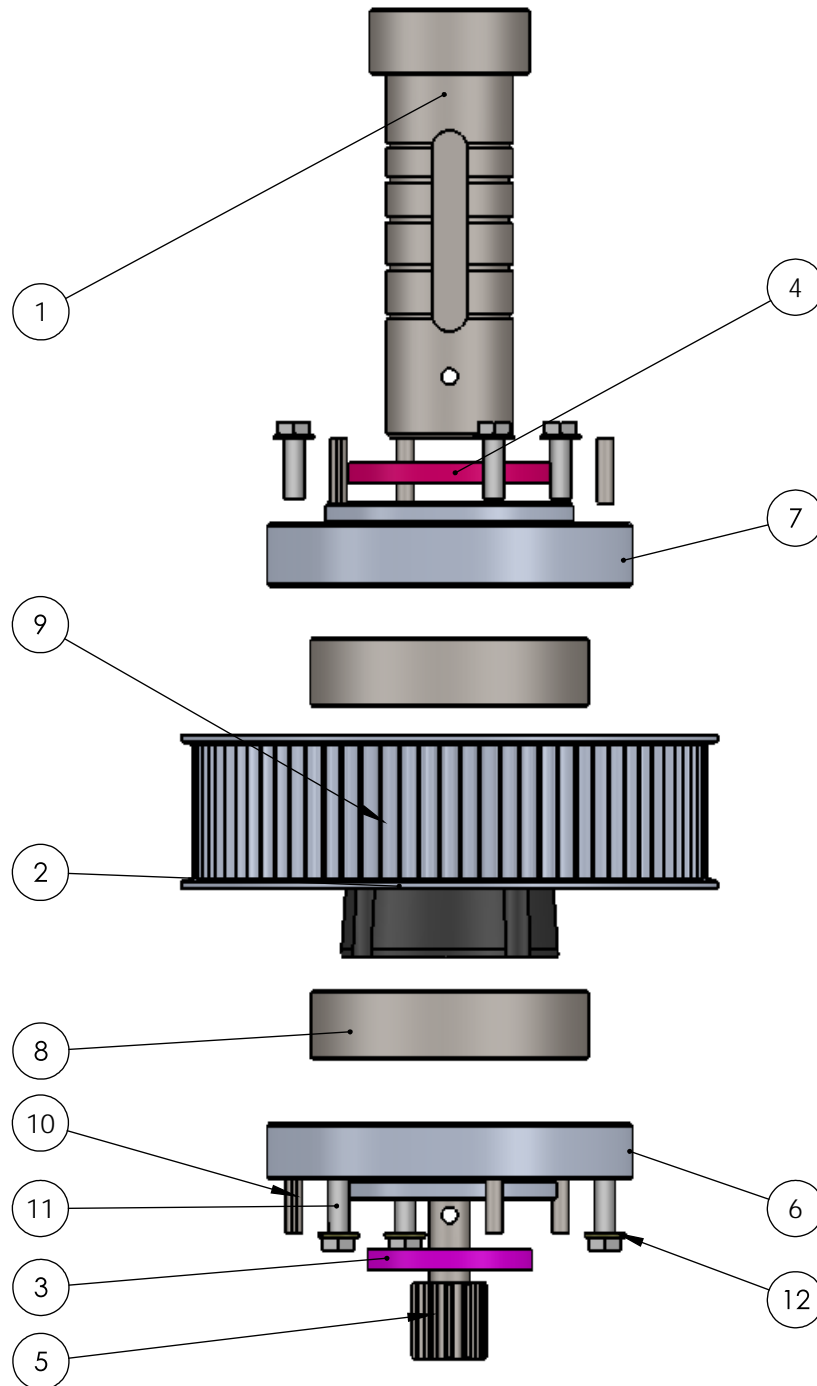
G-320 SPINDLE ASSEMBLY WITHOUT PINION



G-320 SPINDLE ASSEMBLY WITHOUT PINION

No.	Part Description	Qty.
1	APMF4321 - 2517 Bushing	1
2	APMF0067 - Oil Seal CR19606	1
3	APMF0114 - Oil Seal CR24725	1
4	APMF1023 - R1 - Upper Grinding Bearing Cup	1
5	APMF1024 - R3 - Lower Grinding Bearing Cup	1
6	APMF1045 - Bearing - 6310-LLU	2
7	APMF4306 - P80-8MGT-50 - Alumn	1
8	APMF4304 - R4 - Grinding Shaft without Pinion Gear	1
9	APMF - Roll Pin - .25 x 1.0 lg	6
10	APMF - HHSS - .313-18 x 1.00 lg1	6
11	APMF0157 - Lock Washer - 5-16	6

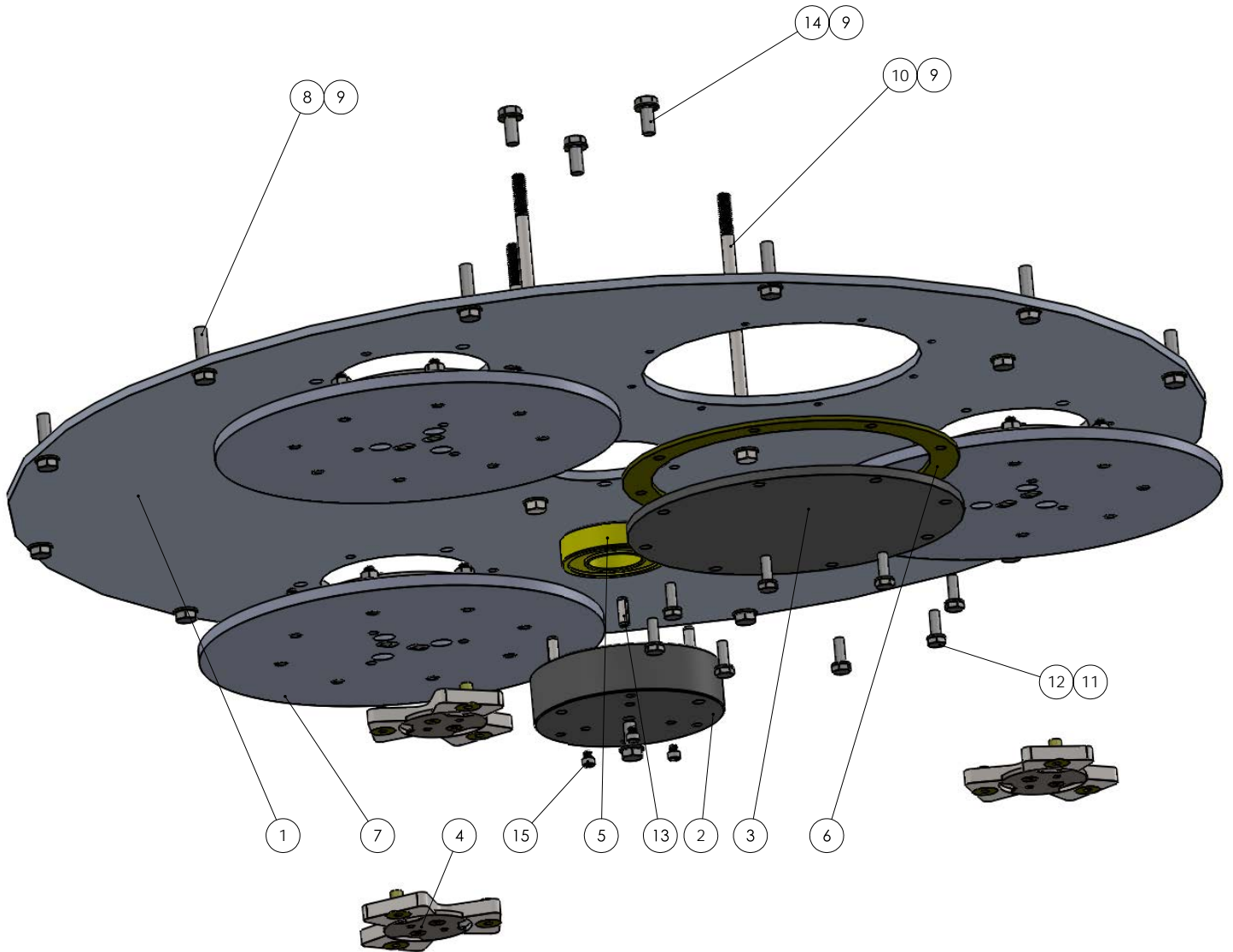
G-320 SPINDLE ASSEMBLY WITH PINION



G-320 SPINDLE ASSEMBLY WITH PINION

No.	Part Description	Qty.
1	APMF6375 - R3 - Grinding Shaft For Pinion Gear	1
2	APMF4321 - 2517 Bushing	1
3	APMF0067 - Oil Seal CR19606	1
4	APMF0114 - Oil Seal CR24725	1
5	APMF0247 - R1 - 320 Ring Gear Pinion	1
6	APMF1023 - R1 - Upper Grinding Bearing Cup	1
7	APMF1024 - R3 - Lower Grinding Bearing Cup	1
8	APMF1045 - Bearing - 6310-LLU	2
9	APMF4306 - P80-8MGT-50 - Alumn	1
10	APMF - Roll Pin - .25 x 1.0 lg	6
11	APMF - HHSS - .313-18 x 1.00 lg1	6
12	APMF0157 - Lock Washer - 5-16	6

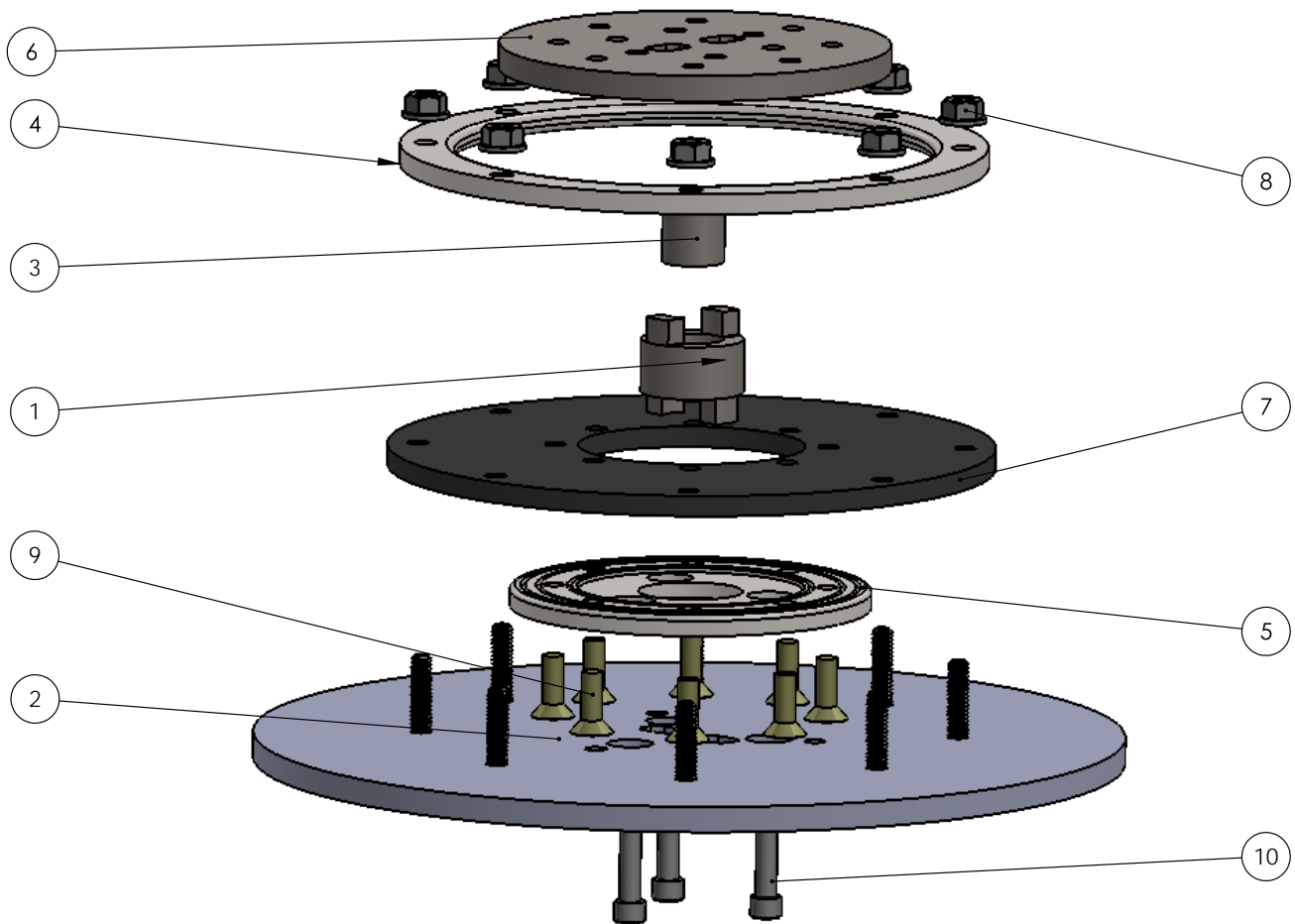
G-320 LOWER PLATE ASSEMBLY



G-320 LOWER PLATE ASSEMBLY

No.	Part Description	Qty.
1	APMF0269 - R7 - Lower Cover Plate	1
2	APMF1021 - R1 - Pulley Box Lower Motor Bearing Cup	1
3	APMF1055 - R1 - 320 Tensioner View Plate	1
4	APMF1199 - R1 - Cross Complete	3
5	APMF1223 - Bearing - 6207 - LLU	1
6	APMF3618 - R1 - 320 Tensioner View Plate Gasket	1
7	GPPT0392 - R1 - Flex Head Assembly	3
8	APMF0050 - HHSS - .313-18 x 1.25 lg1	12
9	APMF0157 - Lock Washer - 5-16	18
10	APMF HHCS 5-16 X 7	3
11	APMF2152 - Lock Washer - .25	8
12	APMF - HHSS - .25-20 x .75 lg1	8
13	APMF1701 - R1 - .25x.75 Spring Pin	3
14	APMF - HHSS - .313-18 x .75 lg1	3
15	"91251A901 BLACK-OXIDE ALLOY STEEL SOCKET HEAD CAP SCREW"	3

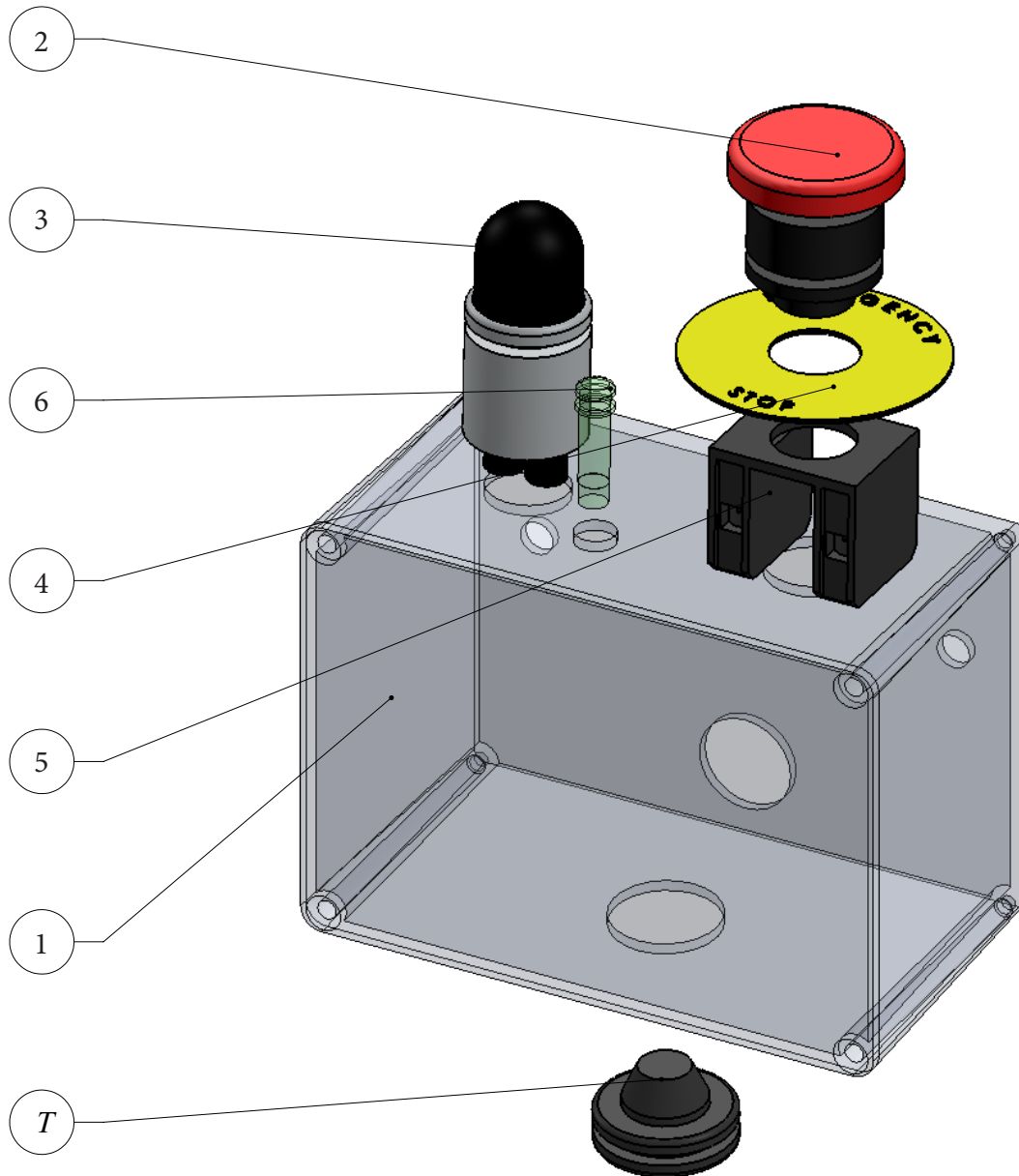
G-320 FLEX HEAD ASSEMBLY



G-320 FLEX HEAD ASSEMBLY

No.	Part Description	Qty.
1	APMF0316 - R1 - Drive Shaft	1
2	APMF0309 - R2 - 320 BACKING PLATE	1
3	APMF0317 - Die Spring	1
4	APMF1038 - R3 - Outer Polycord Holder	1
5	APMF1039 - R2 - Inner Polycord Holder - Grooved	1
6	APMF2204 - R3 - Grinding Disc Mounting Plate	1
7	APMF1818 - R2 - Diaphragm	1
8	APMF0319 - Nylock Flange Nut - .25-21	8
9	APMF1145 - FHSS - .25-20 x .75	8
10	FM-00003-R1E - SHCS - .250-20 x 1.0 lg1	3

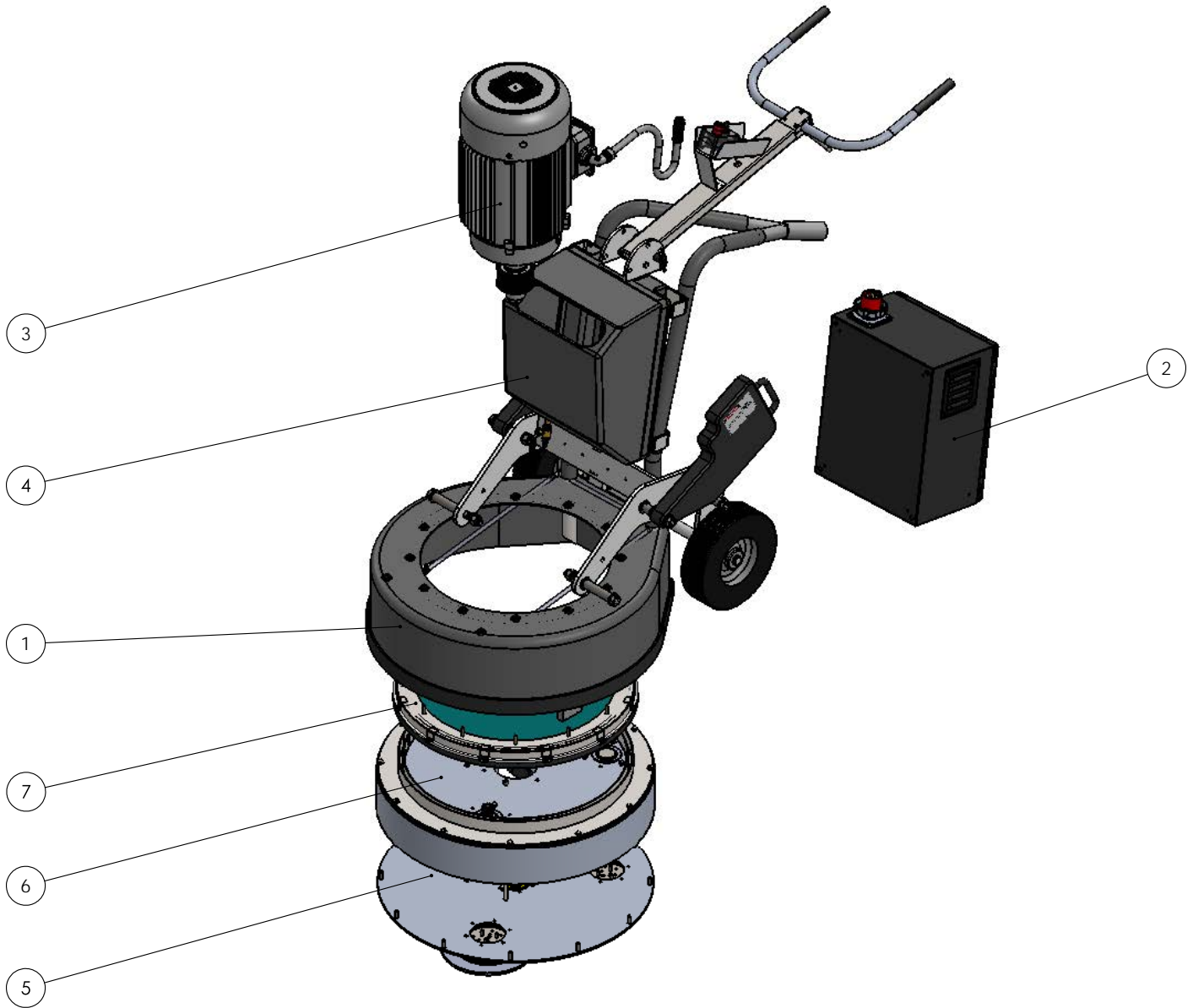
G-320 PROPANE CONTROL BOX



G-320 PROPANE CONTROL BOX

No.	Part Description	Qty.
1	APMF1964 - R2 - Control Box for G320DP	1
2	APMF1973 - R1 - Emergency Stop Button	1
3	APMF2141 - R1 - Engine Starter Button	1
4	APMF1982 - R1 - Legend Plate	1
5	APMF1974 - R1 - Contact Block G320DP	1
6	APMF2224 - R1 - Green LED	1
7	APMF3685 - R1 - USB Charging Jack	1

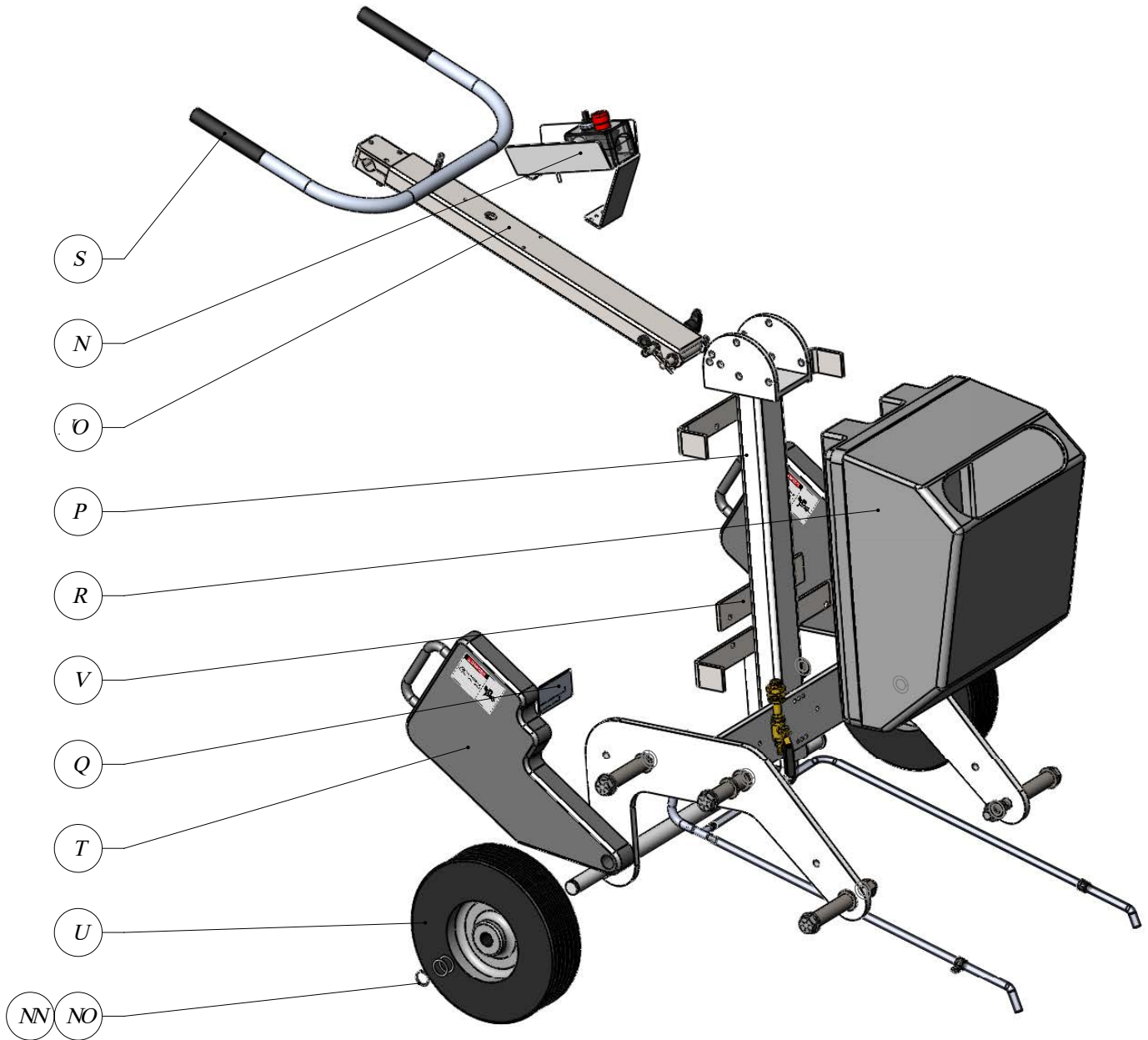
G-320 ELECTRIC FRAME BREAKDOWN



G-320 ELECTRIC FRAME BREAKDOWN

No.	Part Description	Qty.
1	APMF0282 - R1 - Shroud Assembly - 320D	1
2	APMF1846A - R1 - Electrical Assembly	1
3	APMF0256A - R1 - Engine Assembly	1
4	APMF1185A - R2 - E320 Frame Assy	1
5	APMF2202 - R1 - Lower Plate Assembly	1
6	APMF2233 - Upper Plate Assembly	1
7	APMF4312A - R1 - Ring Gear Plate Assembly	1

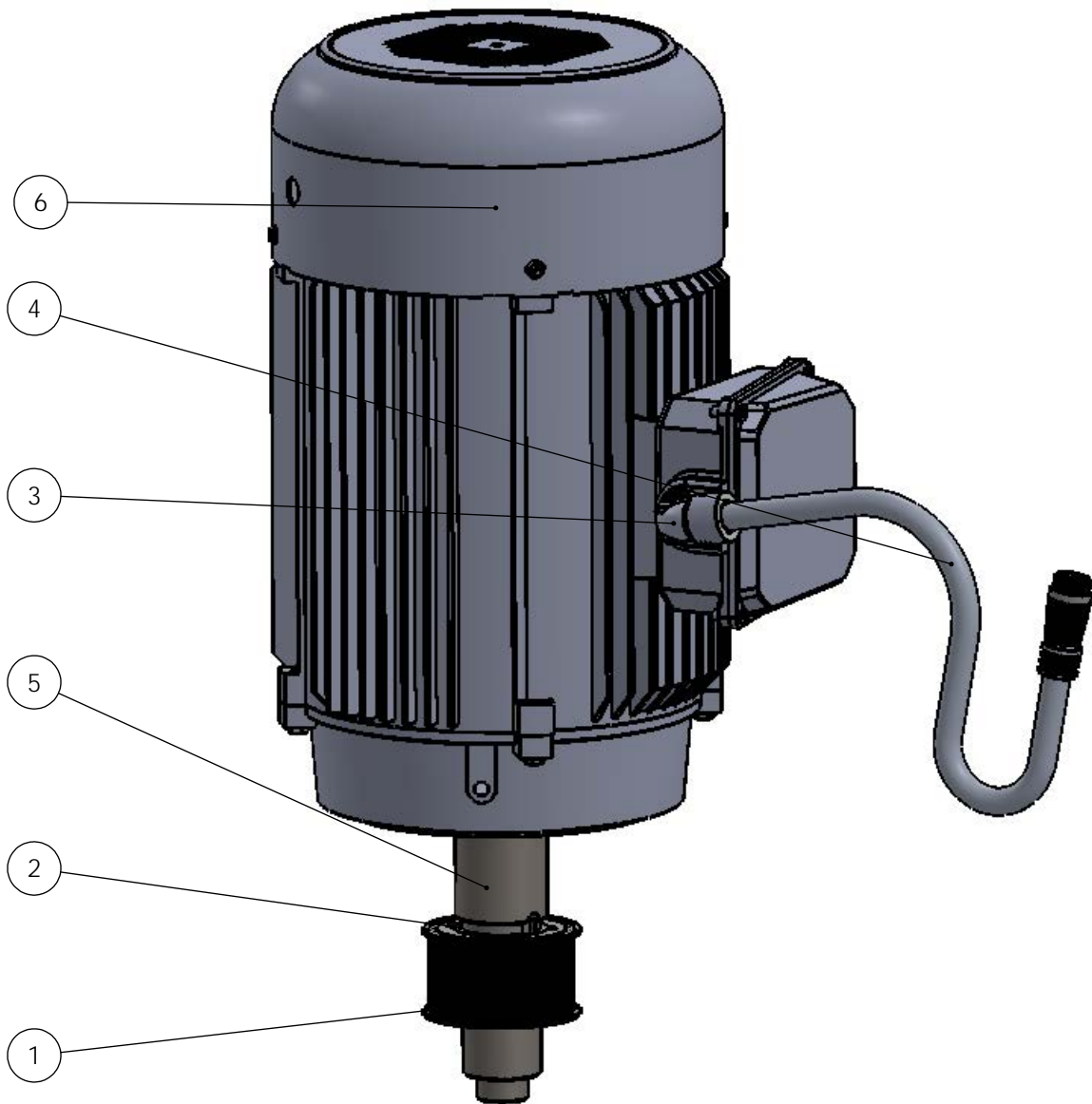
G-320 ELECTRIC FRAME ASSEMBLY



G-320 ELECTRIC FRAME ASSEMBLY

No.	Part Description	Qty.
1	APMF1058A - R1 - Control Mount Assembly	1
2	APMF1072A - R2 - E250 E320 Tiller Arm Assy	1
3	APMF1285 - R1 - Frame Assembly	1
4	APMF0001 - R1 - Serial Plate	1
5	APMF0253 - R1 - Water Tank	1
6	APMF1189 - R1 - Handle Bar Assembly	1
7	APMF1290 - R1 - P320 Weight	2
8	GPPT0190 - Wheel and Tire Assembly	2
9	APMF1319 - R1 - Flat Water Tank Bracket	1
10	APMF4192 - R2 - ELECTRIC TANK BRACKET	2
11	95606A280 NYLON FLAT WASHER	4
12	"97633A300 BLACK-FINISH STEEL EXTERNAL RETAINING RING (1)"	2

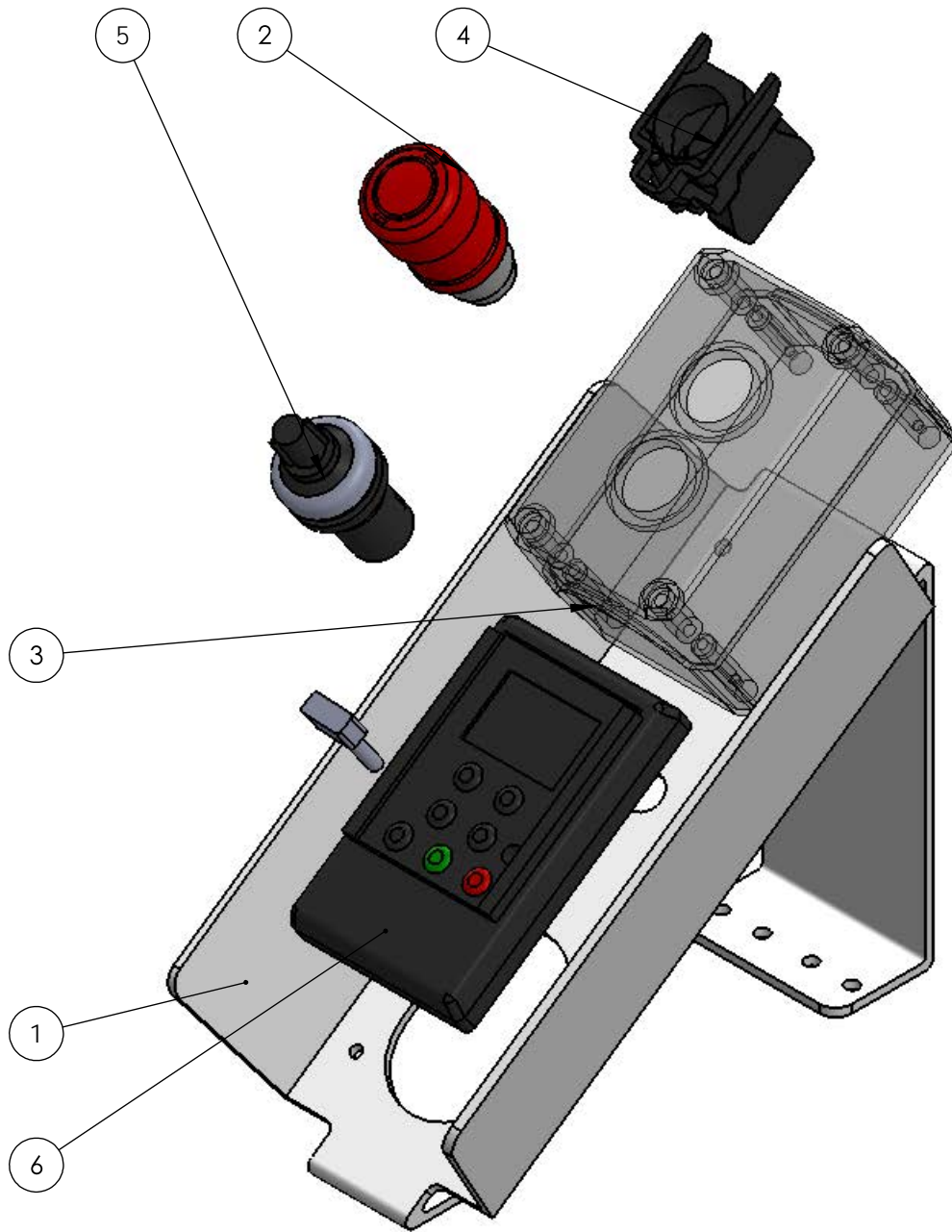
G-320 ELECTRIC BREAKDOWN



G-320 ELECTRIC BREAKDOWN

No.	Part Description	Qty.
1	APMF0255 - Gates Pulley - P40-8MGT-50	1
2	APMF0321 - Gates Bushing - 2012_2_1_8	1
3	APMF1393 - R1 - NHC1037-F-390 90 Degree	1
4	APMF1384 - R1 - Motor Plug	1
5	APMF0246 - R5 - E320 Center Drive Shaft	1
6	APMF0256 - MOTOR 20HP 256TC DOWNLOAD	1

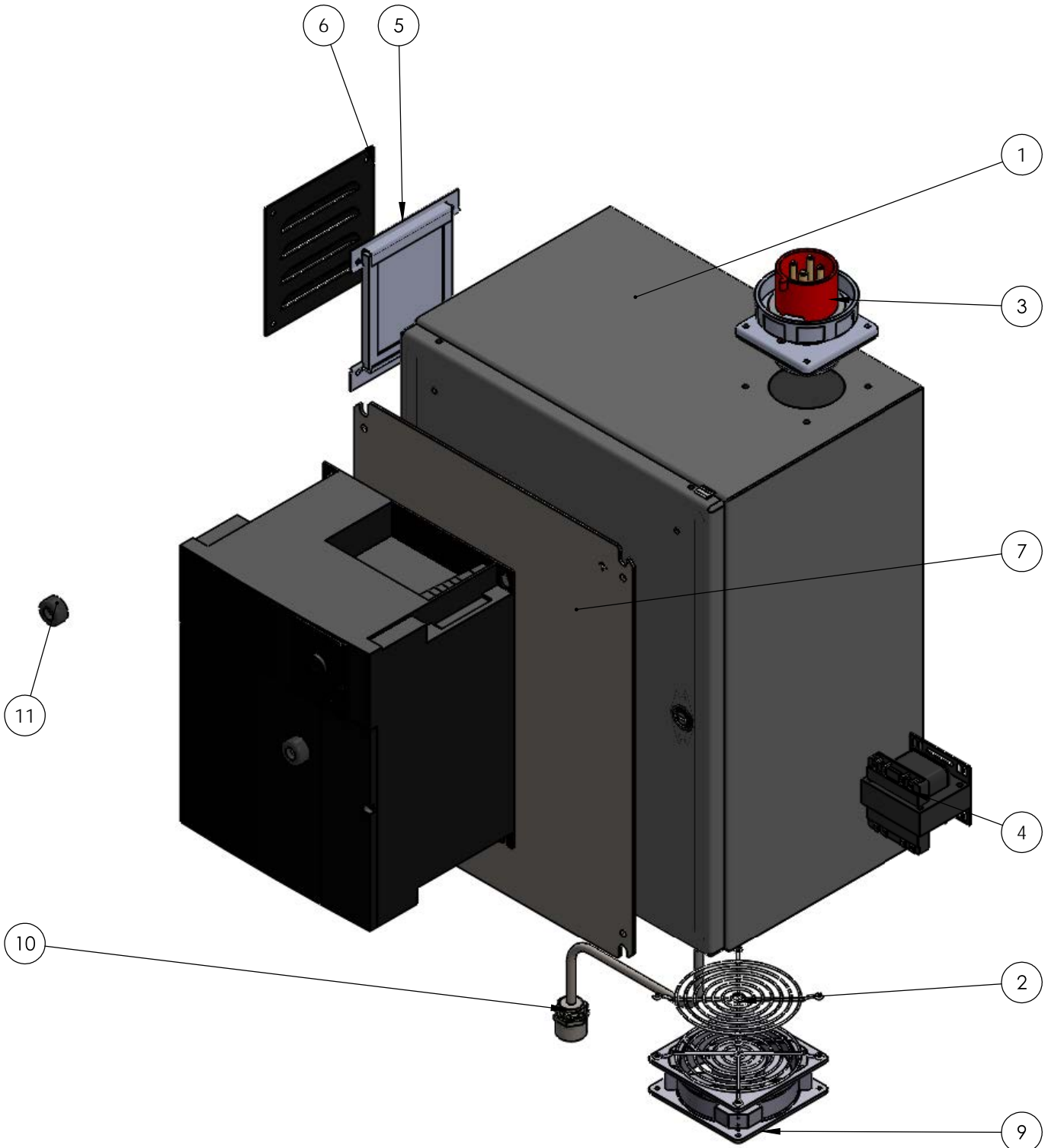
G-320 ELECTRIC CONTROL MOUNT



G-320 ELECTRIC CONTROL MOUNT

No.	Part Description	Qty.
1	APMF1058 - R1 - Motor Control Bracket	1
2	APMF1353 - R1 - E-Stop	1
3	APMF1281 - R1 - Two Button Enclosure	1
4	APMF1229 - R1 - Contact Mounting Block	1
5	APMF1231 - R1 - Clarostat	1
6	APMF4452 - Altivar Remote Keypad	1
7	APMF4453 - CABLE REMOTE KEYPAD (not pictured)	1

G-320 ELECTRIC ASSEMBLY



G-320 ELECTRIC ASSEMBLY

No.	Part Description	Qty.
1	APMF1294 - R1 - Enclosure - WITH HOLES -CSD201610	1
2	GPPT0367 - R1 - Finger Guard	1
3	APMF1240 - R1 - Hubbell HBL430B7W	1
4	APMF1239 - R1 - Transformer S9070T50D1	1
5	APMF1238 - R1 - Filter Kit	1
6	APMF1237 - R1 - Louver Plate Kit	1
7	APMF1122 - R1 - Electrical Box Backing Plate	1
8	APMF4451 - Altivar 20 HP VFD 480V	1
9	APMF1236 - R1 - Compact Cooling Fan	1
10	APMF1120 - R1 - Linkosity Female Receptacle 30A 4W1	1
11	APMF0129 - R1 - Electrical Box Rubber Bumpers	2



ALLIANCE DISTRIBUTOR NETWORK

The CPS Alliance Distributor Network has over 30 locations located all over North America. This ex network allows CPS concrete grinding & polishing equipment, diamond tooling and chemicals to always be near you as well as access to concrete preparation and polishing experts ready to help - no matter where you are!



Concrete Polishing Solutions

184 Cedar Place | Norris, TN 37828

PO Box 520 | Norris, TN 37828

www.go2cps.com | 1 (877) 472-8200

© 2021 Concrete Polishing Solutions, All Rights Reserved.

VERSION: 2021-09-01:2-50