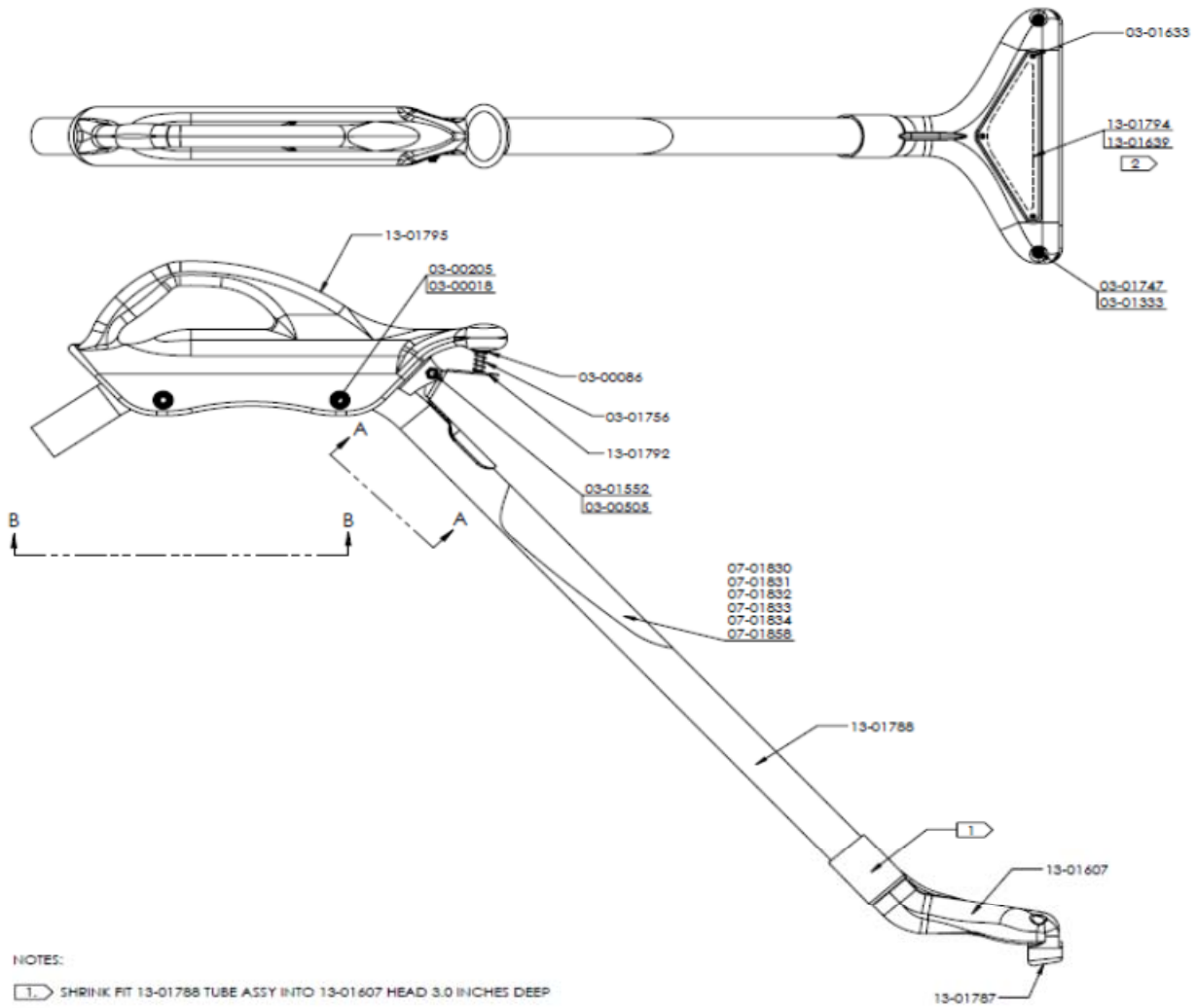


Extraction tool

Model: F511

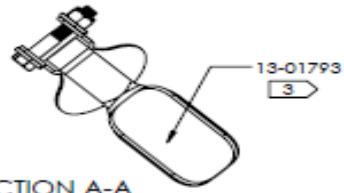
| Find # | Part# | Part Description | Qty | UOM |
|--------|-----------|---|-----|------|
| | 03-00018 | WASHER - 1/4 SAE .281 ID X .625 OD X .06 ZP | 4 | EACH |
| | 03-00086 | WASHER - 5/16 USS .375 ID X .875 OD X .08ZP | 1 | EACH |
| | 03-00205 | SCREW - 1/4-20 X 3/4 SER HWH NYLOC ZP | 4 | EACH |
| | 03-00209 | SCREW - 1/4 -20 X 1/2 SER HWH NYLOC ZP | 1 | EACH |
| | 03-00505 | NUT - 3/8-16 NYLOC ZP | 1 | EACH |
| | 03-01333 | WASHER - 5/32 RIVET .16 ID X .43 OD X .06 AL | 2 | EACH |
| | 03-01552 | SCREW - AXLE 3/8-16 X 2 1/4 W/OUT NUT | 1 | EACH |
| | 03-01633 | SCREW - #6-32 X .50 PHIL FH ZP | 3 | EACH |
| | 03-01747 | SCREW - #6 x 1.5 PHP ZP | 2 | EACH |
| | 03-01756 | SPRING - .60 X 1.25 X .045 8LB ZP | 1 | EACH |
| | 07-01830 | LABEL - PRODUCT (EXTRACTION TOOL) | 1 | EACH |
| | 07-01859 | PACKAGING ASSY - EXTRACTION TOOL | 1 | EACH |
| | 13-01607 | HEAD - POLYETHYLENE FISHER BLUE | 1 | EACH |
| | 13-01639 | GASKET - WINDOW 1/4 X 1/16 | 1 | EACH |
| | 13-01787 | GLIDE - EXTRACTOR | 1 | EACH |
| | 13-01788i | TUBE ASSY | 1 | EACH |
| | 13-01792 | TRIGGER - VAC RELEASE (EXTRACTOR)Send Rev C Drawing | 1 | EACH |
| | 13-01793 | GASKET - VAC RELEASE | 1 | EACH |
| | 13-01794 | WINDOW - EXTRACTOR PC CLEAR | 1 | EACH |
| | 13-01795 | HANDLE ASSY - POLYETHYLENE FISHER BLUE | 1 | EACH |

Pictorial Drawing

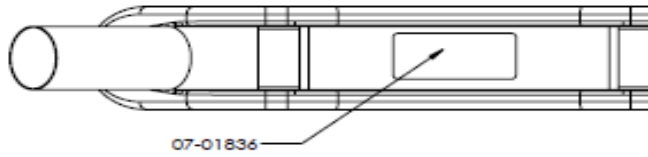


NOTES:

- 1. SHRINK FIT 13-01788 TUBE ASSY INTO 13-01607 HEAD 3.0 INCHES DEEP
- 2. APPLY ADHESIVE SIDE OF 13-01639 GASKET TO 13-01794 WINDOW
- 3. APPLY ADHESIVE SIDE TO 13-01793 GASKET TO 13-01792 TRIGGER



SECTION A-A
SCALE 1 : 4
TRIGGER DETAIL



SECTION B-B
SCALE 1 : 4