



## **OPERATING INSTRUCTIONS**

**C 1300**

**C 3000**

**C 5500**

**READ ALL INSTRUCTIONS BEFORE  
USING**

# Introduction

Dear Customer,

Thank you for choosing Ermator as your supplier.

We hope that the model C1300/C3000/C5500 pre-separator will be to your satisfaction and meet your expectations.

Ermator AB has been manufacturing professional dust extractors since 1967 and has over the years acquired a genuine technical knowledge in this area.

## **Notice!**

**These instructions are only for pre-separators C1300/C3000/C5500.**

**Pre-separators C1300/C3000/C5500 can only be used with dry, non-explosive materials.**

**Ermator will not be held responsible if the pre-separator is used for other applications or been used in ways other than those outlined in this instruction manual.**

**Before using the machine, please safety regulations carefully.**

**Read the complete instruction manual before using the pre-separator.**

**All spare parts used for pre-separator types C1300/C3000/C5500 must be those specified by Ermator**

## **Unpacking**

When unpacking the machine, please check for damage and that the following accessories are included:

- The hose with end fittings

If the of above-mentioned part are missing, please contact your local distributor or our sales representative. Assemble the front wheels by using the bolt, washer and nut that are included in the package.

## **Safety Instructions**

### **Handling**

#### **Warning**

- Make sure the assembly area is firm, so the vacuum cleaner does not tip over. Risk of personal and material injury.
- 

#### **Warning**

- Risk of pinching when handling the toggle fastener.

#### **Warning**

- The machine must not be used in environments where explosive gases may be present. Serious risk of explosion.

### **Service**

#### **Warning**

- Dust can be spread when cleaning the device that can be dangerous to health. Accordingly, the user should wear protective glasses, protective gloves, and a breathing mask conforming to protection class FFP3

#### **Warning**

- Do not puncture the longopac bag. Risk of dust dispersion.

## Function

**The machine is intended for pre-separating dry, not combustible dust.**

The pre-separator must be attached to a vacuum cleaner with right capacity. When the vacuum cleaner is started, the dust-laden air is then sucked through the inlet valve at high speed via the suction hose. The air is slowed down by the cyclone and coarse dust particles are separated out, partly by centrifugal force and partly by gravity. Air and finer particles then lift through the tank and through the hoses attached to the vacuum cleaner.

The separated dust accumulates in the cyclone until the vacuum cleaner is switched off, when it drops through the bottom flap into the plastic bag.

## Service

**When cleaning and servicing the machine, the machine must be disconnected from the vacuum cleaner.**

- Avoid cleaning with high a pressure cleaner. If this is necessary, do not direct at the openings on the machine, especially the opening for the cooling air.
- Before moving the machine from the work area, the machine must be cleaned. Furthermore, the inlet must be locked using the expanding plug attached.
- All other equipment must be regarded as contaminated and be treated thereafter.
- If possible, use a special suitable room.
- Proper personnel protective equipment must be used.
- After service, all parts which are contaminated must be correctly disposed of in plastic bags according to all regulations.
- If the vacuum cleaner has to be used for other purposes, it is extremely important that the vacuum cleaner is cleaned, to avoid the spread of hazardous dust.

## Accessories

<b>Part.no.</b>	<b>Description</b>	<b>No/machine</b>
1376013	Longopac (4-pcs)	1 pc

For other spare parts, see the enclosed spare parts list.

## Warranty

All Vacuum cleaners and accessories have a 12-month factory warranty for material and manufacturing defects. Do not attempt to repair the suction apparatus without the consent of the manufacturer.

The warranty does not cover defects which are the result of normal wear and tear, negligence, defective use, unauthorised repair or the suction apparatus being connected to the incorrect voltage. In the event of any complaint, the suction apparatus or an agreed part of it must be returned to us or our authorised representative for warranty examination and for any warranty repair or replacement.

## Problem solving

The pre-separators C1300/C3000/C5500 are designed and manufactured for a severe environment and tasks, but the user must note that the machine components must be protected from knocks and blows. Sealing connections are carefully chosen for the environment of the operator. Therefore, the machine must be handled with care if it is to work for many years.

<b>Problem</b>	<b>Cause</b>	<b>Procedure</b>
Poor suction	Damage to the hose	Change hose
	Top cover loose	Adjust
	Dirt in the flap	Clean the flap.
		<i>Use protective equipment</i>
	Sealing defective	Change current seal

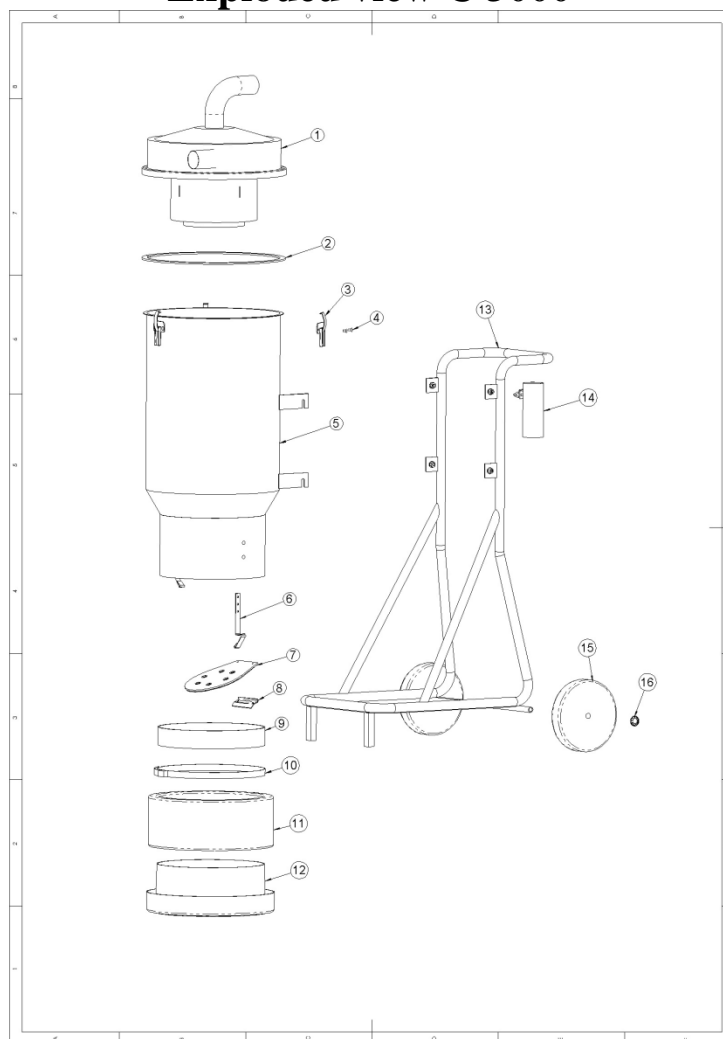
**KEEP THESE INSTRUCTIONS!**

# TECHNICAL DATA

	<b>C1300</b>	<b>C 3000</b>	<b>C 5500</b>
HOSE	3 m Ø 38 mm	2.5 m x Ø 50 mm	10 m x Ø 76 mm
INLET	Ø 38 mm	Ø 50 mm	Ø 76 mm
DUST STORAGE SYSTEM	Container	Longopac	Longopac
DIMENSION LxWxH (mm)	420x485x840	700x500x1430	580x720x1590-1890
WEIGHT		22 kg 48 lbs	46 kg 101 lbs

# C1300

## Sprängskiss C 3000 Exploded view C 3000



Nr	Art. Nr.	Benämning / Description	Antal / Qty
1	1275024	Separatorhus / Pre separator housing	1
2	1351222	Tätning / Sealing	1
3	1341004	Hänken / Clamp	3
4	1359015	Popnit / poprivit	8
5	1322114	Tank / Tank	1
6	200500070	Longopack fjäder / Longopack spring	2
7	200500172	Lock / Flapp	1
8	1341027	Hållare / Bracket	1
9	1351145	Glidskydd / Anti-skid	1
10	1371001	Rem / Belt	1
11	1376013	Longopack / Longopack (4-pack)	1
12	200500110	Longopack hållare / Longopack holder	1
13	1323036	Vagn / Wagon	1
14	1342070	Buntbandshållare / Strip holder	1
15	1343004	Hjul / Wheel	2
16	1342052	Hjul lås / Wheel locker	2



# C5500







***Ermator***