

REVISED STARTING
SERIAL # 110710019

PARTS LIST MANUAL

MODELS 2EC AND 2GC



ELECTRIC MODEL



GASOLINE MODEL



PROPANE MODEL

DUAL-DISC CONCRETE FLOOR GRINDERS

SKU #	MODEL #	POWER OPTION
50100	2EC-1.5HP	ELECTRIC MOTOR 1.5HP 60Hz 1-PHASE 115/230V
51300-50	2EC-2B/50	ELECTRIC MOTOR 2HP 50Hz 1-PHASE 110/220V
50800	2EC-3B	ELECTRIC MOTOR 3HP 60Hz 1-PHASE 230V
51800	2GC-5.5H	HONDA GASOLINE ENGINE MODEL GXV160
51400	2GC-11H	HONDA GASOLINE ENGINE MODEL GXV340
54800	2GC-11P	HONDA PROPANE ENGINE MODEL GXV340 115V STARTER



100 Thomas Johnson Drive, Frederick, MD 21702-4600 USA
 Phone (301) 663-1600 • 1-800-638-3326
 Fax (301) 663-1607 • 1-800-447-3326
 Website: www.edcoinc.com
 Email: sales@edcoinc.com

Printed in USA

JWA ©2011

READ AND UNDERSTAND THE OPERATORS INSTRUCTION MANUAL THOROUGHLY BEFORE ATTEMPTING TO OPERATE THIS EQUIPMENT. Death or serious injury could occur if this machine is used improperly.



SAFETY MESSAGES



The safety instructions are preceded by a graphic alert message of DANGER, WARNING, or CAUTION.



Indicates an imminent hazard which, if not avoided, will result in death or serious injury.



Indicates an imminent hazard which, if not avoided, can result in death or serious injury.



Indicates hazards which, if not avoided, could result in serious injury and or damage to the equipment.

GASOLINE Powered Equipment



- Do not operate gasoline powered equipment without adequate ventilation. Carbon monoxide is an invisible, odorless gas that can kill.

ELECTRICAL Powered Equipment



- ELECTRICAL HAZARD** - Be sure equipment is properly grounded. Failure to comply could kill or result in serious injury.



The engine exhaust from this product contains chemicals known to the State of California to cause cancer, birth defects or other reproductive harm.

GENERAL INSTRUCTIONS



- You must read and understand the operators instruction manual and all other manuals associated with this machine. For your safety and the safety of others around you, it is extremely important to fully understand how to operate this machine in the way it was intended. Different model machines or older/newer versions of the same model may have different parts and controls that you need to understand. If instructions are not readable or available DO NOT USE this machine and contact the factory for a replacement Manual.
- You must be able to physically handle the bulk weight and power of this machine. If not properly controlled this machine can cause death or serious injury.
- Do not operate this machine in an impaired mental state. You must be able to exercise good judgement and reactions to maintain a safe working environment.
- This is a "one person" machine which means only one operator can be operating the machine at any one time. For the safety of others, maintain a safe operating distance to other personnel. Your work area should be defined and appropriately marked so bystanders and coworkers do not stand or walk near this machine and end up seriously injured by flying debris or exposing them to harmful noise or dust.
- This equipment is for Commercial use. Although this is a "one person" machine your work team should understand how to shut this machine off and quickly get medical help if an accident strikes the operator.
- Keep all guards in place during operation. The guards are to provide protection from inadvertent contact with dangerous moving parts, pinch points, or hot surfaces.
- Wear appropriate Personal Protective Equipment (PPE) including safety glasses, safety boots, work gloves, respiratory protection, hearing protection, and head protection. Do not wear loose clothing that can get tangled in moving parts. Failure to do so could result

in dismemberment or death. **Wear an approved respirator when removing hazardous materials or when grinding/cutting dry materials. Some dust particles such as concrete dust can contain silicate particles which can cause silicosis (a very serious lung disease). Contact NIOSH or OSHA for further details. When wet grinding/cutting, avoid contact with the concrete/asphalt slurry which can cause serious skin irritations.**

- You must maintain this machine per the maintenance schedule in the operator manual. Remember before adjusting, servicing, or fueling this machine, disconnect the source of power to the machine by disconnecting the spark plug (Gas models), or by unplugging the electrical power cord (electric models) or air hose (Pneumatic models) AT THE MACHINE so you can assure yourself it remains unplugged while you are working on it. Do not modify this machine. Use only genuine EDCO parts and accessories. Repairs and service should be performed by approved EDCO dealers or authorized technicians.
- You should look carefully around the area before you begin work so you can identify potential hazards such as deck inserts, pipes, columns, openings, electrical cords or outlets, or any other objects protruding from the slab surface.
- This machine has no brain so you must use your own. There is no substitute for safety. The safety decals on the machine are to serve as a reminder for information you must already know before you begin using this machine. Take a moment to reread the safety decals each time you use the machine. If your machine is missing any decals, contact the factory for a replacement (EDCO 1-800-638-3326).

PARTS LIST MANUAL

MODELS 2EC AND 2GC

DUAL-DISC CONCRETE FLOOR GRINDERS

TABLE OF CONTENTS

<u>Section</u>	<u>Page Number</u>
Safety Messages and General Instructions	2
How To Order Replacement Parts	3
Illustration 1: Main Grouping	4, 5
Illustration 2: Skirt, Vacuum Port & Water Hook-Up Grouping	6, 7
Illustration 3: Multi-Accessory Disc Assembly	8
Illustration 4: Tool Box & Multi-Disc Accessories	9
Illustration 5: Dyma-Sert™ & PCDyma-Sert™ Assemblies	10
Illustration 6: Strip-Sert™ Assembly	11
Illustration 7: Optional Pad Driver Assembly	12
Illustration 8: Optional Surfacers Disc Assembly	13
Illustration 9: Motor & Belt Drive Grouping for 1.5 HP Units	14, 15
Illustration 10: Motor & Belt Drive Grouping for 2HP 50Hz & 3HP 60Hz Units	16, 17
Illustration 11: Engine & Belt Drive Grouping for Honda GXV160	18, 19
Illustration 12: Engine & Belt Drive Grouping for Honda GXV340	20, 21
Illustration 13: Propane Grouping	22, 23
Illustration 14: Optional Weight Blocks & Tray	24
Illustration 15: Switch Wiring Diagram for 1.5HP Units	25
Illustration 16: Starter Wiring Diagram for 2 & 3 HP Units	26
Illustration 17: Motor Wiring Diagram for 1.5 HP Baldor	27
Illustration 18: Motor Wiring Diagram for 1.5 HP Leeson	28
Illustration 19: Motor Wiring Diagram for 2 & 3 HP Baldor	29
Notes	30, 31
Limited Equipment Warranty of Sale - Terms & Conditions	32 (Back Page)

HOW TO ORDER REPLACEMENT PARTS

- To insure product safety and reliability, always use genuine EDCO replacement parts when making repairs to the equipment.
- When calling for parts, specify the MODEL and SERIAL number of the machine, which can be found on the NAME PLATE. Keep that information in the space provided. In addition to this information, give part number, description, and quantity as listed on the parts list to your parts representative.
- Please note: Due to improvements and changes in the equipment, the illustrations shown may be different than the actual machine.

FILL IN INFORMATION BELOW

Date of Purchase _____

Model # _____

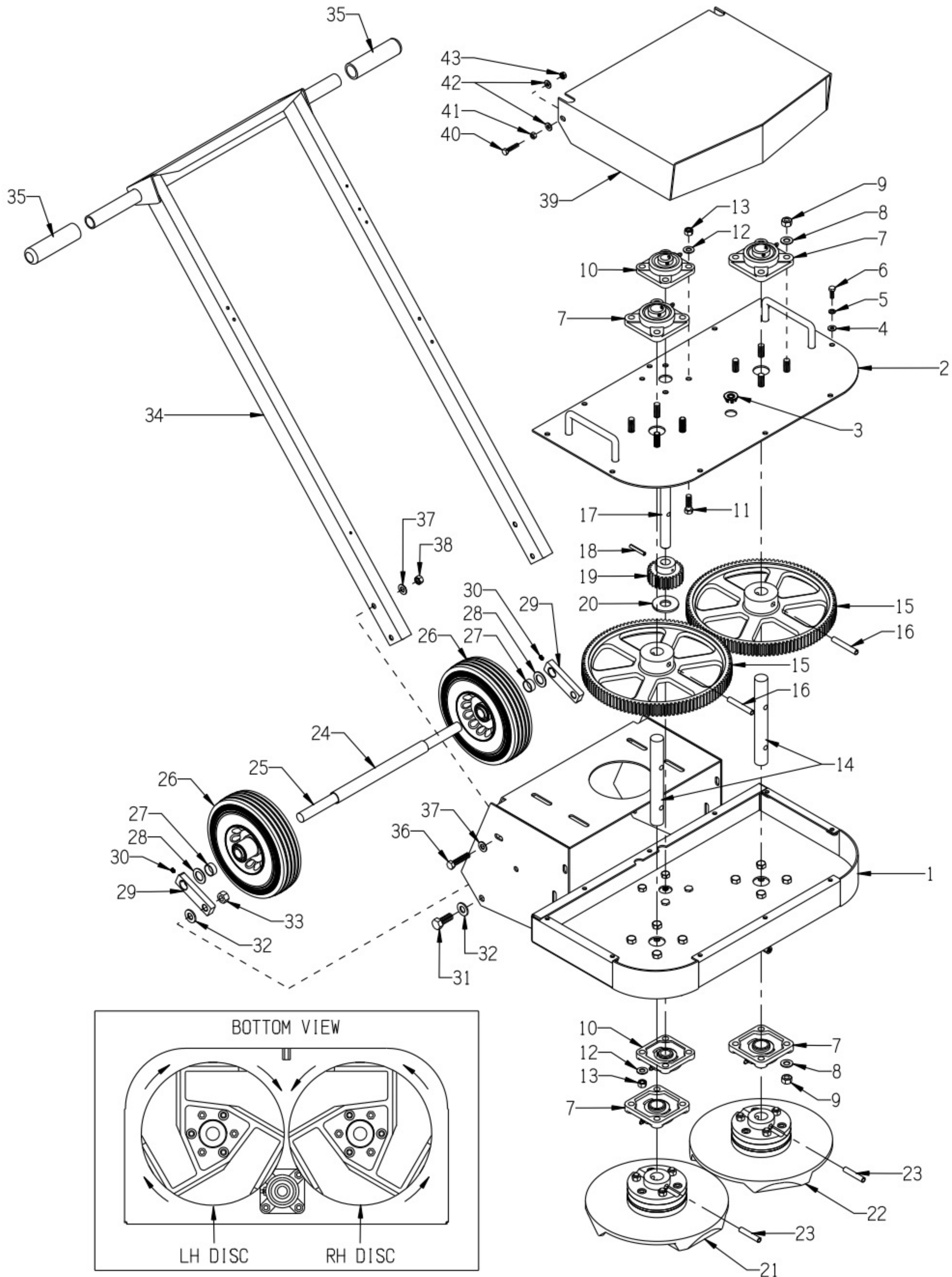
Serial # _____

SKU # _____



100 Thomas Johnson Drive, Frederick, MD 21702-4600 USA
 Phone (301) 663-1600 • 1-800-638-3326
 Fax (301) 663-1607 • 1-800-447-3326
 Website: www.edcoinc.com
 Email: sales@edcoinc.com

ILLUSTRATION 1 : MAIN GROUPING



PARTS LISTING - ILLUSTRATION 1: MAIN GROUPING			
ITEM #	PART #	DESCRIPTION	QTY.
1	77022	MAIN FRAME & GEAR CASE, 2-EC/GC	1
2	77007	COVER, GEAR CASE, 2-EC/GC	1
3	10005	PLUG, HOLE 7/8" BRIGHT ZINC	1
4	10602	WASHER, FLAT 1/4 SAE ZINC	10
5	10038	WASHER, LOCK 1/4 ZINC	10
6	10018	SCREW, CAP 1/4-20 X 3/4	10
7	77008	BEARING, BALL 1" 4-HOLE FLANGE, ND	4
8	10450	WASHER, LOCK 7/16 ZINC	16
9	10481	NUT, HEX 7/16-20 ZINC	16
10	77009	BEARING, BALL 3/4" 4-HOLE FLANGE	2
11	10309	SCREW, CAP 3/8-24 X 1-1/4 ZINC	4
12	10811	WASHER, LOCK 3/8 ZINC	8
13	10014	NUT, HEX 3/8-24 ZINC	8
14	77013	SHAFT, LARGE GEAR 1"DIA X 7-13/16"L	2
15	77012	GEAR, SPUR 112 TOOTH (DRIVEN)	2
16	10007	PIN, ROLL 3/8 X 2-1/2	2
17	77011	SHAFT, PINION GEAR 3/4DIA X 7-3/8"L	1
18	10037	PIN, ROLL 1/4 X 1-1/2	1
19	77053	GEAR, SPUR 25 TOOTH (PINION)	1
20	10009	WASHER, FLAT 3/4 SAE ZINC	1
21	9999	DISC ASSY. COMPLETE, MULTI-ACCY. LH (SEE ILLUS. 3)	1
22	8888	DISC ASSY. COMPLETE, MULTI-ACCY. RH (SEE ILLUS. 3)	1
23	10063	PIN, ROLL 3/8 X 2	2
24	77215	AXLE SPACER 9-5/8"L, 2-EC/GC	1
25	77209	AXLE SHAFT 3/4"DIA. X 17"L, 2-EC/GC	1
26	79013SH	WHEEL, STL.HUB 8 X 2-1/2 X 3/4"BRG.	2
27	77214	SPACER, WHEEL 3/8"L, 2-EC/GC	2
28	11597	WASHER .755"ID X 1.25"OD X .060"THK (*USE AS REQ'D.)	2*
29	86305	FLIP-HOLDER, WHEEL AXLE	2
30	10139	SCREW, SET 1/4-20 X 5/16	2
31	10321	SCREW, CAP 1/2-20 X 1-1/4	2
32	10312	WASHER, FLAT 1/2 SAE ZINC	2
33	10205	NUT, HEX LOCK 1/2-20 ZINC	2
34	74010	HANDLE BAR, 2-EC/GC	1
35	10608	GRIP, HAND 1" MODEL AT	2
36	10029	SCREW, CAP 3/8-24 X 1-3/4	4
37	10025	WASHER, FLAT 3/8 SAE ZINC	8
38	10004	NUT, HEX LOCK 3/8-24 ZINC	8
39	77077	HOOD, GRINDER, 2-EC/GC	1
40	10860	BOLT, TAP 1/4-20 X 1-1/4 (FULL THD)	2
41	10013	NUT, HEX 1/4-20 ZINC	2
42	10602	WASHER, FLAT 1/4 SAE ZINC	2
43	10861	NUT, KEPS LOCK 1/4-20 ZINC	2



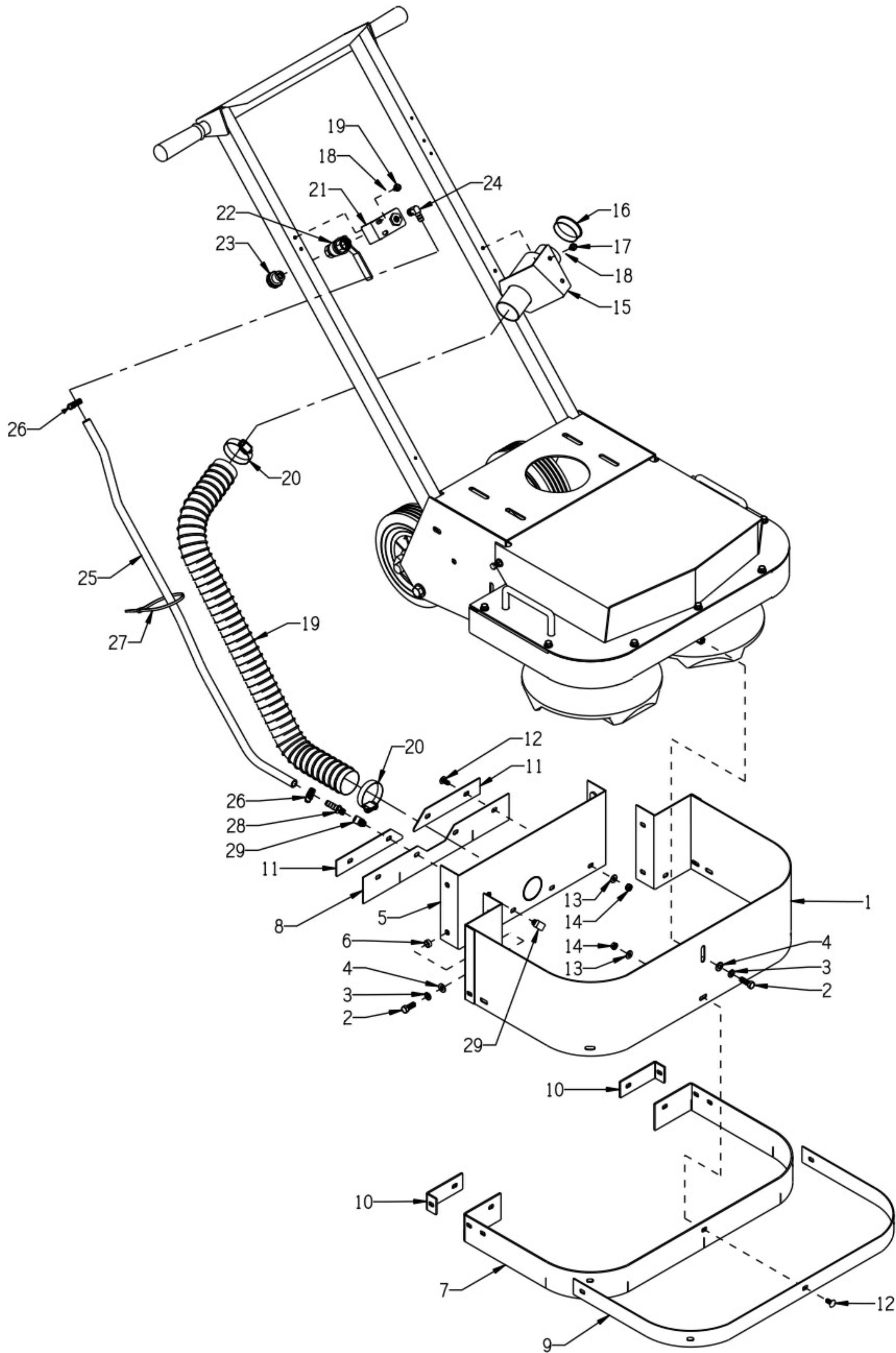
100 Thomas Johnson Drive, Frederick, MD 21702-4600 USA
 Phone (301) 663-1600 • 1-800-638-3326
 Fax (301) 663-1607 • 1-800-447-3326
 Website: www.edcoinc.com
 Email: sales@edcoinc.com

Printed in USA

JWA ©2011

Page 5

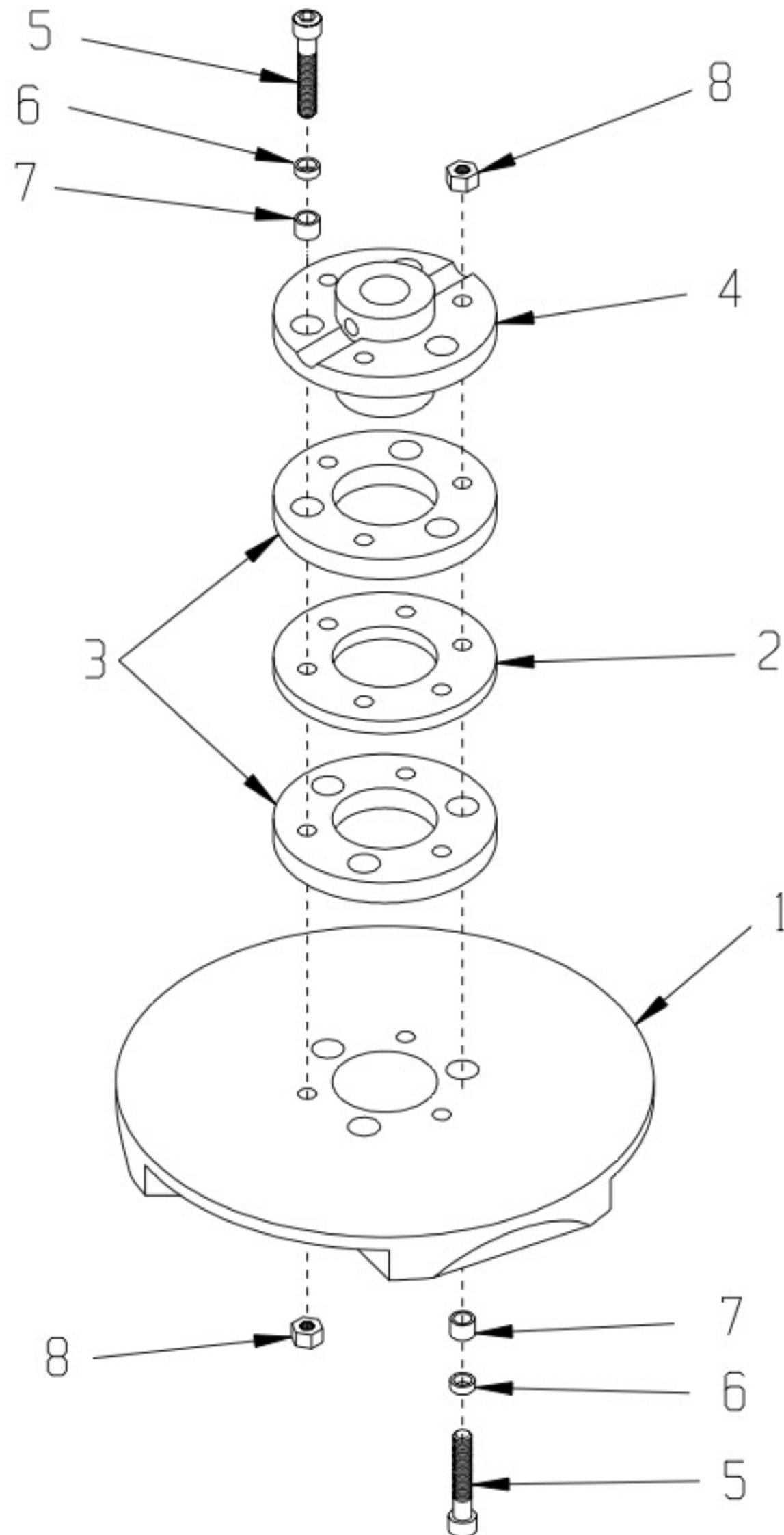
ILLUSTRATION 2: SKIRT, VACUUM PORT & WATER HOOK-UP GROUPING



**PARTS LISTING - ILLUSTRATION 2:
SKIRT, VACUUM PORT & WATER HOOK-UP GROUPING**

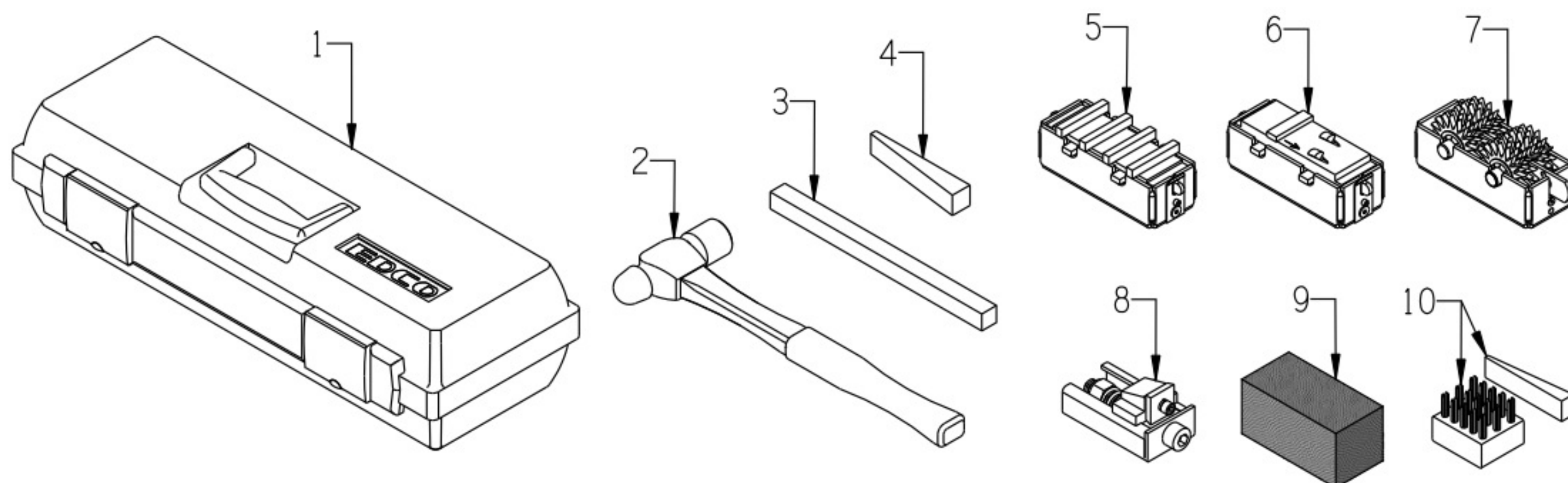
ITEM #	PART #	DESCRIPTION	QTY.
1	77001	SKIRT GUARD, 2-EC/GC	1
2	10806	SCREW, CAP 5/16-18 X 1	5
3	10801	WASHER, LOCK 5/16 ZINC	5
4	10213	WASHER, FLAT 5/16 SAE ZINC	5
5	77112	PANEL, VACUUM PORT 2", 2-EC/GC	1
6	10113	SPACER, STEEL 9/16OD X 3/8ID X 7/32	2
7	77141	RUBBER SEAL, SKIRT, 2-EC/GC 2-1/2 x 56	1
8	77142	RUBBER SEAL, SKIRT REAR, 2-EC/GC 2-1/2 x 16	1
9	77143	RETAINING STRIP, RUBBER SEAL, 2-EC/GC	1
10	77339	RETAINING BRKT., SKIRT CORNER	2
11	77144	RETAINING STRIP, REAR SEAL, 2-EC/GC	2
12	11676	BOLT, CARRIAGE 1/4-20 X 5/8 GRADE 2	13
13	10602	WASHER, FLAT 1/4 SAE ZINC	13
14	10861	NUT, KEPS LOCK 1/4-20 ZINC	13
15	86347	BRACKET, MULTI-VAC PORT 2-3"	1
16	65021	CAP/PLUG 2" RED PLASTIC, FLANGED	1
17	10846	SCREW, CAP STSHW 1/4-20 X 1/2	4
18	10038	WASHER, LOCK 1/4 ZINC	4
19	77113	HOSE, FLEX 2"ID X 32"L, GRINDERS	1
20	10766	CLAMP, HOSE, SAE #32, ADJ. TO 2-1/2	2
21	56022	BRACKET, WATER VALVE	1
22	10711	VALVE, BALL 1/2 FPT	1
23	80021	CONN., SWIVEL FEM. 3/4HOSE X 1/2MPT	1
24	10799	BARB ELBOW 90, 3/8HOSE X 1/4MPT	1
25	65081	HOSE, WATER 3/8"ID X 34"L	1
26	50069	CLAMP, HOSE, SAE #6, ADJ. TO 13/16	2
27	10982	TIE, CABLE, BLACK NYLON 11-1/4"	2
28	10694	BARB, 3/8HOSE X 1/8MPT	1
29	10772	ELBOW, STREET 1/8NPT X 45 (BRASS)	2

ILLUSTRATION 3: MULTI-ACCESSORY DISC ASSEMBLY



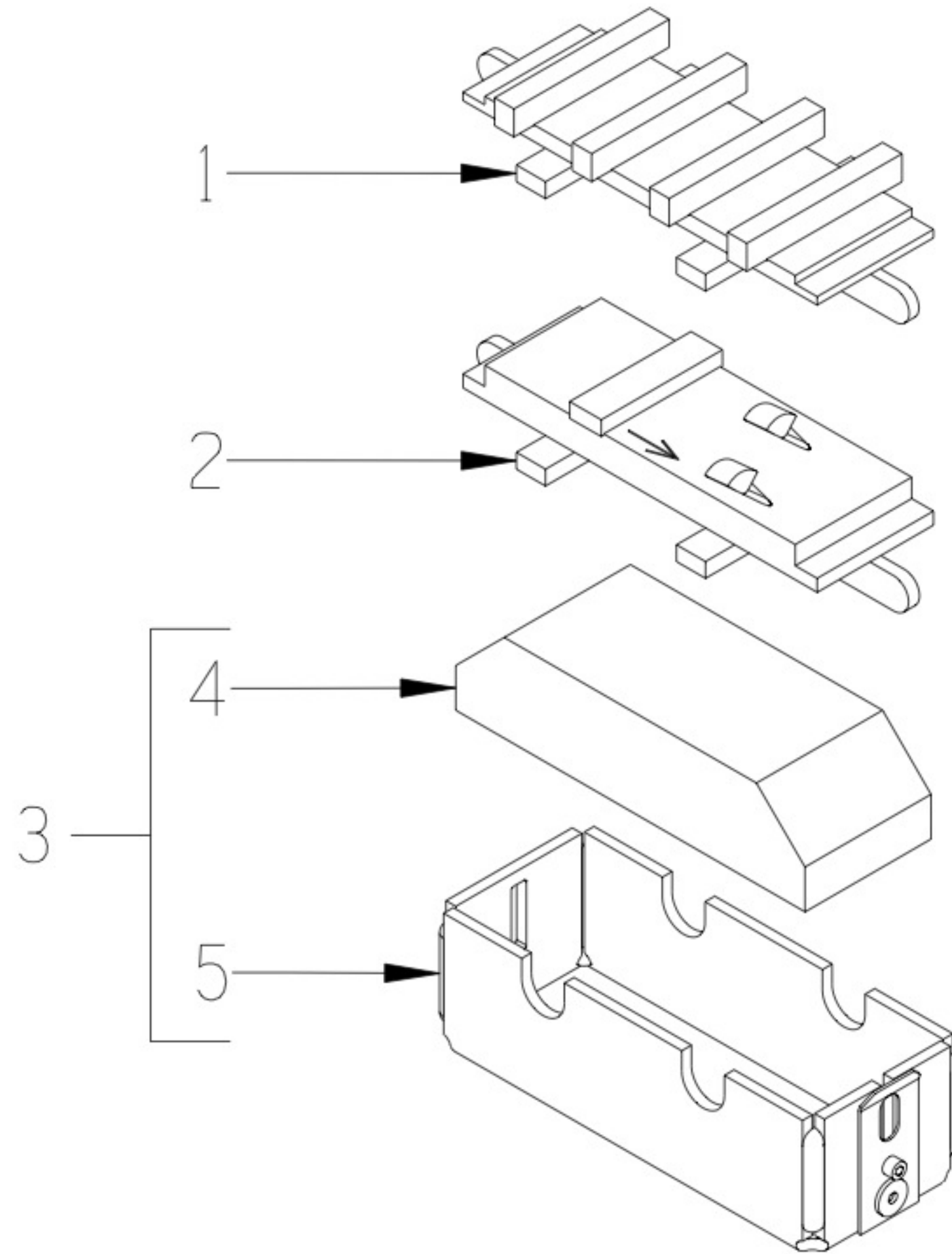
ITEM #	PART #	DESCRIPTION	QTY.*
1-8	8888	DISC ASSEMBLY COMPLETE, RIGHT-HAND (ITEMS 1 THRU 8)	2
	9999	DISC ASSEMBLY COMPLETE, LEFT-HAND (ITEMS 1 THRU 8)	2
1	77088	MULTI-ACCESSORY DISC ONLY R.H. FOR 8888 ASSEMBLY	1
	77099	L.H. FOR 9999 ASSEMBLY	1
2	77020	RING, HUB CARRIER, 6-HOLE	1
3	10112	RING, NEOPRENE, 4-1/2"OD X 1/2"THK	2
4	77010	HUB, ALUMINUM 6-HOLE (GRINDER)	1
5	10114	SCREW, SKT. HD. CAP 3/8-24 X 2-1/4	6
6	10113	SPACER, STEEL 9/16OD X 3/8ID X 7/32"	6
7	10011	SPACER, STEEL 5/8OD X 3/8ID X 3/8"	6
8	10058	NUT, HEX LOCK 3/8-24 W/ NYLON PATCH	6

*QUANTITIES FOR ITEMS 1 THRU 8 ARE PER EACH DISC ASSEMBLY
1 RIGHT-HAND & 1 LEFT HAND DISC REQUIRED PER 2-DISC GRINDER

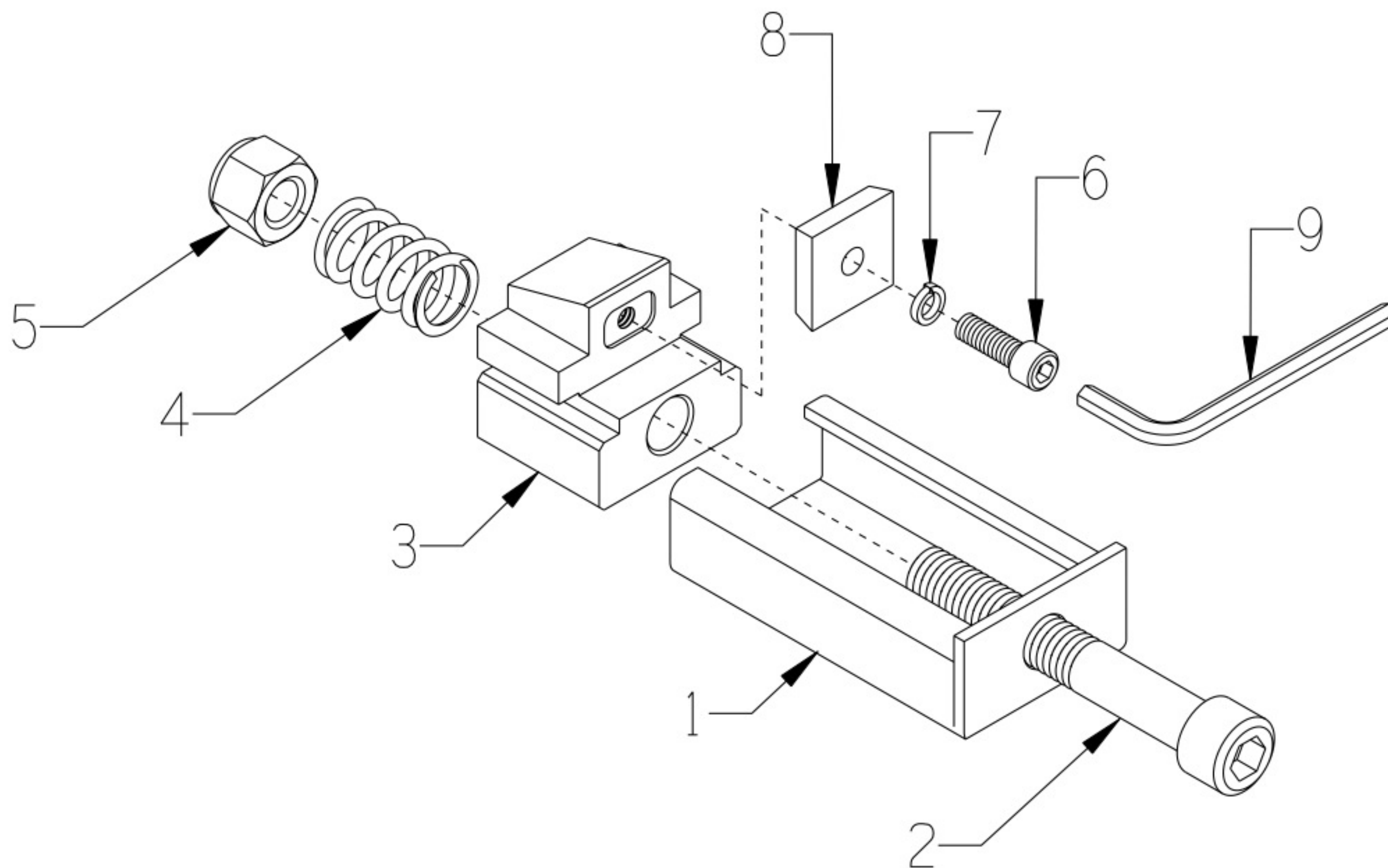
ILLUSTRATION 4: TOOL BOX & MULTI-DISC ACCESSORIES


ITEM #	PART #	DESCRIPTION	QTY.
1-3	12004	TOOL BOX W/ HAMMER & PUNCH, BLACK	1
	12005	TOOL BOX W/ HAMMER & PUNCH, RED	1
1	12001	TOOL BOX, BLACK (DYMA-SERTS™)	1
	12002	TOOL BOX, RED (STRIP-SERTS™)	1
2	12003	HAMMER, BALL PEIN 16 OZ.	1
3	12006	PUNCH, GRINDER WEDGE, 5/8SQ X 9	1
4	12160	WEDGE CG225, HARDWOOD	6
5	-----	DYMA-SERT™ ACCY. W/ HOLDING CASE (SEE ILLUS. 5 FOR MORE DETAILS)	6
6	-----	PCDYMA-SERT™ ACCY. W/ HOLDING CASE (SEE ILLUS. 5 FOR MORE DETAILS)	6
7	12114 12120 12130	SCARIFIER ACCESSORY: CG221 SCARIFIER HOLDING CASE ONLY CG222 TAW SCARIFIER, STANDARD INSERT CG223 TAW SCARIFIER, HEAVY-DUTY INSERT	6
8	12400	STRIP-SERT™ ASSEMBLY (SEE ILLUS. 6 FOR MORE DETAILS)	6
9	11074 11014 11024 11034 11084	CG224V VITRIFIED GRINDING STONES: C10S SUPER COARSE C10 COARSE C24 MEDIUM C80 FINE C120 SUPER FINE	6
10	12170 12180	CG101 WIRE BRUSH W/JR322 WEDGE WEDGE ONLY JR322, HARDWOOD	6 6

ILLUSTRATION 5: DYMA-SERT™ & PCDYMA-SERT™ ASSEMBLIES

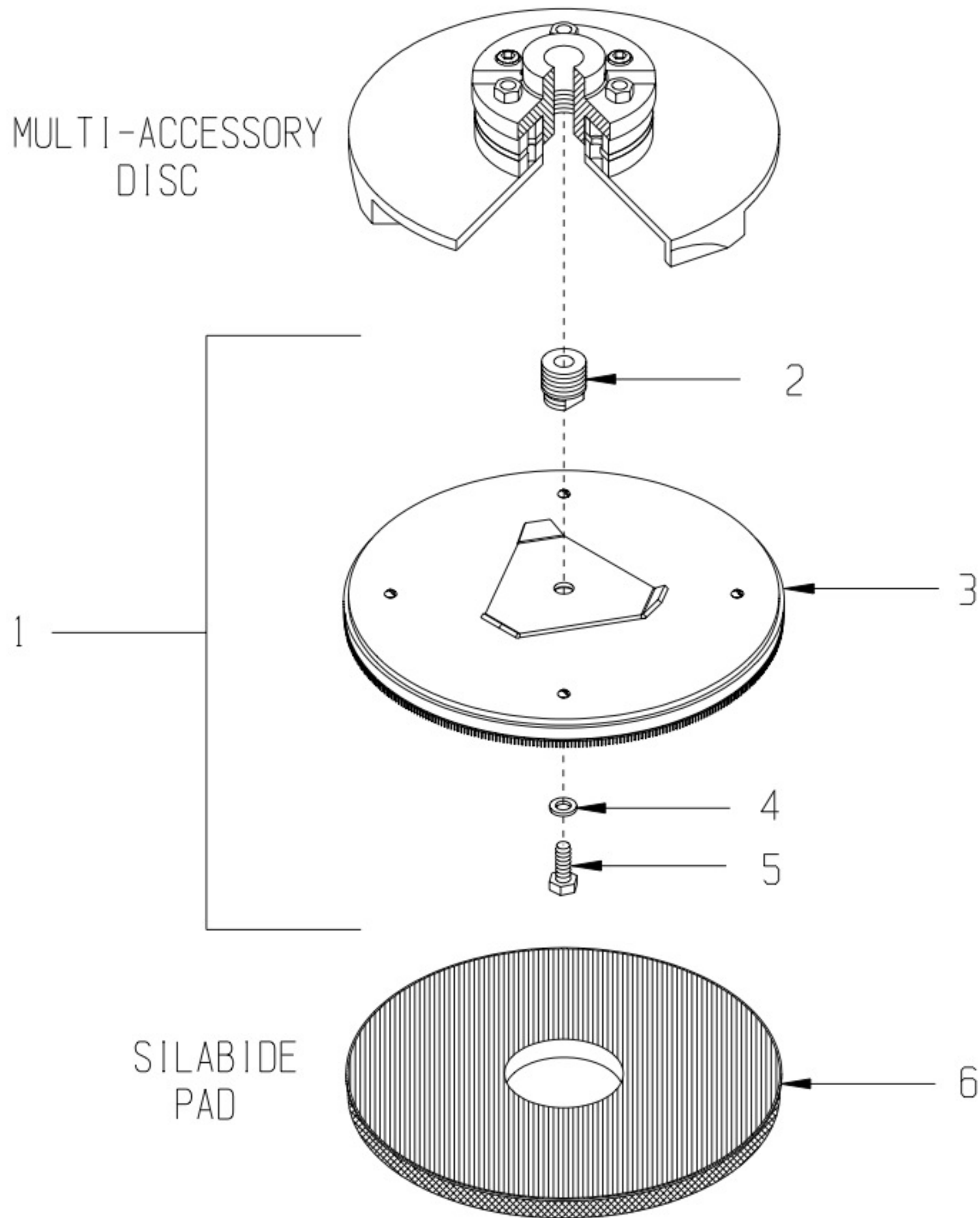


ITEM #	PART #	DESCRIPTION	QTY.*
1	19110	DYMA-SERT™ (SOLD SEPARATELY): EG-1X, 30-40 GRIT (GENERAL PURPOSE)	6
	19130	EG-2X, 30-40 GRIT (ABRASIVE CONCRETE)	
	19180	EG-3X, 30-40 GRIT (EPOXY MORTARS)	
	19250	EG-5X, 50 GRIT (TERRAZZO)	
	19260	EG-7X, 80 GRIT (TERRAZZO)	
	19270	EG-9X, 120 GRIT (TERRAZZO)	
	19290	EG-23X, 200-230 GRIT (POLISHING)	
	2	EDP2PCD-30	
3	19120	CG221D DYMA-SERT HOLDING CASE W/PAD	6
4	19140	RUBBER SHOCK PAD	6
5	19121	DYMA-SERT™ HOLDING CASE	6
* QUANTITIES BASED ON 2-DISC GRINDER			

ILLUSTRATION 6: STRIP-SERT™ ASSEMBLY


ITEM #	PART #	DESCRIPTION	QTY.
1-8	12400	STRIP-SERT ASSY. WITH PRO TUNGSERT	6*
1-7	12401	STRIP-SERT ASSY. WITHOUT PRO TUNGSERT	6*
1	12404	TUNGSERT HOLDER BOX, STRIP-SERT	1**
2	12405	SCREW, SKT.HD.CAP 1/2-13 X 3.5,GR.5	1**
3	12403	TUNGSERT BLOCK, STRIP-SERT	1**
4	12406	SPRING, COMP. .765"OD X 1.25"FL	1**
5	10155	NUT, HEX NYLON LOCK 1/2-13	1**
6	11573	SCREW, SKT. HD. CAP 1/4-20 X 3/4	1**
7	11688	WASHER, HI-COLLAR LOCK .26ID X .363	1**
8	12407	PRO TUNGSERT (PACK OF 6) INCLUDES: 6 SCREWS & WASHERS, ITEMS 6 & 7 & 1 HEX WRENCH, ITEM 9.	1**
9	12413	WRENCH, HEX L-KEY 3/16", SHORT-ARM	1
* QUANTITIES BASED ON 2-DISC GRINDER			
** QUANTITIES BASED ON 1 STRIP-SERT ACCESSORY			

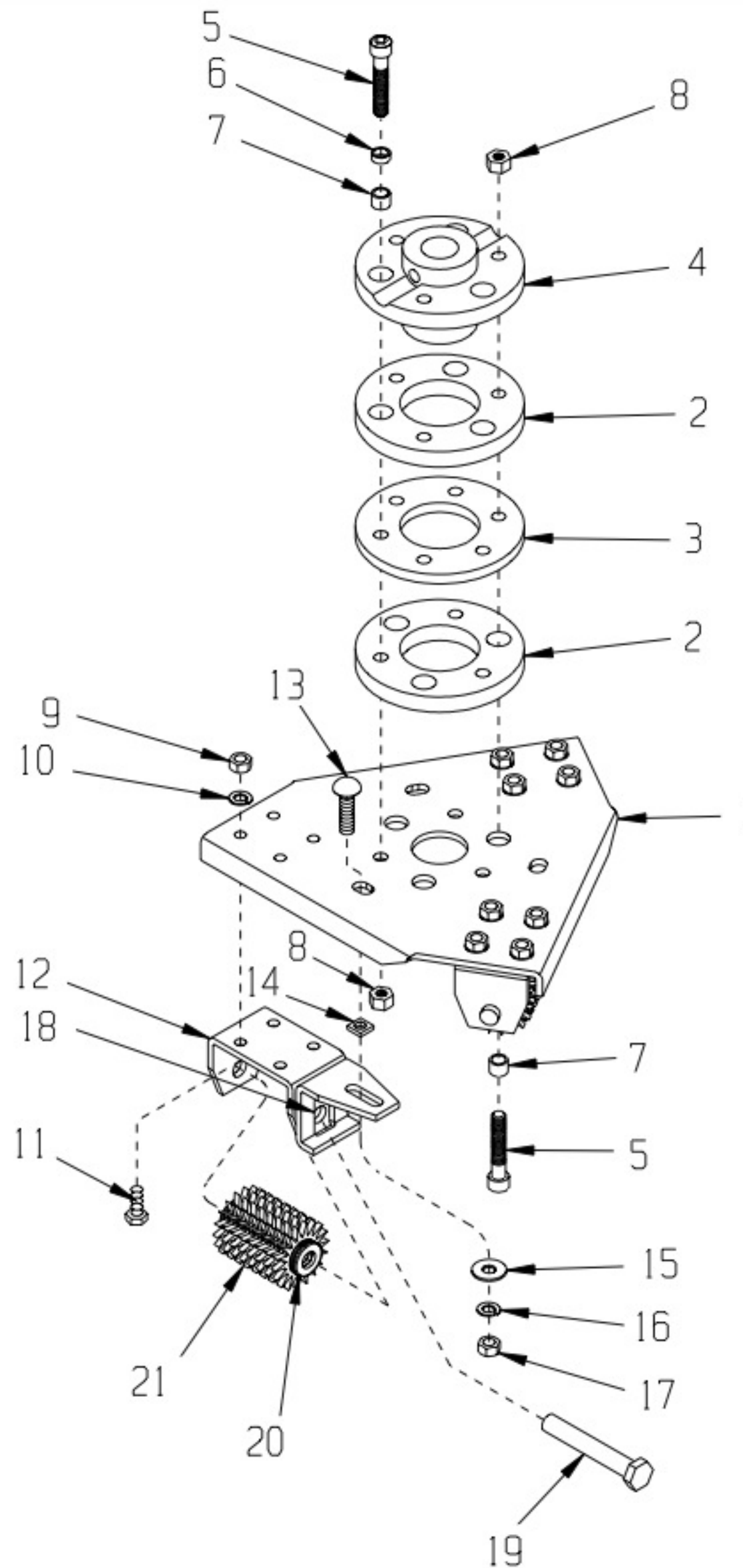
ILLUSTRATION 7: OPTIONAL PAD DRIVER DISC ASSEMBLY



ITEM #	PART #	DESCRIPTION	QTY.*
1	76040	PAD DRIVER DISC ASSEMBLY (INCLUDES ITEMS 2 THRU 5)	2
2	76042	HUB STUD, PAD DRIVER (GRINDER)	1
3	76041	DISC ONLY 11", PAD DRIVER	1
4	10312	WASHER, FLAT 1/2 SAE ZINC	1
5	10304	SCREW, CAP 1/2-20 X 1	1
6	13013	SILABIDE PAD, 11" MEDIUM (NOT INCLUDED W/ ASSEMBLY)	2
*QUANTITIES FOR ITEMS 2 THRU 5 ARE PER EACH DISC ASSEMBLY QUANTITIES FOR ITEMS 1 AND 6 ARE PER 2-DISC GRINDER			

ILLUSTRATION 8: OPTIONAL SURFACER DISC ASSEMBLY

E-2ECGC-PL-0711



ITEM #	PART #	DESCRIPTION	QTY.*	ITEM #	PART #	DESCRIPTION	QTY.*
1-21	2222 2222C	DISC ASSEMBLY COMPLETE, R.H. W/ STEEL CUTTERS. W/ CARBIDE CUTTERS	1	10	10801	WASHER, LOCK 5/16 ZINC	12
	3333 3333C	DISC ASSEMBLY COMPLETE, L.H. W/ STEEL CUTTERS W/ CARBIDE CUTTERS	1	11	10048	SCREW, CAP 5/16-24 X 3/4	12
1	77122 77133	DISC ONLY, SURFACER RIGHT HAND DISC LEFT HAND DISC	1 1	12	77074	HOLDER, CUTTER SHAFT	3
2	10112	RING, RUBBER 4-1/2"OD X 1/2"THK	2	13	10802	BOLT, CARRIAGE 3/8-16 X 1	3
3	77020	RING, HUB CARRIER, 6-HOLE	1	14	10089	CLIP, SPEED NUT 3/8	3
4	77010T	HUB, CAST IRON, 6-HOLE	1	15	10025	WASHER, FLAT 3/8 SAE ZINC	3
5	10114	SCREW, SKT. HD. CAP 3/8-24 X 2-1/4	6	16	10811	WASHER, LOCK 3/8 ZINC	3
6	10113	SPACER, STL. 9/16OD X 3/8ID X 7/32	3	17	10404	NUT, HEX 3/8-16 ZINC	3
7	10011	SPACER, STL. 5/8OD X 3/8ID X 3/8	6	18	77075	RETAINER, CUTTER SHAFT	3
8	10058	NUT, HEX LOCK 3/8-24 W/ NYLON PATCH	6	19	77048	CG226 CUTTER SHAFT 1/2 X 3-1/4	3
9	10054	NUT, HEX 5/16-18 ZINC	12	20	12230	CG227 SPACER 1/2"ID	33
				21	12206 20156	CUTTERWHEEL JRS501P 2" POINTED STEEL CP206T 1-3/4" 6-POINT CARBIDE	24 18

*QUANTITIES FOR ITEMS 2 THRU 21 ARE PER EACH DISC ASSEMBLY
1 RIGHT-HAND & 1 LEFT HAND DISC REQD. PER 2-DISC GRINDER



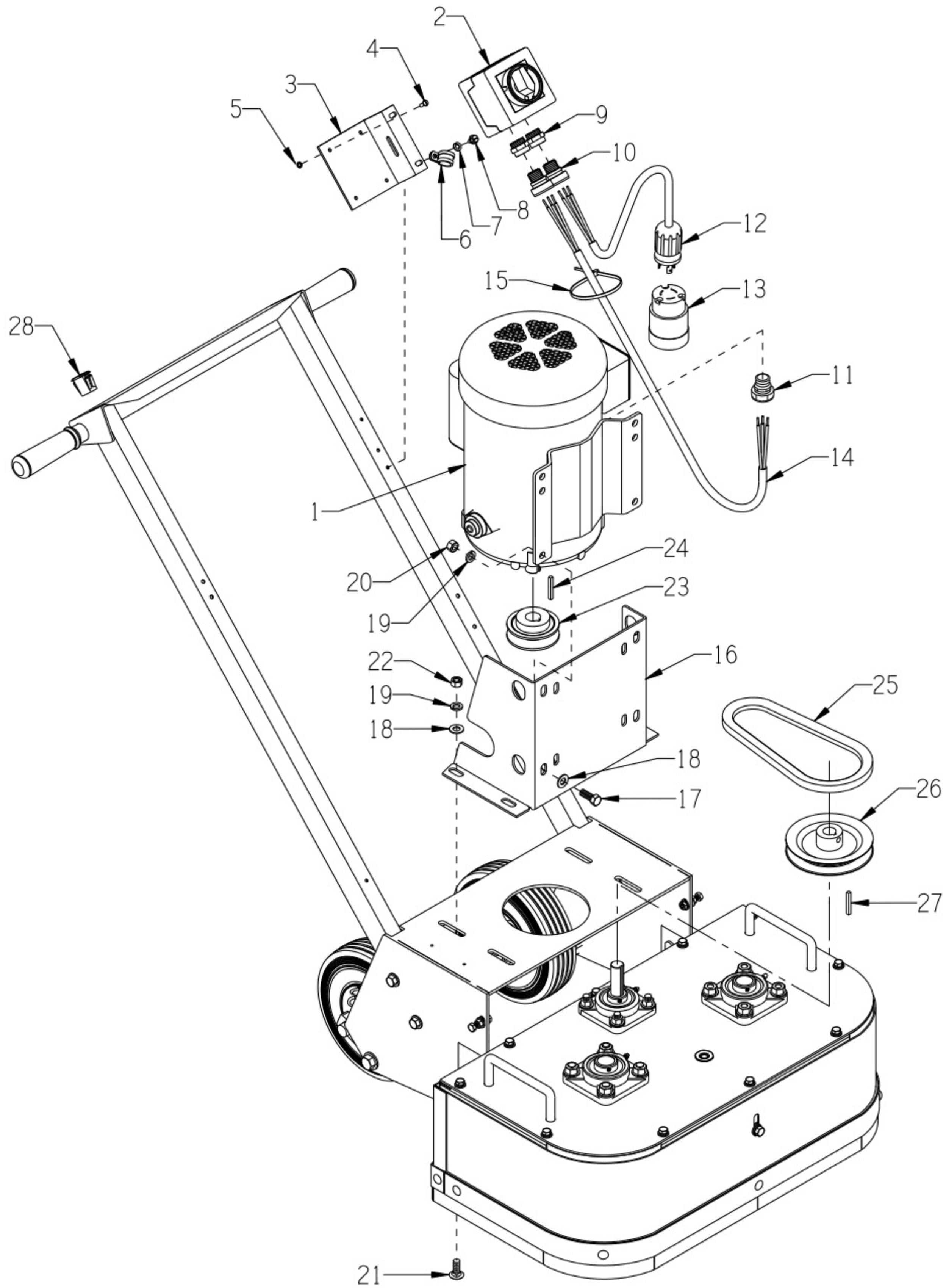
100 Thomas Johnson Drive, Frederick, MD 21702-4600 USA
 Phone (301) 663-1600 • 1-800-638-3326
 Fax (301) 663-1607 • 1-800-447-3326
 Website: www.edcoinc.com
 Email: sales@edcoinc.com

Printed in USA

JWA ©2011

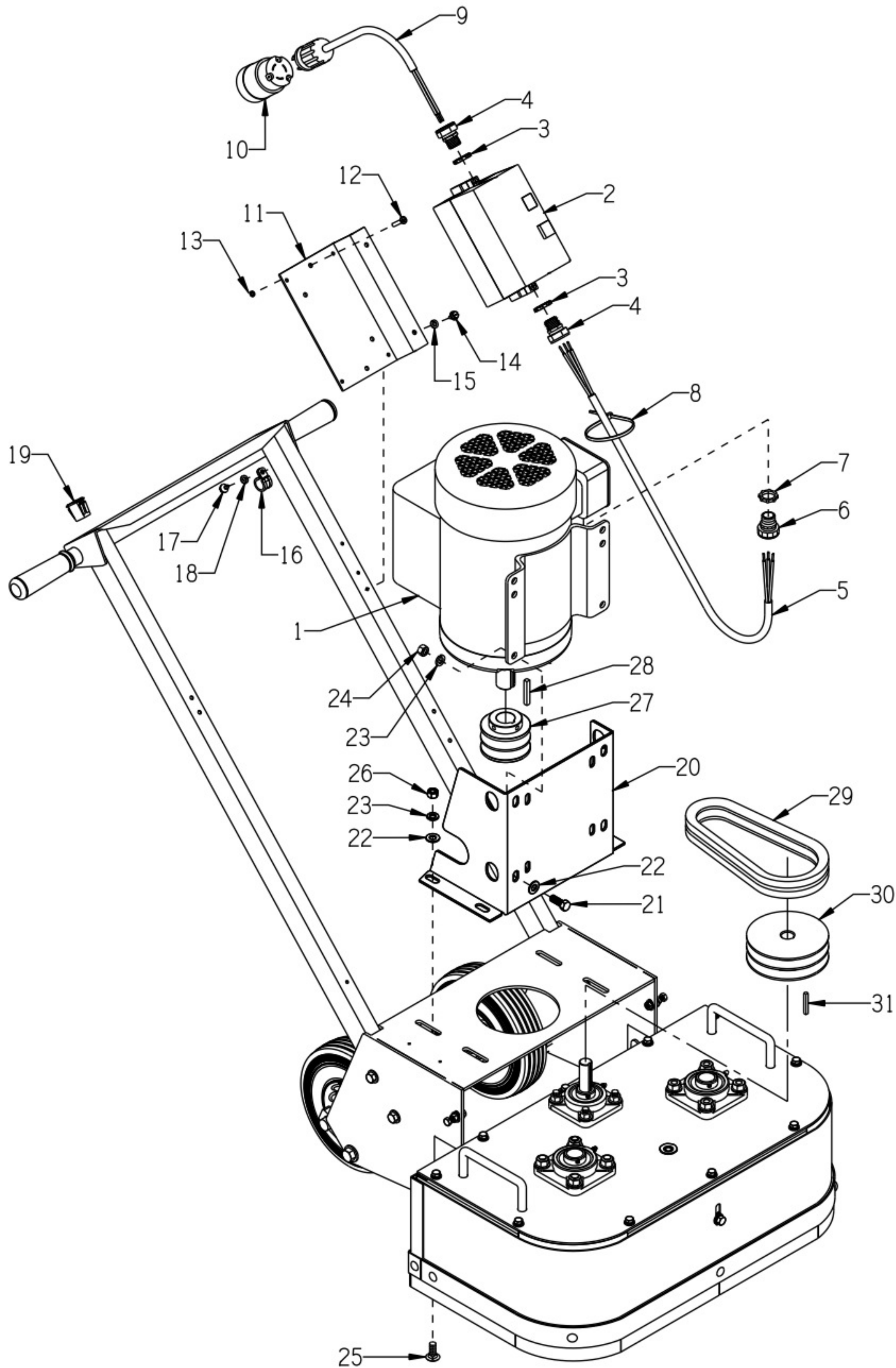
Page 13

**ILLUSTRATION 9:
MOTOR & BELT DRIVE GROUPING FOR 1.5 HP UNITS**



PARTS LISTING - ILLUSTRATION 9: MOTOR & BELT DRIVE GROUPING FOR 1.5 HP UNITS			
ITEM #	PART #	DESCRIPTION	QTY.
1	76027	MOTOR, BALDOR 1.5HP-1P-60HZ-115/230V-1725RPM BALDOR SPEC. 36F57-385 (7/8" SHAFT) REPLACEMENT PARTS:	1
	77039	CAPACITOR, START, BALDOR, 850-950MFD 115V	1
	16101	RESET BUTTON, BALDOR TPCRT31CA	1
	76002	SWITCH, TOGGLE DPDT (SCREW TERM.)	1
	16070	MOTOR, LEESON 1.5HP-1P-60HZ-115/230V-1740RPM LEESON CAT. NO. 132189 (1-1/8" SHAFT) REPLACEMENT PARTS:	1
	16524	CAPACITOR, START, LEESON, 1190MFD 125V	1
	16161	RESET BUTTON, LEESON BRJ44DB	1
	16534	SWITCH, TOGGLE DPDT (PUSH-ON TERM.)	1
2	77043	SWITCH, ROTARY CAM ON/OFF, LOVATO	1
3	77042	BRACKET, LOVATO ROTARY CAM SWITCH	1
4	11663	SCREW, MACHINE 8-32 X 1/2 (LOCATED INSIDE OF SWITCH BOX)	4
5	10462	NUT, KEPS LOCK 8-32 ZINC	4
6	11690	CLAMP, LOOM, 3/8"	1
7	10038	WASHER, LOCK 1/4 ZINC	2
8	10846	SCREW, CAP STSHW 1/4-20 X 1/2	2
9	77043-1	SWITCH ADAPTER, PG16 TO 1/2"NPT	2
10	40066	STRAIN RELIEF 1/2NPT X .350-.450"	2
11	16176	STRAIN RELIEF 3/4NPT X .350-.450"	1
12	77044	PLUG W/ 12/3 WIRE HARNESS, LOCKING	1
13	40041	CONNECTOR, LOCKING 20A/125V L5-20C	1
14	77045	WIRE HARNESS 12/3 X 42"LOA	1
15	10982	TIE, CABLE, BLACK NYLON 11-1/4"	2
16	77037	MOUNT, MOTOR	1
17	10021	SCREW, CAP 3/8-24 X 1	4
18	10025	WASHER, FLAT 3/8 SAE ZINC	8
19	10811	WASHER, LOCK 3/8 ZINC	4
20	10014	NUT, HEX 3/8-24 ZINC	4
21	10802	BOLT, CARRIAGE 3/8-16 X 1 FULL THD.	4
22	10404	NUT, HEX 3/8-16 ZINC	4
23	77017	SHEAVE 3"OD X 1GR.B X 7/8"BORE (BALDOR 1.5HP)	1
	77030	SHEAVE 3"OD X 1GR.B X 1-1/8"BORE (LEESON 1.5HP)	1
24	-----	KEY (INCLUDED W/ MOTOR)	1
25	10051	BELT 5L-270 (21/32" X 27")	1
26	3654	SHEAVE 5"OD X 1GR.B X 3/4"BORE	1
27	10016	KEY 3/16SQ X 1-1/2	1
28	15204	PLUG, RECT. HOLE, PLASTIC SNAP-IN	1

**ILLUSTRATION 10:
MOTOR & BELT DRIVE GROUPING FOR 2HP 50Hz & 3HP 60Hz UNITS**



PARTS LISTING - ILLUSTRATION 10: MOTOR & BELT DRIVE GROUPING FOR 2HP 50Hz & 3HP 60Hz UNITS			
ITEM #	PART #	DESCRIPTION	QTY.
1	16019	MOTOR, BALDOR 2HP-1PH-50HZ-110/220V-20/10A BALDOR CAT. #L3605T-50	1
	40051	REPLACEMENT PARTS: CAPACITOR, START, 645-774MFD 125V	1
	16164	CAPACITOR, RUN, 40MFD 370V	1
	16003	MOTOR, BALDOR 3HP-1PH 60HZ-230V-14A BALDOR CAT. #L3609T	1
	40051	REPLACEMENT PARTS: CAPACITOR, START, 645-774MFD 125V	1
	16535	CAPACITOR, START, 460-552MFD 125V	1
	16536	CAPACITOR, RUN, 60MFD 370V	1
2	16470	STARTER ACI #128839, 110V 50Hz 17.5-21.5A OL	1
	16460	STARTER ACI #128840, 220V 50Hz 9.0-12.5A OL	1
	16405	STARTER ACI #128841, 230V 60Hz 11.3-16.0A OL	1
3	10790	CONDUIT LOCK NUT 1/2 NP	2
4	41130	STRAIN RELIEF 1/2NPT X .550-.650"	2
5	77045	WIRE HARNESS 12/3 X 42"LOA	1
6	16176	STRAIN RELIEF 3/4NPT X .350-.450"	1
7	10740	CONDUIT LOCK NUT 3/4 NP	1
8	10982	TIE, CABLE, BLACK NYLON 11-1/4"	2
9	77044	PLUG W/ 12/3 WIRE HARNESS, LOCKING	1
10	40000	CONNECTOR, LOCKING 20A/250V L6-20C	1
11	86027	MOUNTING BRKT., STARTER	1
12	11732	SCREW, MACHINE 10-32 X 1-3/4 RPH	2
	10384	SCREW, MACHINE 10-32 X 1 RHP	1
13	10832	NUT, KEPS LOCK 10-32 ZINC	3
14	10846	SCREW, CAP STSHW 1/4-20 X 1/2	2
15	10038	WASHER, LOCK 1/4 ZINC	2
16	11690	CLAMP, LOOM, 3/8"	1
17	10831	WASHER, LOCK, INT. TOOTH #10	1
18	10877	SCREW, CAP STSHW 10-24 X 1/2	1
19	15204	PLUG, RECT. HOLE, PLASTIC SNAP-IN	1
20	77037	MOUNT, MOTOR	1
21	10021	SCREW, CAP 3/8-24 X 1	4
22	10025	WASHER, FLAT 3/8 SAE ZINC	8
23	10811	WASHER, LOCK 3/8 ZINC	4
24	10014	NUT, HEX 3/8-24 ZINC	4
25	10802	BOLT, CARRIAGE 3/8-16 X 1 FULL THD.	4
26	10404	NUT, HEX 3/8-16 ZINC	4
27	77030	SHEAVE 3"OD X 1GR.B X 1-1/8"BORE (2HP 50Hz)	1
	79023	SHEAVE 3"OD X 2GR.B X 1-1/8"BORE (3HP 60Hz)	1
28	----	KEY (INCLUDED W/ MOTOR)	1
29	10051	BELT 5L-270 (21/32" X 27")	1 OR 2
30	3654	SHEAVE 5"OD X 1GR.B X 3/4"BORE (2HP 50Hz)	1
	77058	SHEAVE 5"OD X 2GR.B X 3/4"BORE (3HP 60Hz)	1
31	10016	KEY 3/16SQ X 1-1/2	1



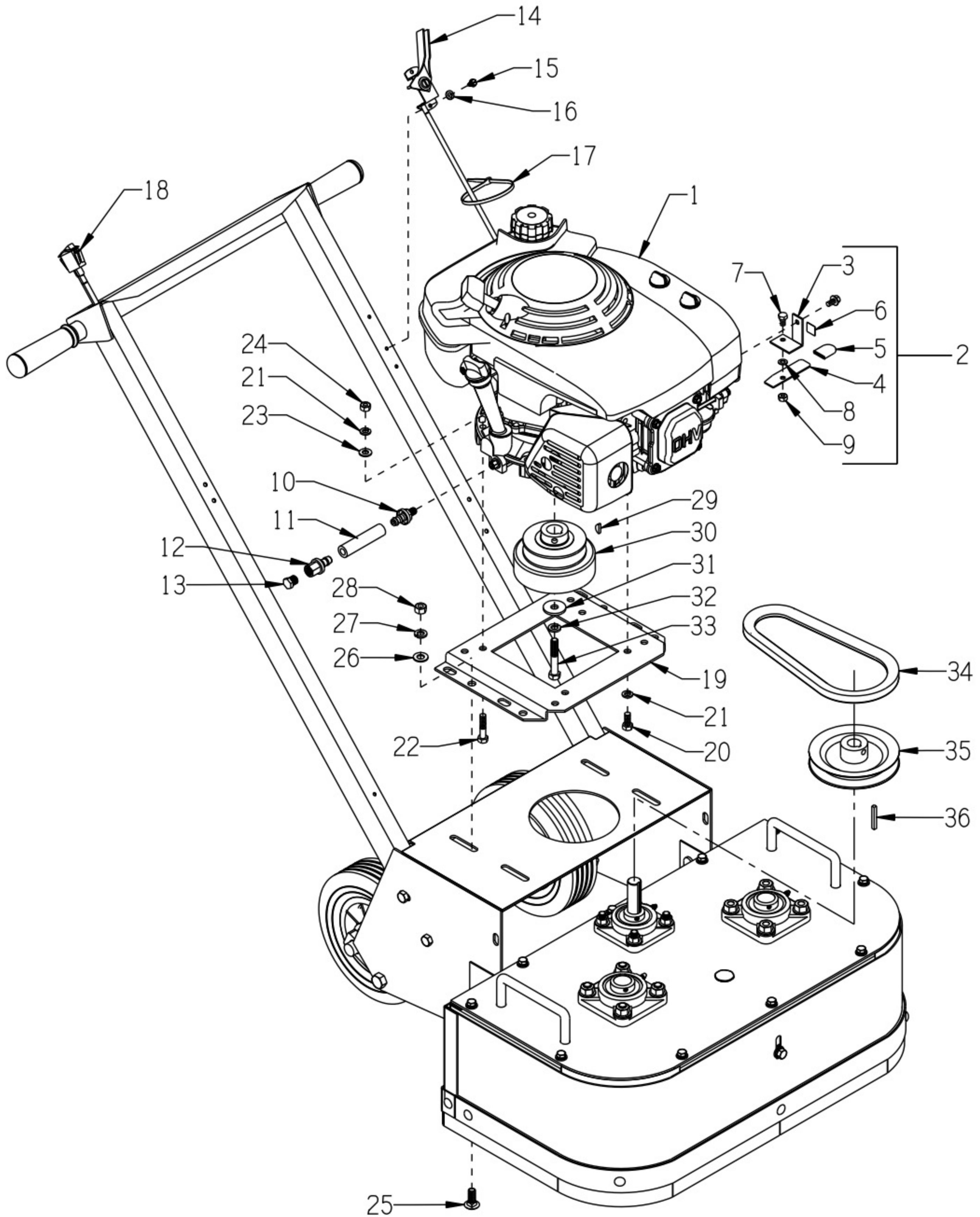
100 Thomas Johnson Drive, Frederick, MD 21702-4600 USA
 Phone (301) 663-1600 • 1-800-638-3326
 Fax (301) 663-1607 • 1-800-447-3326
 Website: www.edcoinc.com
 Email: sales@edcoinc.com

Printed in USA

JWA ©2011

Page 17

**ILLUSTRATION 11:
ENGINE & BELT DRIVE GROUPING FOR HONDA GX160**



PARTS LISTING - ILLUSTRATION 11: ENGINE & BELT DRIVE GROUPING FOR HONDA GX160			
ITEM #	PART #	DESCRIPTION	QTY.
1	76020	ENGINE, HONDA GXV160UH2-N12 WITH STANDARD DUAL ELEMENT AIR CLEANER	1
2	15180	MANUAL CHOKE KIT FOR HONDA GXV160 (INCLUDES ITEMS 3 THRU 9)	1
3	15182	BRKT., CHOKE CONTROL, GXV160	1
4	15181	LEVER, CHOKE CONTROL, GXV160	1
5	15184	CAP, FLAT RED .062 X .75 X 1	1
6	91301	DECAL, CHOKE 5/8 X 5/8	1
7	10834	SCREW, CAP 1/4-20 X 1/2	1
8	15186	WASHER, BELLEVILLE .500 X.255 X.018	1
9	10150	NUT, HEX NYLON LOCK 1/4-20	1
10	11541	BARB, PUSH-ON 3/8 HOSE X10MM X 1.25	1
11	72106	HOSE, PUSH-ON 3/8"ID X 2-1/4"L	1
12	11544	BARB, PUSH-ON 3/8 HOSE X 1/4FPT	1
13	10776	PIPE PLUG 1/4 NPT (BRASS)	1
14	40388	CABLE, THROTTLE, LEVER-TYPE 24"	1
15	10877	SCREW, CAP STSHW 10-24 X 1/2	2
16	10831	WASHER, LOCK, INT. TOOTH #10	2
17	10982	TIE, CABLE, BLACK NYLON 11-1/4"	1
18	15201A	SWITCH W/ WIRES, ROCKER RED ON-OFF ADDITIONAL PARTS REQ'D. (NOT SHOWN);	1
	50084	TERM., RING #10 16-14GA. INSULATED	1
	10831	WASHER, LOCK, INT. TOOTH #10	1
	10877	SCREW, CAP STSHW 10-24 X 1/2	1
	10970	CONN., WIRE QUICK-SPLICE 18-14 GA.	1
	36042	CLIP, NATURAL CORD, 1/8" X 1/4"	2
19	76023	MOUNT, ENGINE, VERT. SHAFT	1
20	10048	SCREW, CAP 5/16-24 X 3/4	2
21	10801	WASHER, LOCK 5/16 ZINC	4
22	10342	SCREW, CAP 5/16-18 X 1-1/2	2
23	10213	WASHER, FLAT 5/16 SAE ZINC	2
24	10054	NUT, HEX 5/16-18 ZINC	2
25	10802	BOLT, CARRIAGE 3/8-16 X 1 FULL THD.	4
26	10025	WASHER, FLAT 3/8 SAE ZINC	4
27	10811	WASHER, LOCK 3/8 ZINC	4
28	10404	NUT, HEX 3/8-16 ZINC	4
29	10019	KEY, WOODRUFF 5/32 X 5/8 (#505)	1
30	77024	CLUTCH, CENTRIFUGAL 3.5 X 1GR X 7/8	1
31	72006	WASHER, 1-1/4OD X 13/32ID X 1/8THK	1
32	10811	WASHER, LOCK 3/8 ZINC	1
33	10336	SCREW, CAP 3/8-24 X 2-1/4	1
34	10051	BELT 5L-270 (21/32" X 27")	1
35	3654	SHEAVE 5"OD X 1GR.B X 3/4"BORE	1
36	10016	KEY 3/16SQ X 1-1/2	1



A Division of Equipment Development Company, Inc.

100 Thomas Johnson Drive, Frederick, MD 21702-4600 USA

Phone (301) 663-1600 • 1-800-638-3326

Fax (301) 663-1607 • 1-800-447-3326

Website: www.edcoinc.com

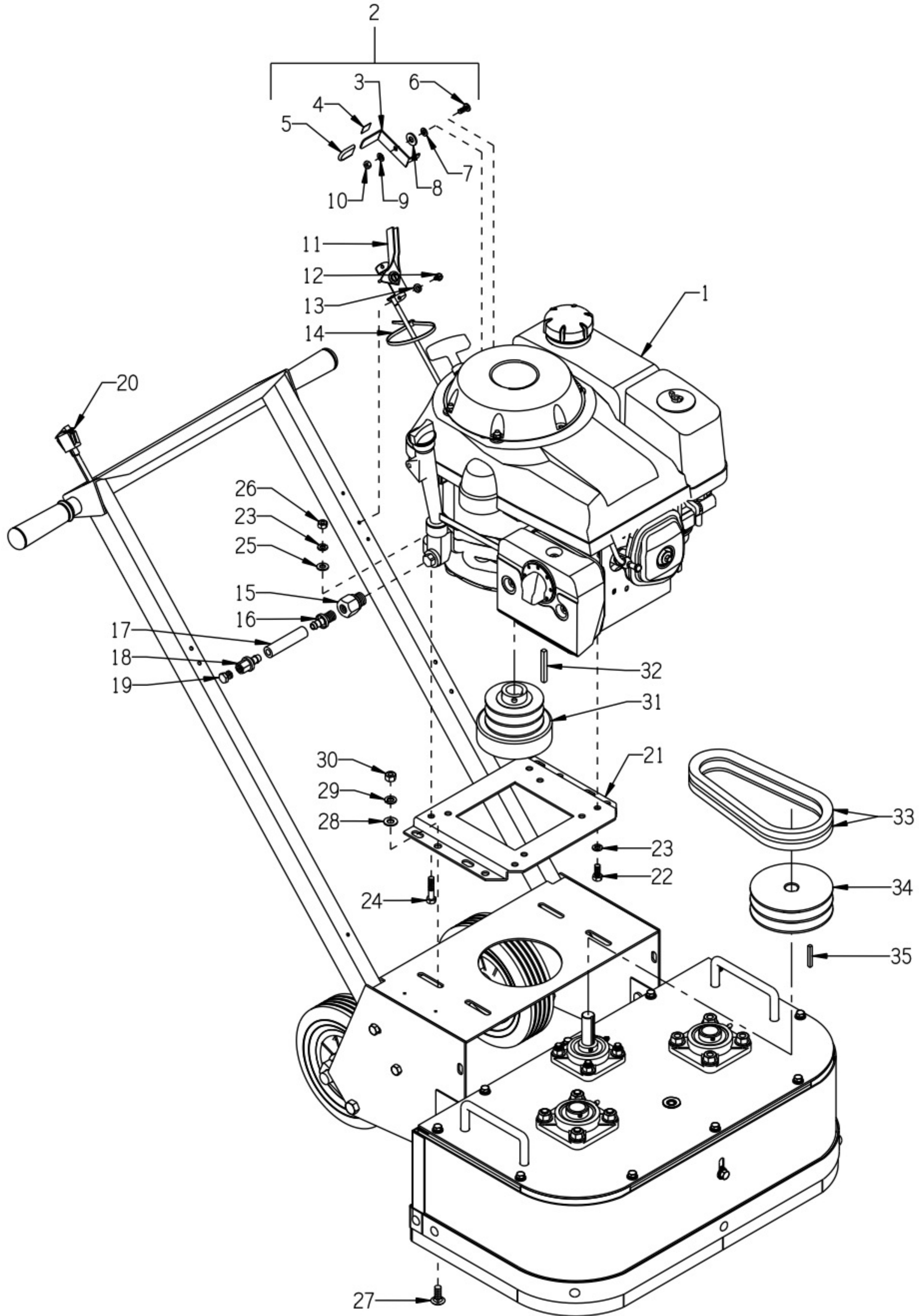
Email: sales@edcoinc.com

Printed in USA

JWA ©2011

Page 19

**ILLUSTRATION 12:
ENGINE & BELT DRIVE GROUPING FOR HONDA GX340**



PARTS LISTING - ILLUSTRATION 12: ENGINE & BELT DRIVE GROUPING FOR HONDA GX340			
ITEM #	PART #	DESCRIPTION	QTY.
1	76004 15012	ENGINE HONDA GASOLINE MODEL GXV340UT2-DX3 (SHOWN) HONDA PROPANE MODEL GXV340UT2-DP23 (ILLUS. 13)	1
2	15190	MANUAL CHOKE KIT - GASOLINE ENGINE ONLY (INCLUDES ITEMS 3 THRU 10)	1
3	15183	LEVER, CHOKE CONTROL, GXV340	1
4	91301	DECAL, CHOKE 5/8 X 5/8	1
5	15184	CAP, FLAT RED .062 X .75 X 1	1
6	15185	SCREW, MACHINE M6 X 16MM PHILLIP HD	1
7	15188	WASHER .265"ID, .50"OD, .029-.035"THK	1
8	15187	WASHER, FIBER .75 X .25 X .093	1
9	15186	WASHER, BELLEVILLE .500 X.255 X.018	1
10	28026	NUT, HEX NYLON LOCK M6 X 1MM	1
11	40388	CABLE, THROTTLE, LEVER-TYPE 24"	1
12	10877	SCREW, CAP STSHW 10-24 X 1/2	2
13	10831	WASHER, LOCK, INT. TOOTH #10	2
14	10982	TIE, CABLE, BLACK NYLON 11-1/4"	1
15	11689	ADAPTER, 20MM X 1.5 TO 1/4FPT	1
16	10657	BARB, PUSH-ON 3/8 HOSE X 1/4MPT	1
17	72106	HOSE, PUSH-ON 3/8"ID X 2-1/4"L	1
18	11544	BARB, PUSH-ON 3/8 HOSE X 1/4FPT	1
19	10776	PIPE PLUG 1/4 NPT (BRASS)	1
20	15201A 50084 10831 10877 10970 36042	SWITCH W/ WIRES, ROCKER RED ON-OFF ADDITIONAL PARTS REQ'D. (NOT SHOWN); TERM., RING #10 16-14GA. INSULATED WASHER, LOCK, INT. TOOTH #10 SCREW, CAP STSHW 10-24 X 1/2 CONN., WIRE QUICK-SPLICE 18-14 GA. CLIP, NATURAL CORD, 1/8" X 1/4"	1 1 1 1 1 2
21	76023	MOUNT, ENGINE, VERT. SHAFT	1
22	10048	SCREW, CAP 5/16-24 X 3/4	2
23	10801	WASHER, LOCK 5/16 ZINC	4
24	10606	SCREW, CAP 5/16-18 X 1-1/4	2
25	10213	WASHER, FLAT 5/16 SAE ZINC	4
26	10054	NUT, HEX 5/16-18 ZINC	4
27	10802	BOLT, CARRIAGE 3/8-16 X 1 FULL THD.	4
28	10025	WASHER, FLAT 3/8 SAE ZINC	4
29	10811	WASHER, LOCK 3/8 ZINC	4
30	10404	NUT, HEX 3/8-16 ZINC	4
31	76024	CLUTCH, CENTRIFUGAL 3.5 X 2GR X 1	1
32	10307	KEY 1/4SQ X 2-1/4	1
33	10051	BELT 5L-270 (21/32" X 27")	2
34	77058	SHEAVE 5"OD X 2GR.B X 3/4"BORE	1
35	10016	KEY 3/16SQ X 1-1/2	1



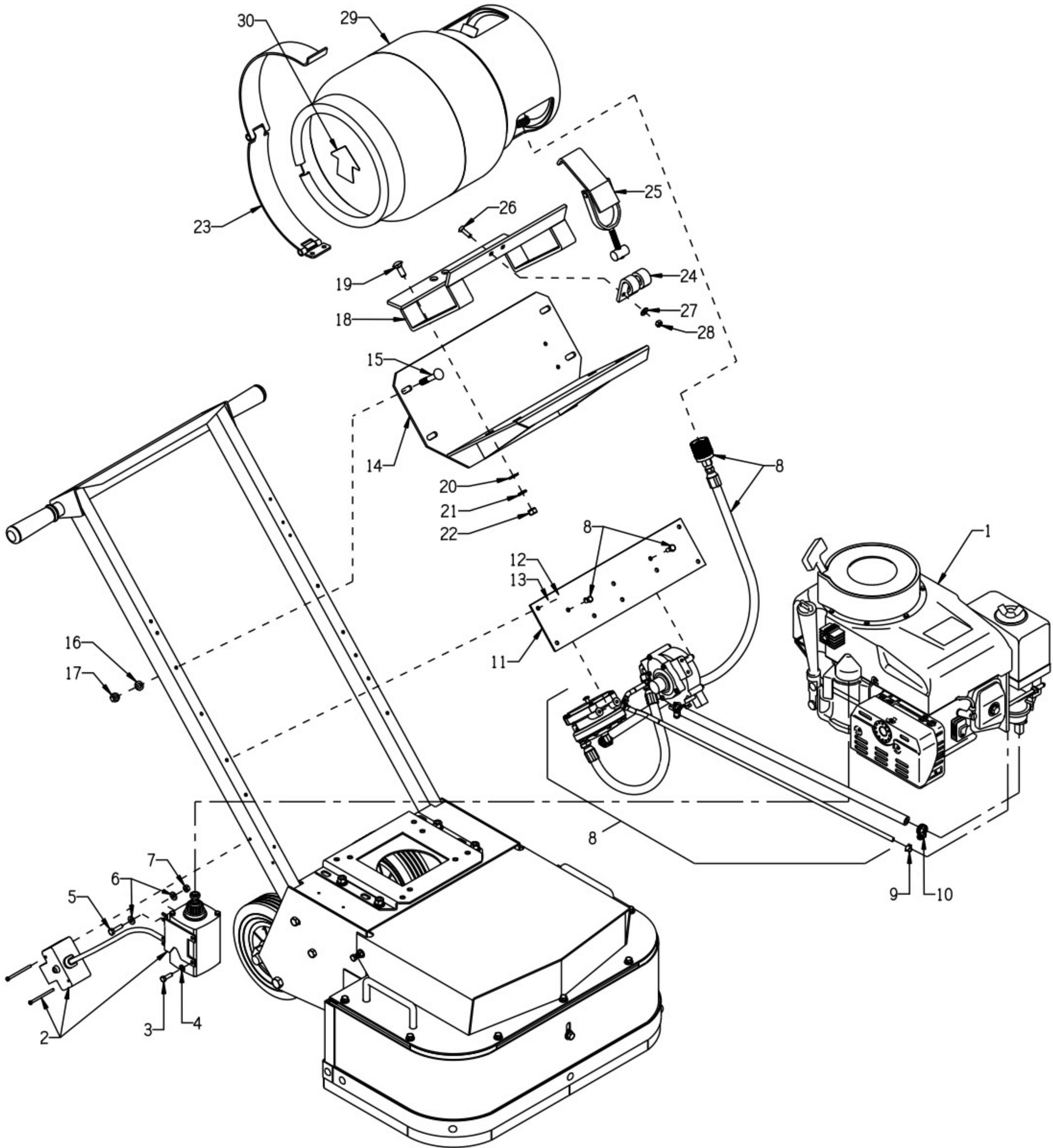
100 Thomas Johnson Drive, Frederick, MD 21702-4600 USA
 Phone (301) 663-1600 • 1-800-638-3326
 Fax (301) 663-1607 • 1-800-447-3326
 Website: www.edcoinc.com
 Email: sales@edcoinc.com

Printed in USA

JWA ©2011

Page 21

ILLUSTRATION 13: PROPANE GROUPING



PARTS LISTING - ILLUSTRATION 13 : PROPANE GROUPING

ITEM #	PART #	DESCRIPTION	QTY.
1	15012	ENGINE, HONDA PROPANE MODEL GXV340T2-DP23 (SEE ILLUS. 12)	1
2	15126	STARTER KIT, ELECTRIC 120 VOLT AC (INCLUDES POWER CORD - NOT SHOWN)	1
3	11634	SCREW, CAP M6 X 1.0P X 20MM	2
4	10038	WASHER, LOCK 1/4 ZINC	2
5	10031	SCREW, CAP 1/4-20 X 1	2
6	10602	WASHER, FLAT 1/4 SAE (USE 2 FOR SHIMS WHEN REQ'D.)	4
7	10013	NUT, HEX 1/4-20 ZINC	2
8	15102	VAPOR KIT FOR HONDA GXV340T2-DP23 KIT INCLUDES: HIGH PRESSURE VAPOR REGULATOR G-SE-50 2A-C (1 EA.) FUELOCK VAPOR FILTER G-SE-VFF30-2-4 (1 EA.) HIGH PRESSURE HOSE W/ FITTINGS 11-1/2" (1 EA.) HIGH PRESSURE HOSE W/ FITTINGS 38-1/2" (1 EA.) HOSE, PUSH LOCK 3/8"ID X 32"L (1 EA.) HOSE, VACUUM 3/16"ID X 48"L (1 EA.) REGO 7141F FEMALE COUPLING, BRASS (1 EA.) FITTING 1/4NPT X 3/8FLARE 90DEG, BRASS (3 EA.) FITTING 3/8" PIPE X 3/8" HOSE BARB ELBOW, BRASS . . . (1 EA.) FITTING 1/8NPT X 3/16" HOSE, ELBOW, BRASS (1 EA.) FITTING 1/8NPT X 3/16" HOSE BARB, BRASS (1 EA.) FITTING 3/16" TEE, NYLON (1 EA.) MOUNTING SCREWS (4 EA.)	1
9	11720	CLAMP, HOSE SPRING-TYPE 1/8" BLACK 02-041	6
10	50069	CLAMP, HOSE, SAE #6, ADJ. TO 13/16	2
11	77063	PROPANE REGULATOR MOUNT PLATE	1
12	10846	SCREW, CAP STSHW 1/4-20 X 1/2	4
13	10038	WASHER, LOCK 1/4 ZINC	4
14	77062	PROPANE TANK MOUNT	1
15	10908	BOLT, CARRIAGE 3/8-16 X 2-1/2	4
16	10811	WASHER, LOCK 3/8 ZINC	4
17	10404	NUT, HEX 3/8-16 ZINC	4
18	77061-1	PROPANE TANK CRADLE BRACKET ONLY	1
19	10802	BOLT, CARRIAGE 3/8-16 X 1 FULL THD.	4
20	10025	WASHER, FLAT 3/8 SAE ZINC	4
21	10811	WASHER, LOCK 3/8 ZINC	4
22	10404	NUT, HEX 3/8-16 ZINC	4
23	77061-2	PROPANE TANK STRAP W/ HINGE	1
24	77061-3	PROPANE TANK CLAW BRACKET	1
25	77061-4	PROPANE TANK TOGGLE CLAMP	1
26	11661	SCREW, FLAT HD SLT 1/4-20 X 1	2
27	10602	WASHER, FLAT 1/4 SAE	2
28	10861	NUT, KEPS LOCK 1/4-20 ZINC	2
29	15130	PROPANE TANK 20LB. HORZ./VERT.	1
30	91122	DECAL, ARROW, RED, 3 X 3	1



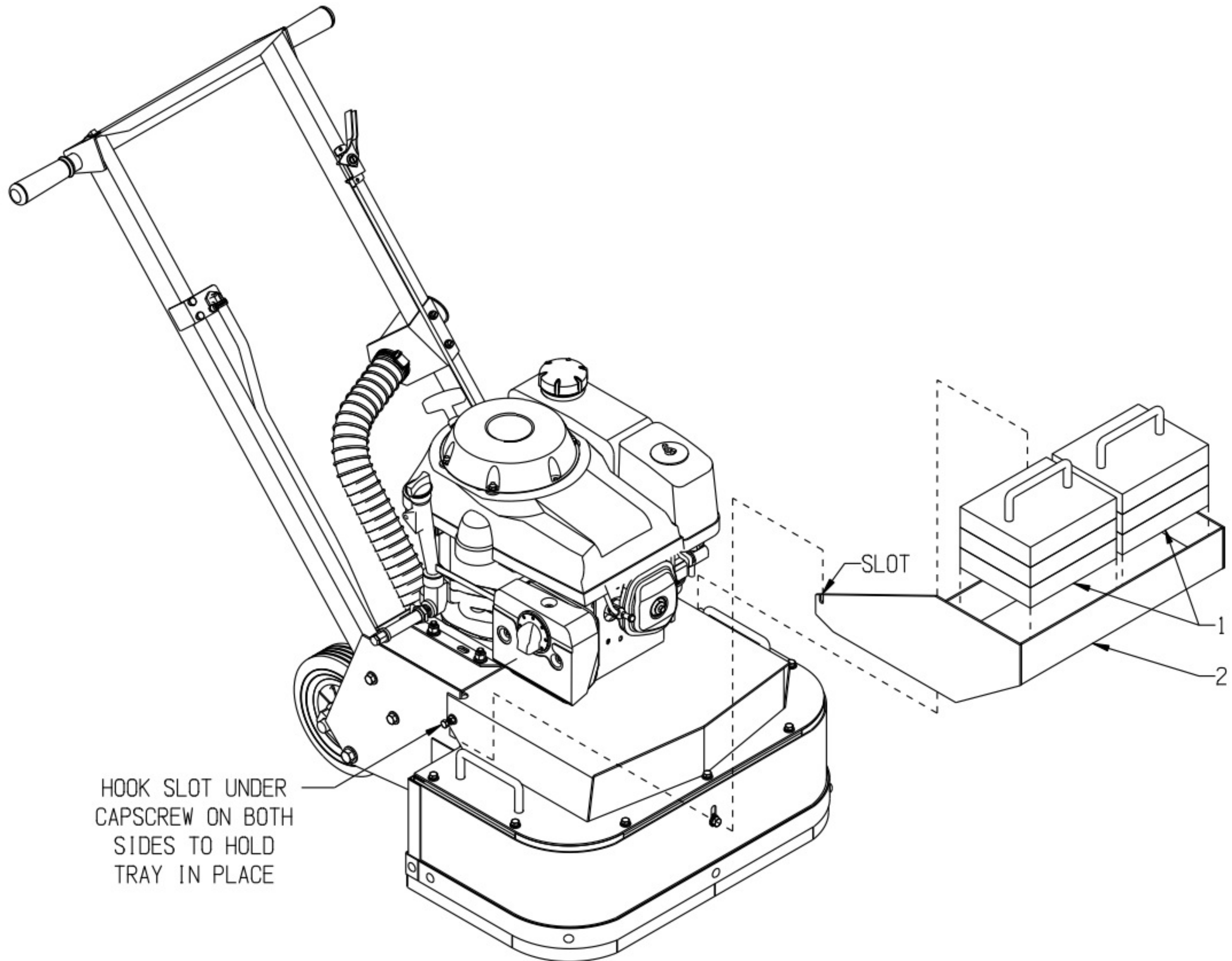
100 Thomas Johnson Drive, Frederick, MD 21702-4600 USA
 Phone (301) 663-1600 • 1-800-638-3326
 Fax (301) 663-1607 • 1-800-447-3326
 Website: www.edcoinc.com
 Email: sales@edcoinc.com

Printed in USA

JWA ©2011

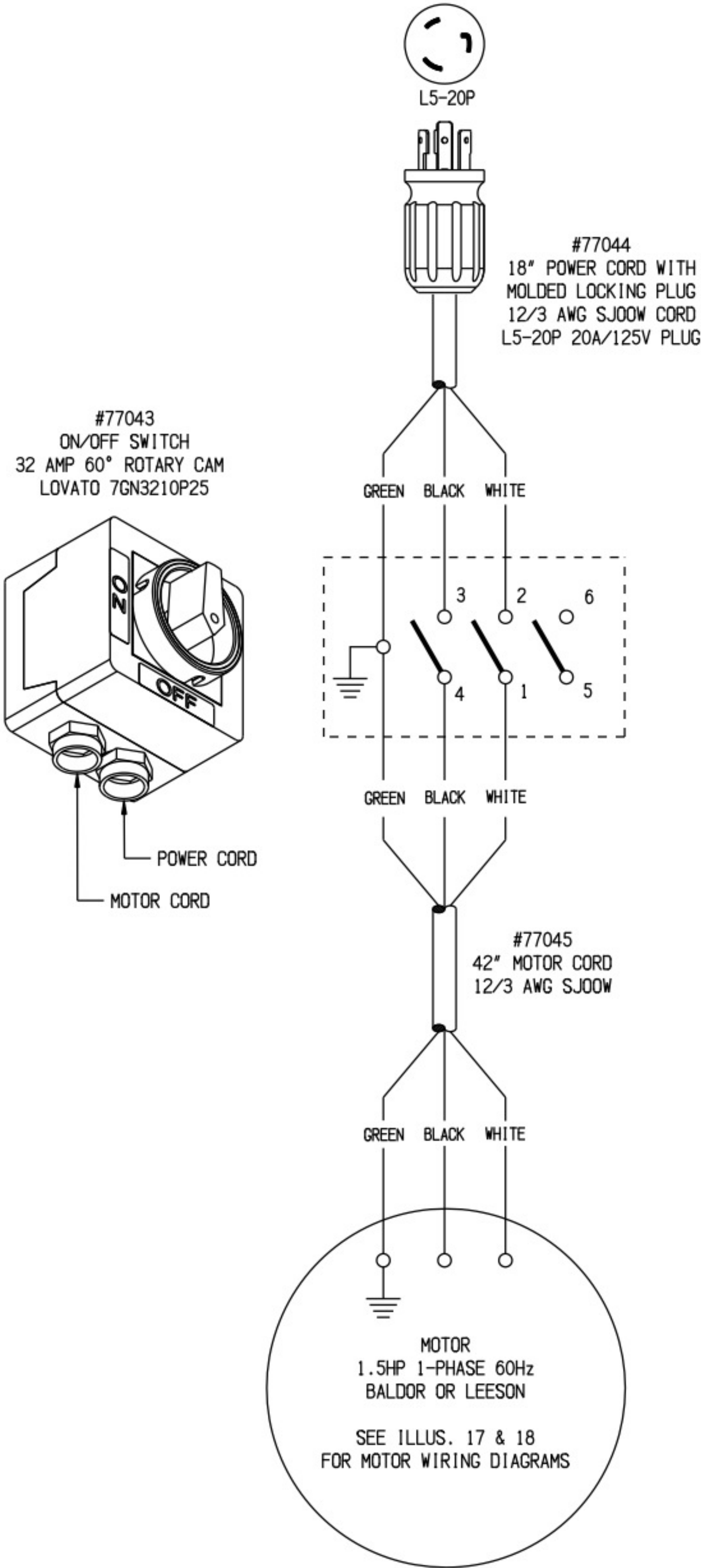
Page 23

**ILLUSTRATION 14:
OPTIONAL WEIGHT BLOCKS & TRAY**

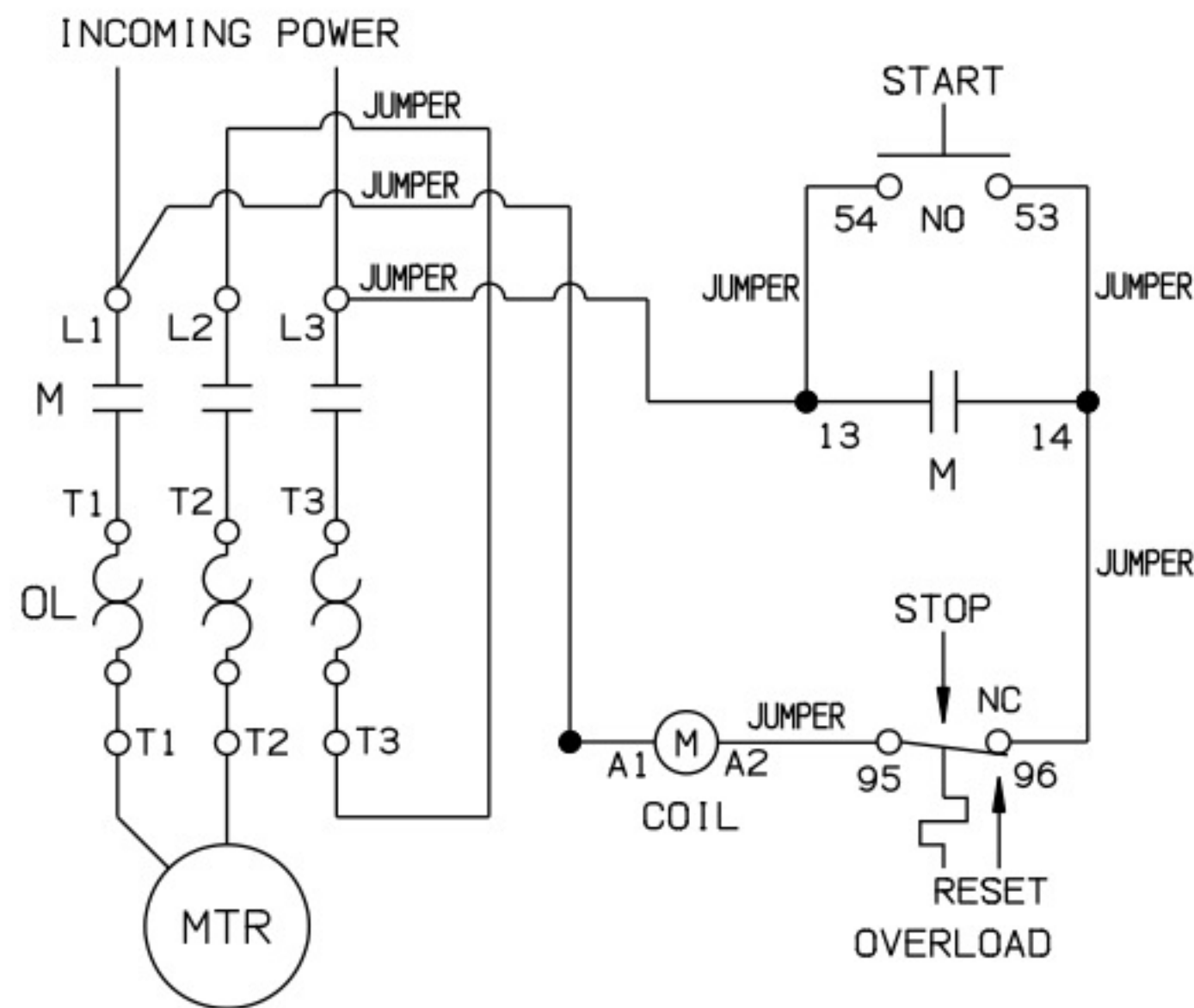
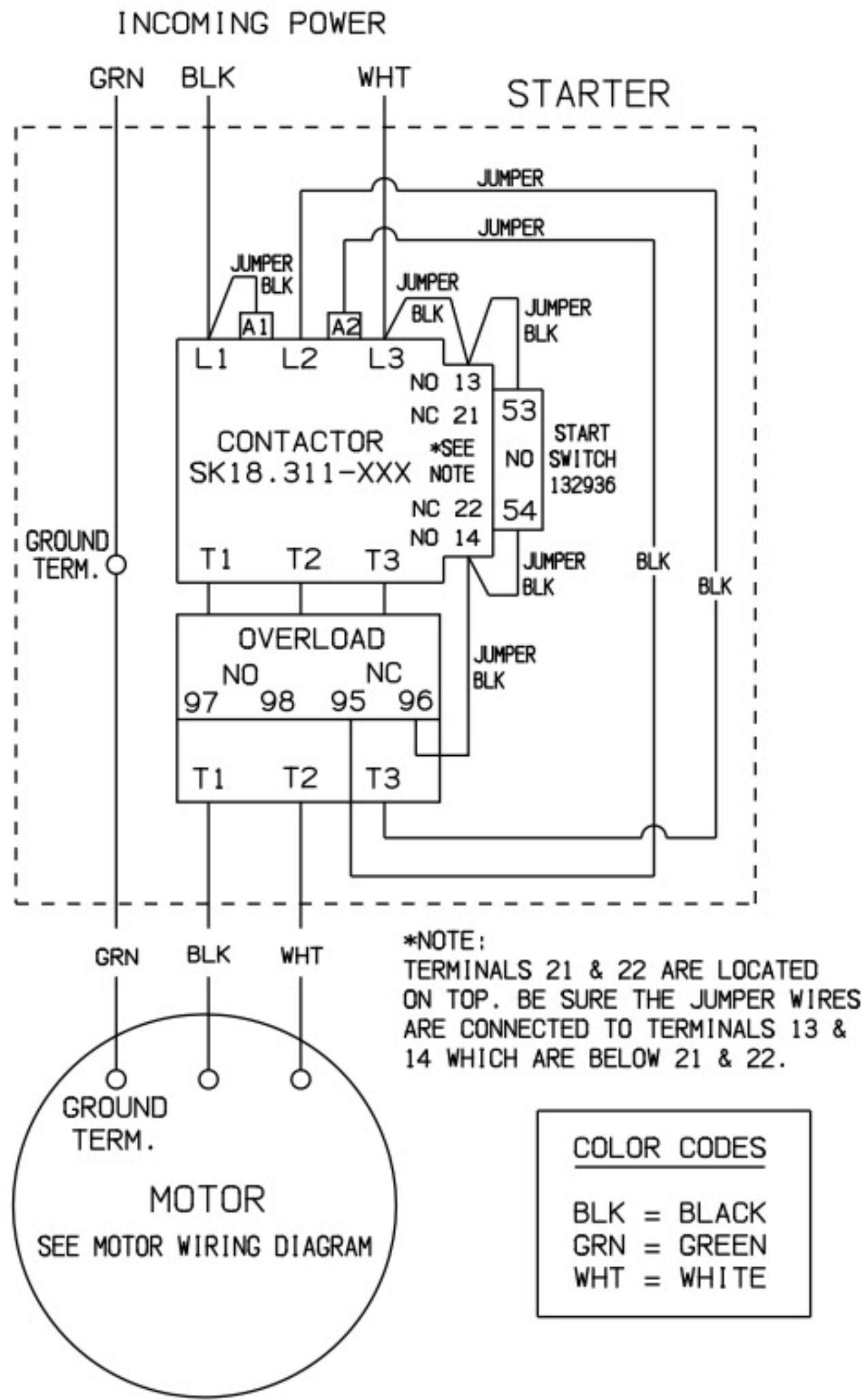


ITEM #	PART #	DESCRIPTION	QTY.
1	77049	WT-55 WEIGHT 55 LBS.(25 KG)	1 OR 2
2	77050	WT-1 WEIGHT HOLDING TRAY	1

**ILLUSTRATION 15:
SWITCH WIRING DIAGRAM FOR 1.5HP UNITS**

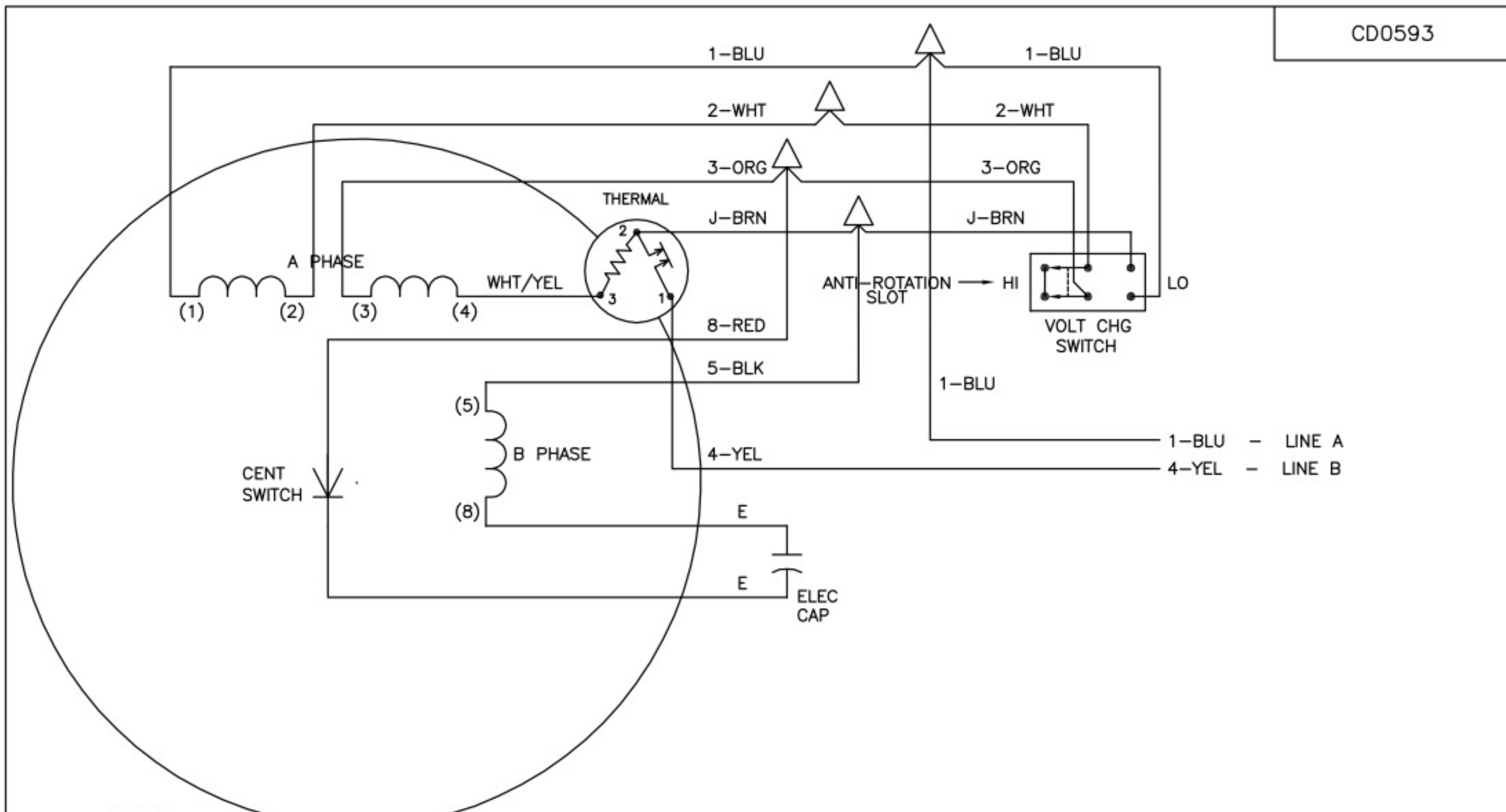


**ILLUSTRATION 16:
STARTER WIRING DIAGRAM FOR 2 & 3HP UNITS**



**ILLUSTRATION 17:
MOTOR WIRING DIAGRAM FOR 1.5 HP BALDOR**

BALDOR SPEC. NO. 36F57-385
1.5 H.P., 1 PHASE, 60 HERTZ, 1725 RPM,
115/230 VOLT, 19/9.5 FULL LOAD AMPS



CD0593

- NOTES:
1. CONNECTIONS ARE SHOWN FOR CCW ROTATION FACING END OPPOSITE SHAFT EXTENSION (STD). FOR CW ROTATION, INTERCHANGE 5 AND 8 LEADS.
 2. MULTIPLE CAPACITORS ARE CONNECTED IN PARALLEL UNLESS OTHERWISE SPECIFIED.
 3. USE 2PDT VOLTAGE CHANGE SWITCH. CONTACTS ARE SHOWN IN HIGH VOLT POSITION. VIEW IS FROM TERMINAL SIDE.
 4. LEAD COLORS ARE OPTIONAL. LEADS MUST ALWAYS BE NUMBERED AS SHOWN.

REV. DESC: REMOVE OPTIONAL THERMAL CONNECTION			BALDOR ELECTRIC Co.	CD0593
REV. LTR: C	VERSION: 01	TDR: 000000373039		
Ω69000	FILE: \AAA\00026\925	REVISED: 11:54:30 08/11/2005		
MTL: -	BY: ENJOEPO			
			TYPE L, DV, REV, THERMAL, VCS	

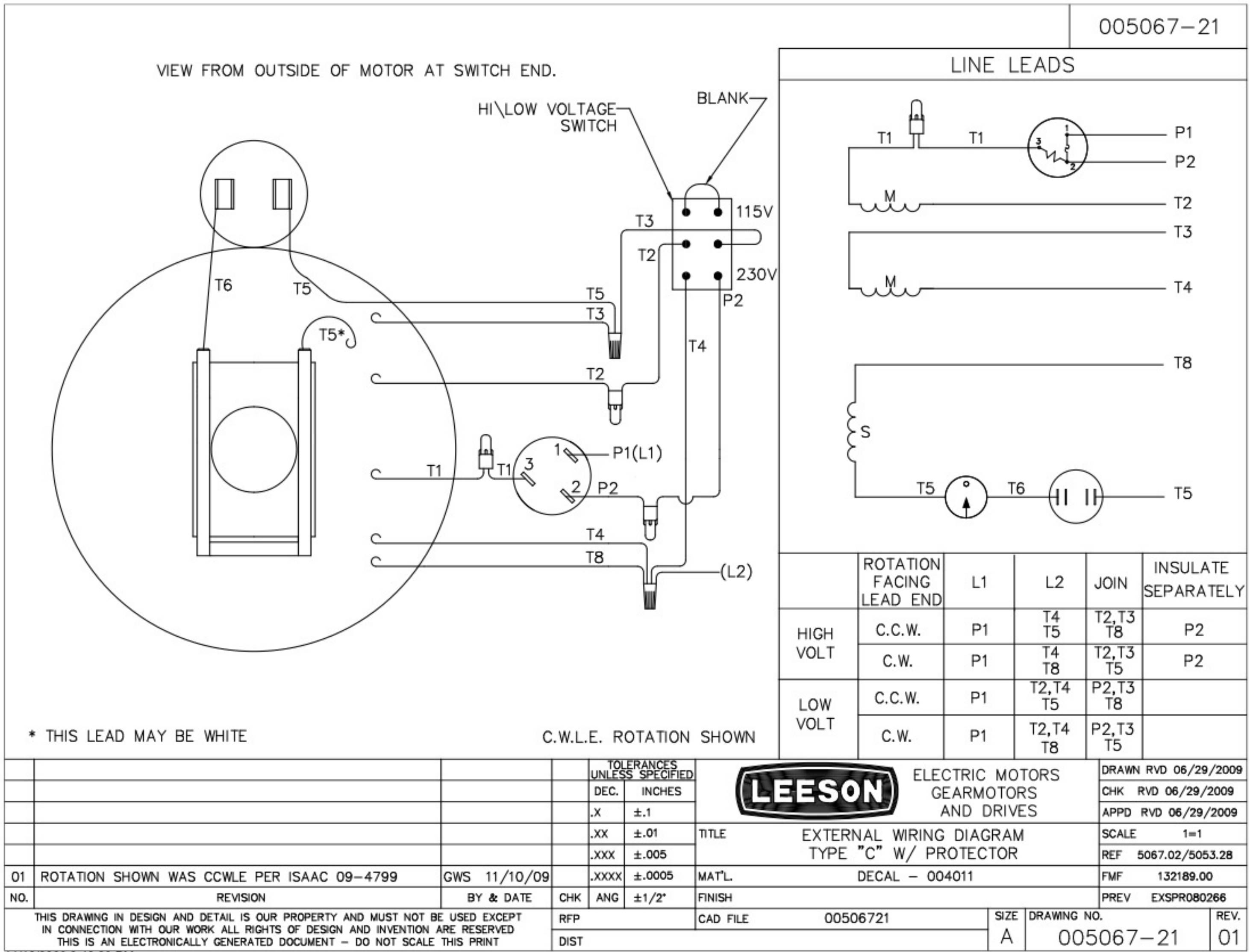


100 Thomas Johnson Drive, Frederick, MD 21702-4600 USA
 Phone (301) 663-1600 • 1-800-638-3326
 Fax (301) 663-1607 • 1-800-447-3326
 Website: www.edcoinc.com
 Email: sales@edcoinc.com

Printed in USA
 JWA ©2011
Page 27

ILLUSTRATION 18: MOTOR WIRING DIAGRAM FOR 1.5 HP LEESON

LEESON CAT. NO. 132189
1.5 H.P., 1 PHASE, 60 HERTZ, 1740 RPM,
115/230 VOLT, 20/10 FULL LOAD AMPS

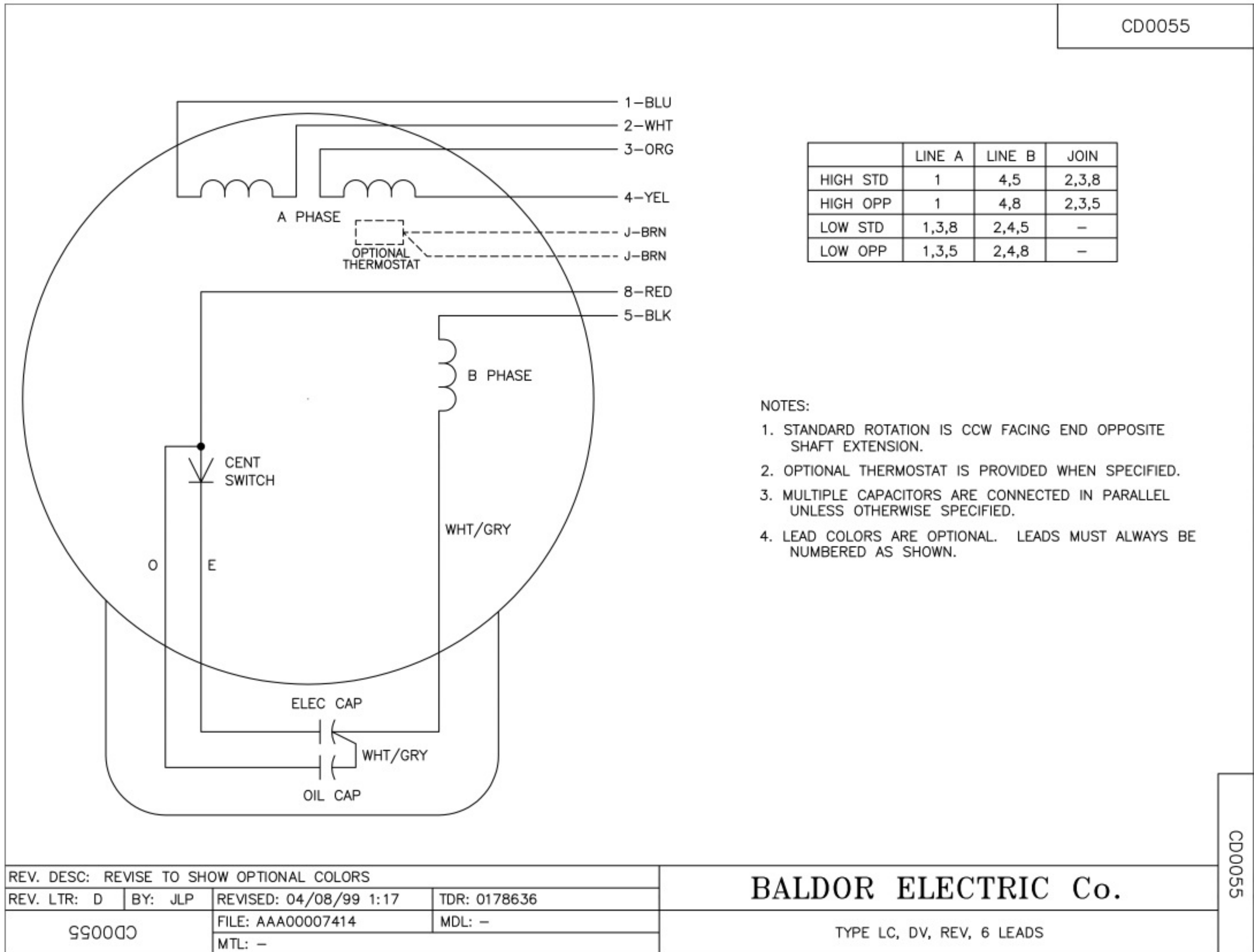


**ILLUSTRATION 19:
MOTOR WIRING DIAGRAM FOR 2 & 3 HP BALDOR**

BALDOR CAT. NO. L3605T-50
2.0 H.P., 1 PHASE, 50 HERTZ, 1425 RPM,
110/220 VOLT, 20/10 FULL LOAD AMPS

BALDOR CAT. NO. L3609T
3.0 H.P., 1 PHASE, 60 HERTZ, 1725 RPM,
115/230 VOLT, 28/14 FULL LOAD AMPS
(230V, 14A RECOMMENDED)

CD0055





A Division of Equipment Development Company, Inc.

100 Thomas Johnson Drive, Frederick, MD 21702-4600 USA
Phone (301) 663-1600 • 1-800-638-3326
Fax (301) 663-1607 • 1-800-447-3326
Website: www.edcoinc.com
Email: sales@edcoinc.com

Printed in USA
JWA ©2011
Page 31

LIMITED EQUIPMENT WARRANTY OF SALE – TERMS & CONDITIONS

Equipment Development Company, Inc. herein referred to as EDCO (Seller) warrants that each new unit manufactured by EDCO to be free from defects in material and workmanship in normal use and service for a period of (1) one year (except for the cutter drum assembly on all model concrete/asphalt planes, in which case the warranty period shall be 90 days) from date of shipment to the original retail or equipment rental center owner.

Accessories or equipment furnished and installed on the product by EDCO but manufactured by others, including, but not limited to engines, motors, electrical components, transmissions etc., shall carry the accessory manufacturers own warranty.

EDCO will, at its option, repair or replace, at the EDCO factory or at a point designated by EDCO, any part which shall appear to the satisfaction of EDCO inspection to have been defective in material or workmanship.

EDCO reserves the right to modify, alter and improve any part or parts without incurring any obligation to replace any part or parts previously sold without such modified, altered or improved part or parts.

This warranty is in lieu of and excludes all other warranties, expressed, implied, statutory, or otherwise created under applicable law including, but not limited to the warranty of merchantability and the warranty of fitness for a particular purpose in no event shall seller or the manufacturer of the product be liable for special, incidental, or consequential damages, including loss of profits, whether or not caused by or resulting from the negligence of seller and/or the manufacturer of the product unless specifically provided herein. In addition, this warranty shall not apply to any products or portions thereof which have been subjected to abuse, misuse, improper installation, maintenance, or operation, electrical failure or abnormal conditions and to products which have been tampered with, altered, modified, repaired, reworked by anyone not approved by seller or used in any manner inconsistent with the provisions of the above or any instructions or specifications provided with or for the product

FORCE MAJEURE

Seller's obligation hereunder are subject to, and Seller shall not be held responsible for, any delay or failure to make delivery of all or any part of the Product due to labor difficulties, fires, casualties, accidents, acts of the elements, acts of God, transportation difficulties, delays by a common carrier, inability to obtain Product, materials or components or qualified labor sufficient to timely perform part of or all of the obligations contained in these terms and conditions, governmental regulations or actions, strikes, damage to or destruction in whole or part of manufacturing plant, riots, terrorist attacks or incidents, civil commotions, warlike conditions, flood, tidal waves, typhoon, hurricane, earthquake, lightning, explosion or any other causes, contingencies or circumstances within or without the United States not subject to the Seller's control which prevent or hinder the manufacture or delivery of the Products or make the fulfillment of these terms and conditions impracticable. In the event of the occurrence of any of the foregoing, at the option of Seller, Seller shall be excused from the performance under these Terms and Conditions, or the performance of the Seller shall be correspondingly extended.

This document sets forth the terms and conditions pursuant to which the purchaser ("Purchaser") will purchase and Equipment Development Co. Inc. ("Seller") will sell the products, accessories, attachments (collectively the Products) ordered by the Purchaser. These terms and conditions shall govern and apply to the sale of Seller's Products to Purchaser, regardless of any terms and conditions appearing on any purchase order or other forms submitted by Purchaser to Seller, or the inconsistency of any terms therein and herein.

1. PRICE

All prices set forth on any purchase order or other document are F.O.B. Sellers facility or distribution point, as may be determined by Seller (F.O.B. Point). All prices are exclusive of any and all taxes, including, but not limited to, excise, sales, use, property or transportation taxes related to the sale or use of the Products, now or hereafter imposed, together with all penalties and expenses. Purchaser shall be responsible for collecting and/or paying any and all such taxes, whether or not they are stated in any invoice for the Products. Unless otherwise specified herein, all prices are exclusive of inland transportation, freight, insurance and other costs and expenses relating to the shipment of the Products from the F.O.B. point to Purchaser's facility. Any prepayment by Seller of freight insurance and other costs shall be for the account of Purchaser and shall be repaid to Seller.

2. PAYMENT TERMS

Payment terms are as follows. 2% 10 days (to approved and qualified accounts). Net 30 days. This is a cash discount for invoices paid within 10 days after the invoice date, regardless of date of receipt of shipment. This is not a trade discount and will not be granted to accounts that do not adhere to stated terms.

*All past due accounts are subject to a late payment fee of 1.5% per month or a maximum allowed by law if different, along with the expenses incidental to collection including reasonable attorney's fees and costs.

*Seller reserves the right to hold shipments against past due accounts.

*Seller reserves the right to alter payment terms.

3. FREIGHT TERMS

All shipments will be made F.O.B. shipping point as designated in these Terms and Conditions, and title shall pass at the F.O.B. point. Delivery to the initial common carrier shall constitute delivery to the Purchaser. Any claims for loss or damage during shipment are to be filed with carrier by the Purchaser. Seller will not assume responsibility for the performance of the carrier.

Back orders will be shipped in the most practical fashion with charges consistent with our freight policy established with the original order. UPS, FED EX, MAIL or shipments by other couriers are subject to the same terms and conditions as outlined in paragraph #3 "Freight Terms".

4. DELIVERY, DAMAGES, SHORTAGES

Seller shall use reasonable efforts to attempt to cause the Products to be delivered as provided for in these Terms & Conditions. Delivery to the initial common carrier shall constitute the delivery to the Purchaser. Seller's responsibility, in so far as transportation risks are concerned ceases upon the delivery of the Products in good condition to such carrier at the F.O.B. point and all the Products shall be shipped at the Purchaser's risk. Seller shall not be responsible or liable for any loss of income and/or profits, or incidental, special, consequential damages resulting from Seller's delayed performance in shipment and delivery.

5. RETURN OF DEFECTIVE PRODUCTS

Defective or failed material shall be held at the Purchaser's premises until authorization has been granted by Seller to return or dispose of Products. Products that are to be returned for final inspection must be returned Freight Prepaid in the most economical way. Credit will be issued for material found to be defective upon Seller's inspection based on prices at time of purchase.

6. PRODUCTS ORDERED IN ERROR

Products may be returned, provided that claim is made and Seller is notified within 7 days of receipt of Products, and the Products are in original buyer's possession not more than 30 days prior to return, subject to Seller's approval. If Products are accepted for return, they must be Freight Prepaid and buyer will be charged a minimum of 15% restocking charge, plus a charge back for outbound freight charges if the original order was shipped prepaid. Returns are not accepted for any Products that are specifically manufactured to meet the buyer's requirement of either specifications or quantity.

AGREEMENTS

These Terms and Conditions constitute the entire agreement between Seller and Purchaser as it relates to terms and conditions of sale, and supersedes any and all prior oral or written agreements, correspondence, quotations or understandings heretofore in force between the parties relating to the subject matter hereof. There are no agreements between Seller and Purchaser with respect to the Product herein except those specifically set forth in and made part of these terms and conditions. Any additional terms, conditions and/or prices are rejected by Seller.

These terms and conditions may be modified, cancelled or rescinded only by a written agreement of both parties executed by their duly authorized agents.

USE ONLY GENUINE EDCO PARTS & ACCESSORIES
For your own safety, the safety of others and the life of your machine.

Equipment Development Company, Inc.