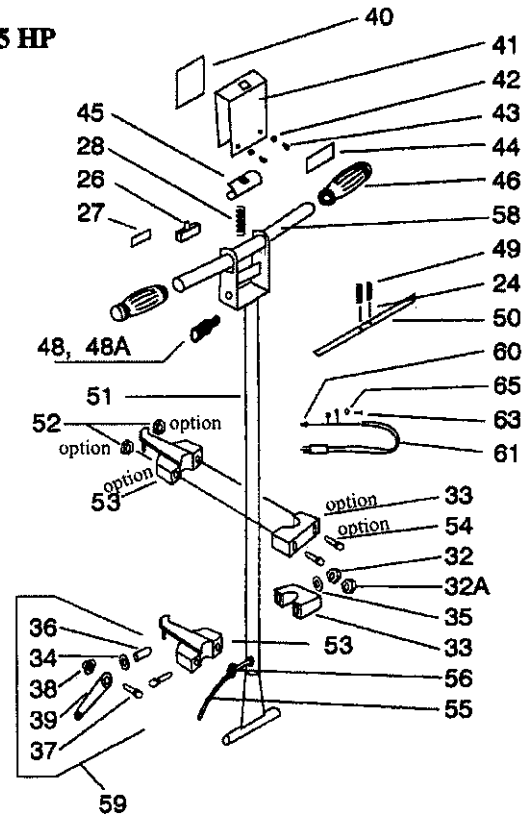
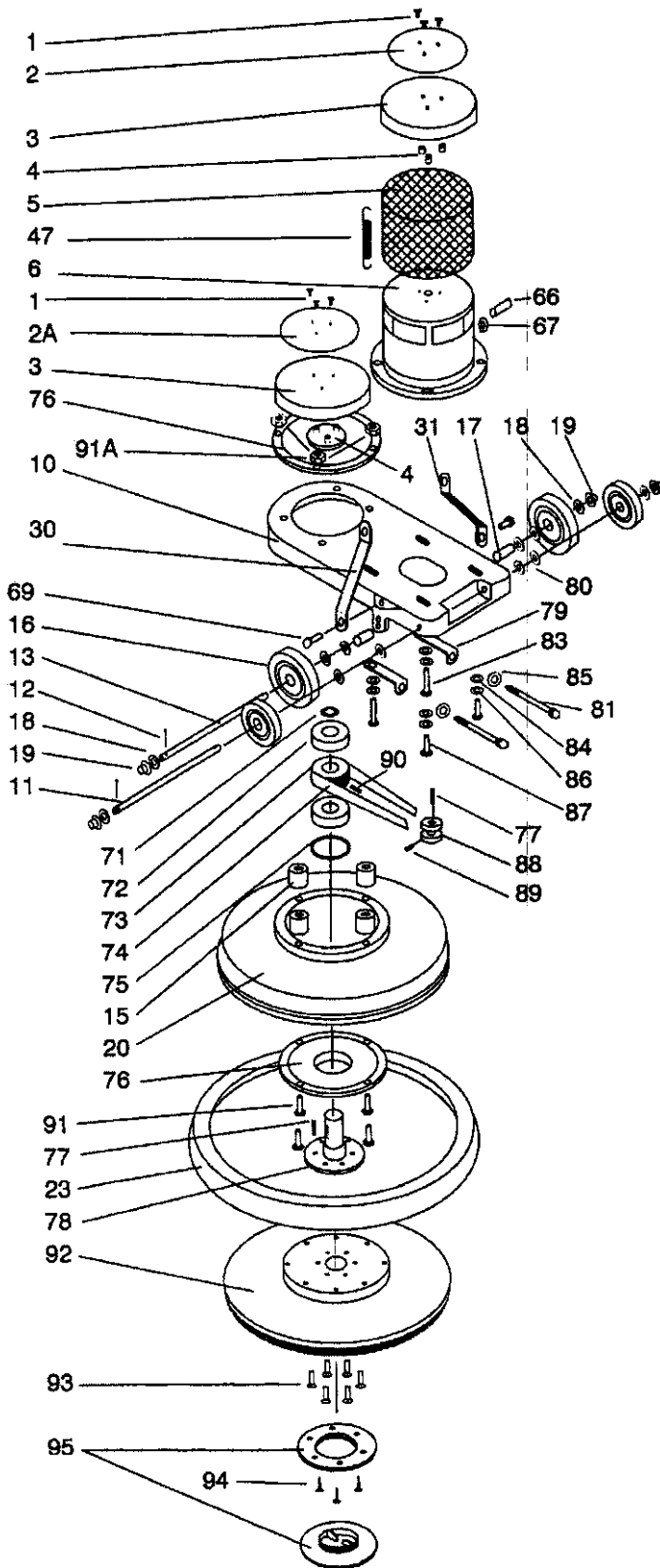


FLOOR MACHINE ASSEMBLIES
HP1520-HSB HP1520-2M
20" 1500 RPM 1.5 HP 20" 2000 RPM 1.5 HP



FLOOR MACHINE PARTS LIST

REF. NO.	HP 1017 17" 1 HP 175 RPM	HP1517HD 17" 1.5 HP 175 RPM	HP1020 20" 1 HP 175 RPM	HP1520-HD 20" 1.5 HP 175 RPM	HP1520-2S 20" 1.5 HP 2-SPEED	HP1520-HSB 20" 1.5 HP 1500 RPM	HP1520-2M 20" 1.5 HP 2000 RPM	DESCRIPTION	QTY REQ
	X	-----	-----	-----	-----	-----	-----	17" FI Mach, 175 RPM, 1 HP	
	-----	X	-----	-----	-----	-----	-----	17" FI Mach, 175 RPM, 1½ HP	
	-----	-----	X	-----	-----	-----	-----	20" FI Mach, 175 RPM, 1 HP	
	-----	-----	-----	X	-----	-----	-----	20" FI Mach, 175 RPM, 1½ HP	
	-----	-----	-----	-----	X	-----	-----	20" FI Mach, 175/300 RPM 2-spd 1½ HP	
	-----	-----	-----	-----	-----	X	-----	20" FI Mach, 1500 RPM 1½ HP	
	-----	-----	-----	-----	-----	-----	X	20" FI Mach 2000 RPM 1½ HP	
1	H0002	H0040	H0002	H0040	H0002	H0002	H0002	Screw 10-24 X 1.00" / 10-24 x .50"	3
2	L0001	L0001	L0001	L0001	L0001	L0001	L0001	Label, Incl, 6.5" dia.	1
2A	-----	-----	-----	-----	-----	L0006	L0006	Label, 1500 RPM.	1
3	C0010-1	C0010-1	C0010-1	C0010-1	C0010-1	C0010-1	C0010-1	Cover, Drip-Motor	1
4	H0003	H0058	H0003	H0058	H0003	H0003	H0003	Spacer, Drip Cover	3
5	-----	-----	-----	-----	S0016	S0016	S0016	Cover, Motor-Screen	1
6	E0001G	-----	E0001G	-----	-----	-----	-----	Mtr/Gear Unit Asm. 115/60, 1 HP	1
6	-----	-----	-----	-----	E0005	-----	-----	Mtr/Gear Unit Asm. 115/60, 1.5 HP	1
6	-----	E0030G	-----	E0030G	-----	-----	-----	Mtr/Gear Unit Asm. 115/60, 1.5 HP	1
6	-----	-----	-----	-----	-----	E0027	E0027	Motor, 115/60, 1.5 HP	1
7	E0001	-----	E0001	-----	-----	-----	-----	Motor, 115/60, Black, 1 HP	1
7	-----	E0030	-----	E0030	-----	-----	-----	Motor, 115/60. Black, 1½ HP	1
8	G0001	-----	G0001	-----	-----	-----	-----	Gear Unit, 10:1, 2-Idler-Black	1
8	-----	G0002	-----	G0002	-----	-----	-----	Gear Unit, 10:1, 3-Idler-Black	1
9	H0005	H0005	H0005	H0005	H0005	-----	-----	Lockwasher, 5/16" ID, Ext Tooth	4
10	W0001P	W0001P	W0001P	W0001P	W0001P	W0004P	W004P-1	Frame- Floor Machine	1
11	M0006P	M0006P	M0006P	M0006P	M0006P	M0018P	M0018P	Shaft Handle	1
12	H0006	H0006	H0006	H0006	H0006	H0006	H0006	Cotter Pin	4
13	M0005P	M0005P	M0005P	M0005P	M0005P	M0017P	M0017P	Shaft, Axle	1
14	H0007	H0007	H0007	H0007	H0007	-----	-----	Spring Washer	2
15	M0004	M0004	M0004	M0004	M0004	M0004	M0004	Spacer, Frame/Brush Cover	4
16	C0004	C0004	C0004	C0004	C0004	C0004	C0004	Wheel, 5" dia.	2
17	-----	-----	-----	-----	-----	M0003	M0003	Spacer	2
18	H0008	H0008	H0008	H0008	H0008	H0008	H0008	Steel Washer, 33/64" X 7/8"	12
19	H0009	H0009	H0009	H0009	H0009	H0009	H0009	NutPush -.50"	4
20	S0003P	S0003P	-----	-----	-----	-----	-----	Brush Cover, 17"	1
20	-----	-----	S0004P	S0004P	S0004P	S0004P	S0004P	Brush Cover, 20"	1
21	H0010	H0010	H0010	H0010	H0010	-----	-----	Lockwasher, 5/16" ID.	4
22	H0011	H0011	H0011	H0011	H0011	-----	-----	Screw, 5/16" X2.0SocHd	4
23	C0001	C0001	-----	-----	-----	-----	-----	Bumper, 17" Black	1
23	-----	-----	C0002	C0002	C0002	C0002	C0002	Bumper, 20" Black	1
24	H0012	H0012	H0012	H0012	H0012	H0012	H0012	Roll Pin.	2
25	-----	-----	-----	-----	E0006	-----	-----	Switch, Hi - Lo	1
26	E0007	E0007	E0007	E0007	E0007	E0007	E0007	Switch, ON/OFF	1
27	H0013	H0013	H0013	H0013	H0013	H0013	H0013	Insulation, Switch	1
28	H0014	H0014	H0014	H0014	H0014	H0014	H0014	Spring	1
29	E0008	-----	E0008	-----	-----	-----	-----	Capacitor, 594 MFD	1
30	S0006P	S0006P	S0006P	S0006P	S0006P	S0017P	S0017P	Connecting Leg- Left	1
31	S0005P	S0005P	S0005P	S0005P	S0005P	S0018P	S0018P	Connecting Leg - Right	1
32	H0015	H0015	H0015	H0015	H0015	H0015	H0015	Nut, 3/8" - 16 Hex Nyloc Standard	1
32A	H0057	H0057	H0057	H0057	H0057	H0057	H0057	Nut, 3/8" - 16 Hex Nyloc Thin	1
33	C0006P	C0006P	C0006P	C0006P	C0006P	C0006P	C0006P	Clamp, Handle Lock	1
34	H0001P	H0001P	H0001P	H0001P	H0001P	H0001P	H0001P	Washer, Hardened Slotted	1
35	H0016	H0016	H0016	H0016	H0016	H0016	H0016	Washer, 3/8"	3
36	H0017	H0017	H0017	H0017	H0017	H0017	H0017	Stud, Clamp	1
37	H0018	H0018	H0018	H0018	H0018	H0018	H0018	Rivet, 5/16" X 1.25 Long Rd Head	1
38	H0019	H0019	H0019	H0019	H0019	H0019	H0019	Push Nut 5/16"	1
39	M0001P	M0001P	M0001P	M0001P	M0001P	M0001P	M0001P	Cam. HandleLock	1
40	L0002	L0002	L0002	L0002	L0002	L0002	L0002	Label, Switchbox	1
41	W0003P	W0003P	W0003P	W0003P	W0003P	W0003P	W0003P	Cover Asm, Switchbox	1
42	H0020	H0020	H0020	H0020	H0020	H0020	H0020	Lockwasher, #10 Ext Tooth	3
43	H0040	H0040	H0040	H0040	H0040	H0040	H0040	Screw, 10-24 X .50 Pan Head	2
44	L0005	L0005	L0005	L0005	L0005	L0005	L0005	Label, Warning	1

FLOOR MACHINE PARTS LIST

REF. NO.	HP 1017 17" 1 HP 175 RPM	HP10170HD 17" 1.5 HP 175 RPM	HP1020 20" 1 HP 175 RPM	HP1520-HD 20" 1.5 HP 175 RPM	HP1520-2S 20" 1.5 HP 2-SPEED	HP1520-HSB 20" 1.5 HP 1500 RPM	HP1520-2M 20" 1.5 HP 2000 RPM	DESCRIPTION	QTY REQ
45	C0003	C0003	C0003	C0003	C0003	C0003	C0003	Switch, Safety	1
46	C0007	C0007	C0007	C0007	C0007	C0007	C0007	Handle Grip, Black	2
47					H0049	H0049	H0049	Spring, Clamp	2
48	H0021	H0021	H0021	H0021	H0021	H0021	H0021	Strain Relief, Power Cord	1
48A	H0022	H0022	H0022	H0022	H0022	H0022	H0022	Nut, Strain Relief	1
49	H0023	H0023	H0023	H0023	H0023	H0023	H0023	Spring, Trigger	2
50	S0008P	S0008P	S0008P	S0008P	S0008P	S0008P	S0008P	Trigger	1
51	W0002P	W0002P	W0002P	W0002P	W0002P	W0002P	W0002P	Handle Weldment	1
52	H0024	H0024	H0024	H0024	H0024	H0024	H0024	Nut, 3/8" - 16	2
53	C0008P	C0008P	C0008P	C0008P	C0008P	C0008P	C0008P	Cord Hook Body	1
54	H0025	H0025	H0025	H0025	H0025			Screw, 3/8"-16 X 2.0 Socket Cap	3
55					E0012	E0028	E0028	In-Handle Cord, 14-4	1
56	H0028	H0028	H0028	H0028	H0028	H0028	H0028	Grommet	1
57	H0026	H0026	H0026	H0026				Screw, Motor - 1/4"-20 X 6 3/4	4
58	E0010	E0010	E0010	E0010	E0010	E0010	E0010	Handle Asm, Complete	1
59	HP0003	HP0003	HP0003	HP0003	HP0003	HP0003	HP0003	Cam Lock Asm, Incl 34,36,37,38,39	1
60	H0027	H0027	H0027	H0027	H0027	H0027	H0027	Nut, Wire	1
61	E0003	E0003	E0003	E0003	E0003	E0003	E0003	Power Cord, 14-3 ST, 50 FT Long	1
62	H0029	H0029	H0029	H0029	H0047	H0029	H0029	Clamp, Power Cord	1
63	H0040	H0040	H0040	H0040	H0040	H0040	H0040	Screw, 10-24 X .50	2
64	H0031	H0031	H0031	H0031	H0031	H0031	H0031	Cotter Pin	1
65	H0020	H0020	H0020	H0020	H0020	H0020	H0020	Lockwasher, #10 Ext. Tooth	1
66					H0050	H0050	H0050	Strain Relief	1
67					H0022	H0022	H0022	Nut, Strain Relief	1
68						H0057	H0057	.375 - 16 Nyloc Nut	4
69						H0043	H0043	.375 - 16 X 1.50 Long Hex Bolt	2
70						H0015	H0015	.375 - 16 Nyloc Nut	2
71						H0045	H0045	External Retaining Ring	1
72						M0019	M0019	Ball Bearing	2
73						M0014	M0014	Pulley	1
74						C0014-1	C0014-1	Belt	1
75						H0048	H0048	Tension Washer	1
76						C0011M	C0011M	Bearing Housing	2
77						H0053	H0053	Square Key	2
78						W0005P	W0005P	Drive Shaft	1
79						S0019P-1	S0019P-1	Belt Adjustment Bracket	2
80						H0008	H0008	Washer 33/64" X 7/8"	8
81						H0056-3	H0056-3	Bolt 1/4 - 20 X 3.0" long	2
82						H0051	H0051	Set Screw 1/4 - 20 X .50"	2
83						H0042	H0042	Bolt .375 - 16 X .875" long	2
84						H0004	H0004	Lock Washer Split .375"	4
85						H0054	H0054	Lock Washer Split .250"	2
86						H0060	H0060	Flat Washer .375"	4
87						H0041	H0041	Bolt .375 - 16 X .750" long	2
88						M0015	M0015-1	Pulley	1
89						H0052	H0052	Set Screw .312 - 18 X .375" long	2
90						H0051	H0051	Set Screw .250 - 20 X .500" long	1
91						H0044	H0044	Bolt .375 - 16 X 2 1/2" long	4
91A						H0057	H0057	Nut, Nylon, 3/8 X 16	4
92						C0012	C0012	Pad Driver - Flex	1
93						H0032	H0032	Flat Head Cap Screw 1/4 - 28 X 1"	6
94						H0059	H0059	Sheet Metal Screw #8 Pan Head 3/4"	3
95						C0013-1	C0013-1	Pad Centering & Retaining Clamp	1

OPTIONAL ACCESSORIES

MODEL	MODEL	MODEL	MODEL	OPTION DESCRIPTION
HP1017 17" 1.0 HP 175 RPM	HP1020 20" 1.0 HP 175 RPM	HP1520-2S 20" 1.5 HP 175/300 RPM 2-SPEED	HP1520-HSB 20" 1.5 HP 1500 RPM HP1520-2M 20" 1.5 HP 2000 RPM	
A0002.....	A0003.....	A0003.....	-----	Polypropylene Brush
A0004.....	A0005.....	A0005.....	-----	Polish Brush
A0006.....	A0007.....	A0007.....	-----	Nylon Brush
A0008.....	A0009.....	A0009.....	-----	Grit Brush
A0010.....	A0011.....	A0011.....	-----	Pad Driver
E0013.....	E0013.....	E0013.....	E0013.....	Plug, Hospital Grade, 115V
A0019.....	A0019.....	A0019.....	-----	Clutch Plate, Plastic, 6 Holes
A0019-1.....	A0019-1.....	A0019-1.....	-----	Clutch Plate, Cast Aluminum, 6 Holes

FEATURES

- Dual trigger negative pressure switch allows operator to run with either hand.
- Safety switch lock mechanism prevents accidental start.
- Steel transmission gears give outstanding wear and durability.
- Planetary gearbox means strength.
- Premium 66 frame motors provide better cooling and more torque with longer motor life.
- One piece welded heavy gauge steel handles give superior handling stability.
- Ergonomically designed foot operated positive lock handle adjustment eliminates bending.
- High strength steel frames withstand heavy duty wear situations.