

NINJA

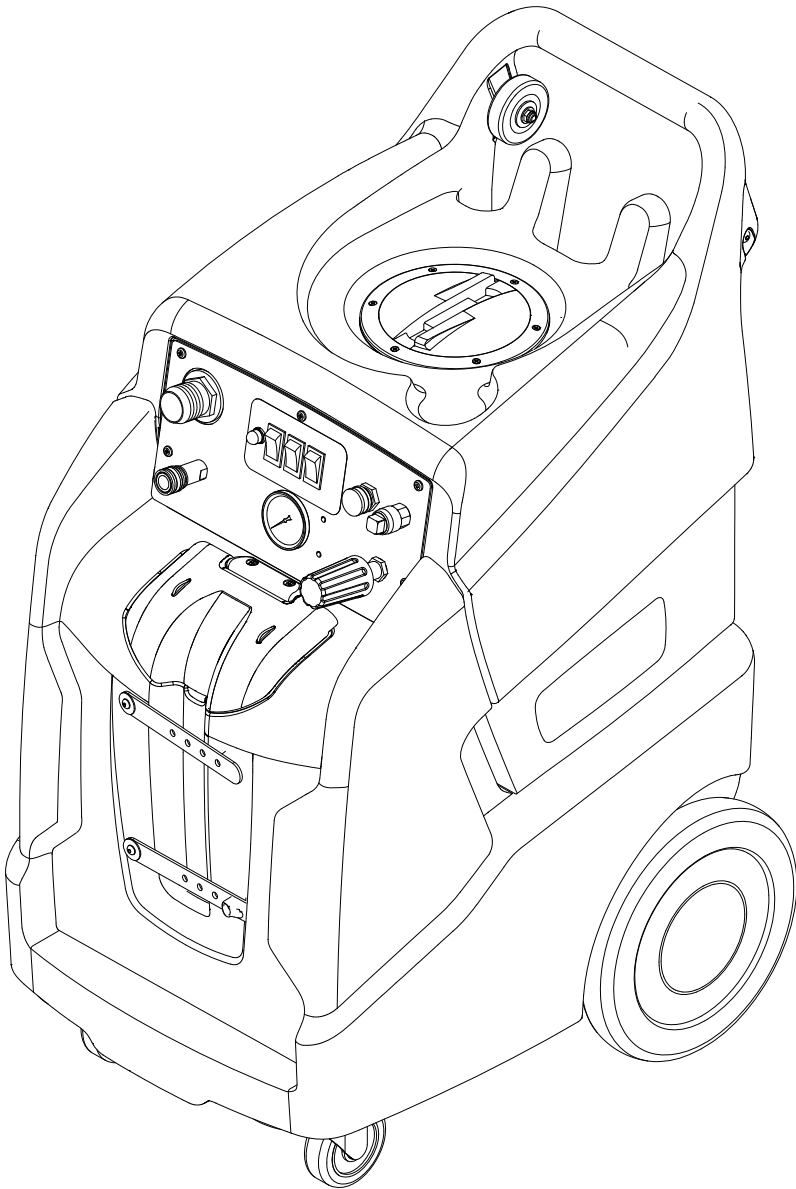
Warrior

1200 PSI

CENTURY
400TM

Operating instructions (ENG)

MODELS: **NWCU1312N**
 10070700



Read these instructions before using the machine.



Model: _____
Date of Purchase: _____
Serial Number: _____
Dealer: _____
Address: _____
Phone Number: _____
Sales Representative: _____

OVERVIEW

The Ninja Warrior is an electric powered carpet extractor intended for commercial use. This appliance applies a cleaning solution to the carpet and then vacuums the soiled water back into the recovery tank.

Machine Data Log / Overview	2	<i>PARTS</i>	
Table of Contents	3	Control Panel	20
How to Use This Manual	4	Electrical	22
		Frame	24
<i>Safety</i>		Labels	26
IMPORTANT SAFETY INSTRUCTIONS	5	Pump	28
HAZARD INTENSITY LEVEL	6	Pump-Out	30
Safety Labels	7	Recovery	32
Grounding Instructions	8	Solution	34
		Vacuum	36
<i>Operations</i>		Wiring	38
Technical Specifications	9	Suggested Spare Parts	40
Controls	10	Serial Numbers	41
Machine Operation	11		
Chemicals	11		
Solution Pump	11		
Auto-Fill	11		
Auto Pump-Out	11		
Pre-Run Inspection	12		
Equipment Set-up	12		
Cleaning	12		
<i>Maintenance</i>			
Periodic Maintenance	13		
Daily/Regular Maintenance	13		
Vacuum Motor Replacement	14		
Solution Pump Replacement	15		
Troubleshooting	16		

How to Use This Manual

This manual contains the following sections:

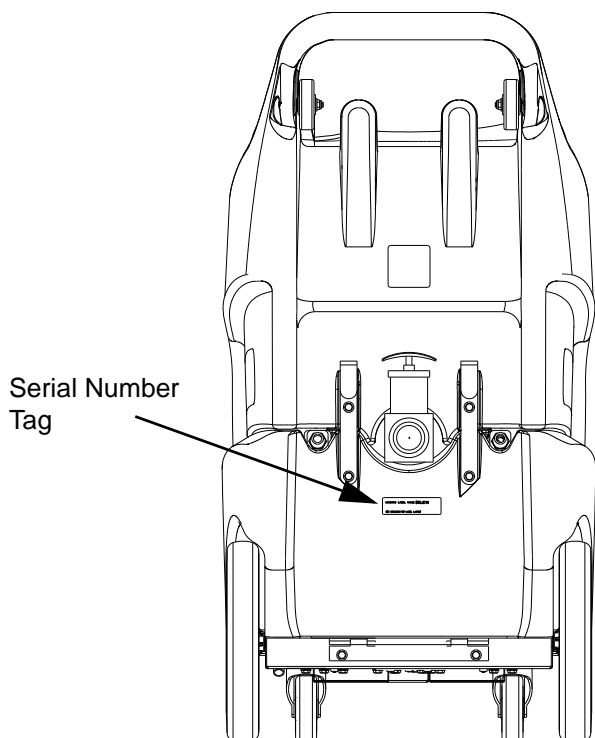
- How to Use This Manual
- Safety
- Operations
- Maintenance
- Parts List

The HOW TO USE THIS MANUAL section will tell you how to find important information for ordering correct repair parts.

Parts may be ordered from authorized dealers. When placing an order for parts, the machine model and machine serial number are important. Refer to the MACHINE DATA box which is filled out during the installation of your machine. The MACHINE DATA box is located on the inside of the front cover of this manual.

Model:	_____
Date of Purchase:	_____
Serial Number:	_____
Dealer:	_____
Address:	_____
Phone Number:	_____
Sales Representative:	_____

The model and serial number of your machine is located approximately where shown.



The SAFETY section contains important information regarding hazardous or unsafe practices of the machine. Levels of hazards are identified that could result in product damage, personal injury, or severe injury resulting in death.

The OPERATIONS section is to familiarize the operator with the operation and function of the machine.

The MAINTENANCE section contains preventive maintenance to keep the machine and its components in good working condition. They are listed in this general order:

- Maintenance
- Lubrication
- Vacuum Motor Replacement
- Solution Pump Replacement
- Troubleshooting

The PARTS LIST section contains assembled parts illustrations and corresponding parts list. The parts lists include a number of columns of information:

- **REF** – column refers to the reference number on the parts illustration.
- **PART NO.** – column lists the part number for the part.
- **PRV NO.** – reference number.
- **QTY** – column lists the quantity of the part used in that area of the machine.
- **DESCRIPTION** – column is a brief description of the part.
- **SERIAL NO. FROM** – If this column has an (*) and a Reference number, see the SERIAL NUMBERS page in the back of your manual. If column has two asterisk (**), call manufacturer for serial number. The serial number indicates the first machine the part number is applicable to. The main illustration shows the most current design of the machine. When a boxed illustration is shown, it displays the older design.
- **NOTES** – column for information not noted by the other columns.

NOTE: If a service or option kit is installed on your machine, be sure to keep the **KIT INSTRUCTIONS** which came with the kit. It contains replacement parts numbers needed for ordering future parts.

NOTE: The manual part number is located on the lower left corner of the front cover.

IMPORTANT SAFETY INSTRUCTIONS

When using an electrical appliance, basic precaution must always be followed, including the following:

READ ALL INSTRUCTIONS BEFORE USING THIS MACHINE.

This machine is for commercial use.

⚠ WARNING: To reduce the risk of fire, electric shock, or injury:

Connect to a **properly grounded outlet**. See Grounding Instructions.

Do not leave the machine unattended. Unplug machine from outlet when not in use and before maintenance or service.

Use only indoors. Do not use outdoors or expose to rain.

Do not allow machine to be used as a toy. **Close attention** is necessary when used by or near children.

Use only as described in this manual. Use only manufacturer's recommended components and attachments.

Do not use damaged electrical cord or plug. Follow all instructions in this manual concerning grounding the machine. If the machine is **not working properly**, has been dropped, damaged, left outdoors, or dropped into water, return it to an authorized service center.

Do not pull or carry machine by electrical cord, use as a handle, close a door on cord, or pull cord around sharp edges or corners.

Do not run machine over cord. **Keep** cord away from heated surfaces.

Do not unplug machine by pulling on cord. To unplug, grasp the electrical plug, not the electrical cord.

Do not handle the electrical plug or machine with wet hands.

Do not operate the machine with any openings blocked. Keep openings free of debris that may reduce airflow.

This machine is intended for cleaning carpet only.

Do not vacuum anything that is burning or smoking, such as cigarettes, matches, or hot ashes.

This machine is not suitable for picking up health endangering dust.

Turn off all controls before unplugging.

Machine can cause a fire when operating near flammable vapors or materials. Do not operate this machine near flammable fluids, dust or vapors.

This machine is suitable for commercial use, for example in hotels, schools, hospitals, factories, shops and offices for more than normal housekeeping purposes.

Maintenance and repairs must be done by qualified personnel.

If foam or liquid comes out of machine, switch off immediately.

SAVE THESE INSTRUCTIONS

The following symbols are used throughout this guide as indicated in their descriptions:

HAZARD INTENSITY LEVEL

There are three levels of hazard intensity identified by signal words **-WARNING** and **CAUTION** and **FOR SAFETY**. The level of hazard intensity is determined by the following definitions:

WARNING:

WARNING - Hazards or unsafe practices which **COULD** result in severe personal injury or death.

CAUTION:

CAUTION - Hazards or unsafe practices which could result in minor personal injury or product or property damage.

FOR SAFETY: To Identify actions which must be followed for safe operation of equipment.

Report machine damage or faulty operation immediately. Do not use the machine if it is not in proper operating condition. Following is information that signals some potentially dangerous conditions to the operator or the equipment. Read this information carefully. Know when these conditions can exist. Locate all safety devices on the machine. Please take the necessary steps to train the machine operating personnel.

FOR SAFETY:

DO NOT OPERATE MACHINE:

Unless Trained and Authorized.

Unless Operation Guide is Read and understood.

In Flammable or Explosive areas.

In areas with possible falling objects.

WHEN SERVICING MACHINE:

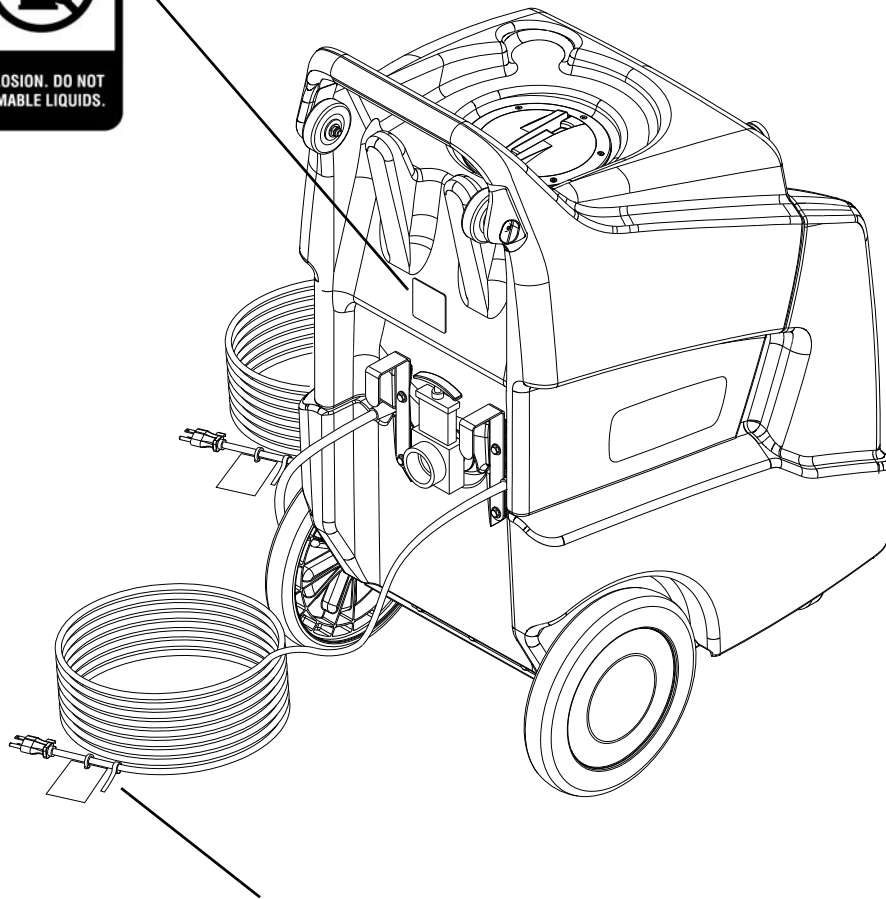
Avoid moving parts. Do not wear loose clothing; jackets, shirts, or sleeves when working on the machine.

Use only manufacturer approved replacement parts.

Safety Labels

NOTE: These drawings indicate the location of safety labels on the machine. If at any time the labels become illegible, promptly replace them.

Label Warning
86244300
PRV # 500955



WARNING!
FOR YOUR PROTECTION USE A
GROUND FAULT CIRCUIT INTERRUPTER

Label Circuit Interrupter
86200570
PRV # 170-41

Grounding Instructions

THIS PRODUCT IS FOR COMMERCIAL USE ONLY.

ELECTRICAL:

In the USA this machine operates on a standard 15 amp 115V, 60 hz, A.C. power circuit. The amp, hertz, and voltage are listed on the data label found on each machine. Using voltages above or below those indicated on the data label will cause serious damage to the motors.

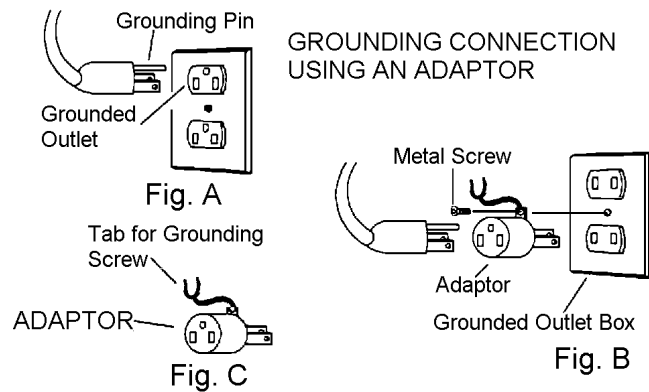
EXTENSION CORDS:

If an extension cord is used, the wire size must be at least one size larger than the power cord on the machine, and must be limited to 50 feet (15.5m) in length.

GROUNDING INSTRUCTIONS:

This appliance must be grounded. If it should malfunction or break down, grounding provides a path of least resistance for electric current to reduce the risk of electric shock. This appliance is equipped with a cord having an equipment-grounding conductor and grounding plug. The plug must be inserted into an appropriate outlet that is properly installed and grounded in accordance with all local codes and ordinances.

This appliance is for use on a nominal 120-volt circuit, and has a grounded plug that looks like the plug in "Fig. A". A temporary adaptor that looks like the adaptor in "Fig. C" may be used to connect this plug to a 2-pole receptacle as shown in "Fig. B", if a properly grounded outlet is not available. The temporary adaptor should be used only until a properly grounded outlet (Fig. A) can be installed by a qualified electrician. The green colored rigid ear, lug, or wire extending from the adaptor must be connected to a permanent ground such as a properly grounded outlet box cover. Whenever the adaptor is used, it must be held in place by a metal screw.



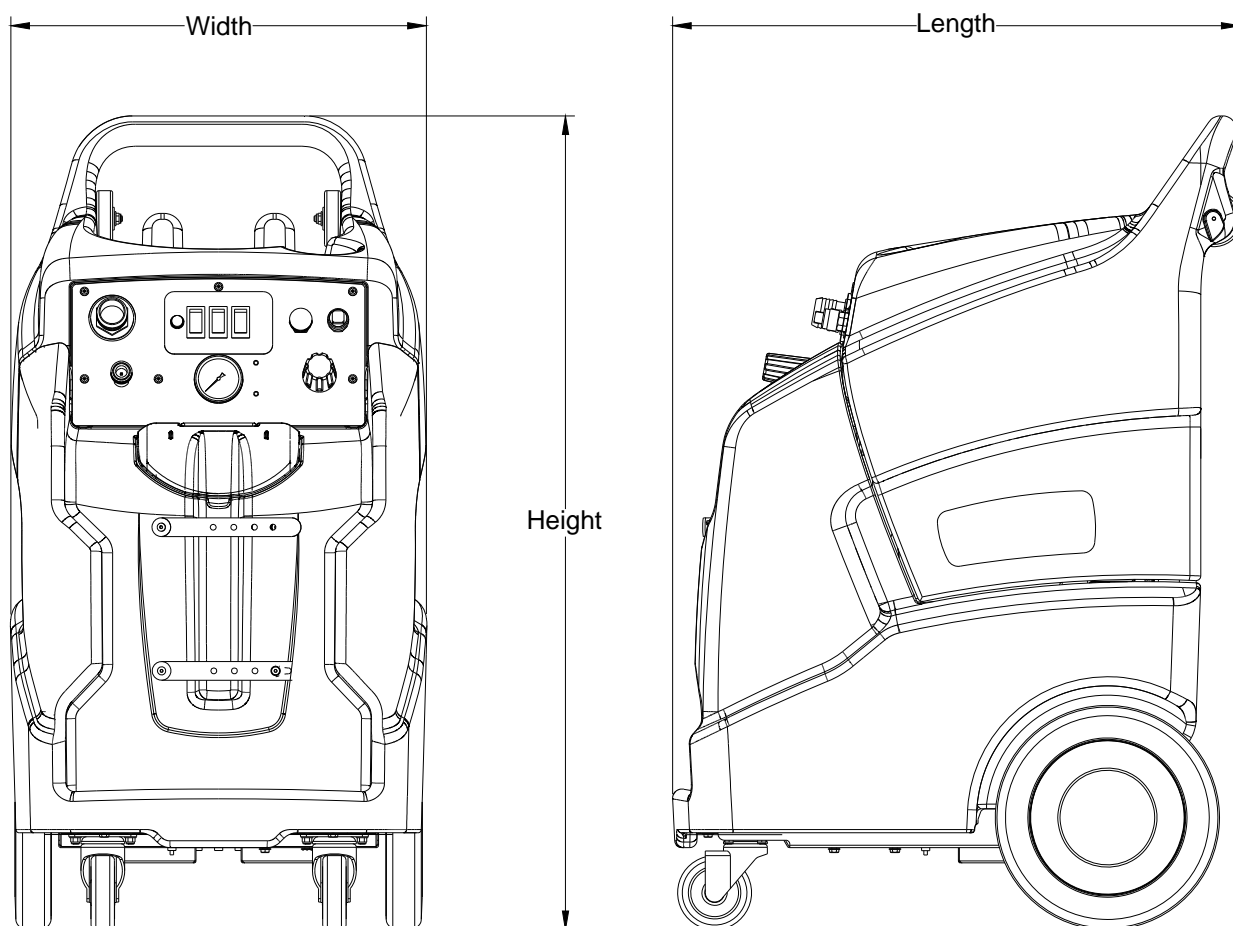
Note: Adaptors are not allowed in Canada.

⚠ WARNING:

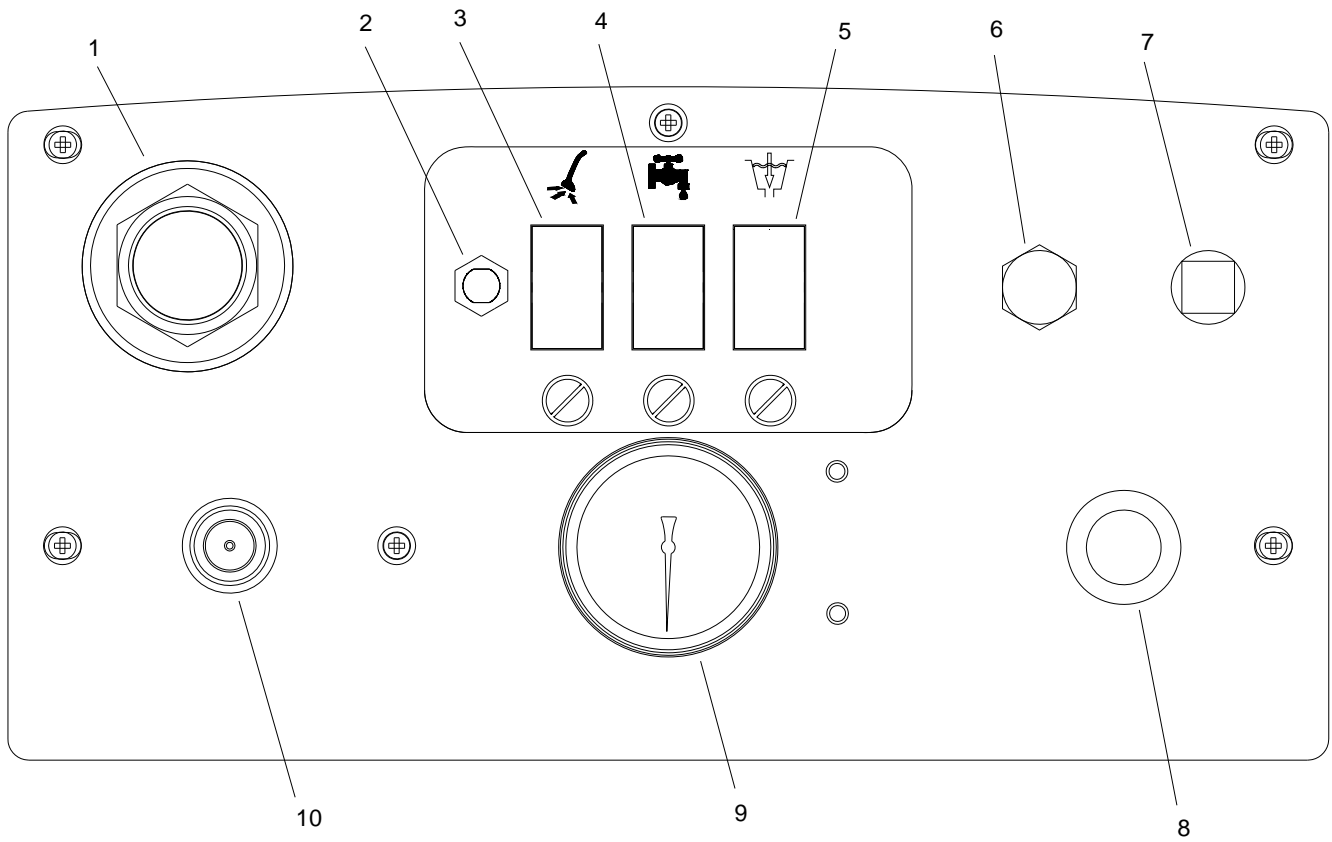
Improper connection of the equipment-grounding conductor can result in a risk of electric shock. Check with a qualified electrician or service person if you are in doubt as to whether the outlet is properly grounded. Do not modify the plug provided with the appliance - if it will not fit the outlet, have a proper outlet installed by a qualified electrician.

Technical Specifications

MODEL	ITEM	MEASURE
10070700	Electrical	115 Volt, 60 hz, 15A
	Solution Pump	1200 psi
	Pump-Out Pump	5.0 GPM Diaphragm
	Solution Capacity	13 Gal
	Recovery Capacity	11 Gal
	Height	43 inches
	Length	30 inches
	Width	22 inches
	Vacuum Motor	Single 3 Stage
	Weight- Empty	151 lbs
	Weight-Full Solution	275 lbs
	Power cord	2 X 25 feet



Controls



- 1. Vacuum Accessory Tool Hook-up
- 2. Breaker for Vacuum
- 3. Vacuum Switch
- 4. Solution Pump Switch
- 5. Pump-Out Switch

- 6. Pump-Out Fitting
- 7. Solution Auto-Fill Fitting
- 8. Adjustable Unloader Valve
- 9. Pressure Gauge
- 10. Solution Accessory Tool Hook-up

Machine Operation

⚠️ WARNING:

Care must be exercised in the use of all chemicals. Chemicals are poisonous and can pose a health risk. Read and follow manufacturers instructions regarding dangers and correct usages.

⚠️ CAUTION:

The internal parts of the pump used in the machine are suitable for use with most floor cleaning chemicals. But they are susceptible to chemical attack from some cleaning substances, such as hydrocarbon solvents and chlorinated bleaches.

Chemicals

Suitable Chemicals

- Alkalis
- Detergents
- Hydroxides
- Soaps
- Vinegar

Non-Compatible

- Aldehydes
- Aromatics Hydrocarbons
- SP Butyls
- Carbon Tetrachloride
- Clorox*
- Chlorinated Bleaches
- Chlorinated Hydrocarbons
- Lysol*
- Methyl Ethel Ketone (MEK)
- Perchorethylene (perc)
- Phenolics
- Trichlorethylene
- D-Limonene

*Registered Trademark

Only use chemicals approved for use with this machine. Use of non-compatible chemicals may cause machine damage and will not be covered under the warranty. Carefully read ingredients on manufacturer's label before using any product in this machine.

⚠️ WARNING:

Do not let machine run unattended.

Solution Pump

The solution pressure is adjustable by turning the unloader valve on the control panel.

⚠️ WARNING:

Do not let pump run dry.

Auto-Fill

When a water supply is connected to the auto fill fitting the solution tank will fill to a preset level. The auto-fill float in the solution tank will maintain this water level during operation.

Auto Pump-Out

The auto pump-out system uses a run-dry diaphragm pump. The pump will run whenever the pump-out switch is turned on. The primary strainer is located in the recovery tank. A secondary strainer is attached to the pump head to protect the pump from a damaged or improperly installed primary strainer.

⚠️ WARNING:

Do not turn on auto pump-out with cap attached to the pump-out fitting. Pump-out system damage may occur from excessive pressure.

Operations

Pre-Run Inspection

1. Check all fittings and connectors for proper assembly.
2. Check all hoses for leaks. Repair or replace any damaged hoses.
3. Check power cord(s) for any damage. If damaged, replace.

Equipment Set-up

1. Plug power cords from machine into properly grounded wall outlet. Power cords must be on separate circuits.
2. Connect fresh water supply hose to auto-fill fitting on control panel. Turn on water to supply hose. The solution tank will fill to float level.
3. Connect pump-out hose to pump-out fitting on control panel. Place opposite end of pump-out hose in an appropriate drain area.
4. Connect vacuum hose to machine. Slide the swivel cuff over the outlet on the tank.
5. Connect the hose to your machine and wand. Pull back the knurled collar on the quick disconnect coupler and push onto the connection on the chassis. To avoid leaks, check to be that a positive connection was made.
6. Turn solution pump, vacuum, and pump-out switches to the on position.

Cleaning

1. Prior to cleaning, make certain that the floor tool is functioning properly.
2. When cleaning, keep the floor tool flat on the surface being cleaned.
3. The float shutoff inside the recovery tank will impede the vacuum flow when the vacuum tank is full. If this occurs, disconnect power from machine, drain recovery tank, and clean pump-out strainer.

NOTE: *When using a powder cleaner, pre-mix with hot water in a clean container before adding to the solution tank.*

Periodic Maintenance

Twice a month, flush a white vinegar solution (one quart vinegar to two gallons of water) or anti-browning solution (mixed as directed) through the machine. This will prevent build-up of alkaline residue in the system.

Periodically inspect all hoses, electrical cables and connections on your machine. Frayed or cracked hoses should be repaired or replaced to eliminate vacuum or solution pressure loss. The electrical cable must be well insulated and cable connector screw kept tight. If the cable insulation is broken or frayed, repair or replace immediately. Don't take chances with electrical fire or shock.

Daily/Regular Maintenance



Before making any repairs or adjustments to the machine, disconnect the power cords from the electrical source.

1. Empty unused cleaning solution from the solution tank.
2. Inspect and clean filter screen in solution tank.
3. Inspect and clean pump-out strainer in recovery tank.
4. Flush pumping system with 1 to 2 gallons of clean water.
5. After each use, rinse tank with fresh water. Periodically inspect the recovery tank and decontaminate if necessary, using a Hospital Grade Virucide or a 10-1 bleach to water solution. Waste water should be disposed of properly.

Do not allow machine to freeze.

SERVICE SCHEDULE	DAILY	WEEKLY	QUARTERLY
Check machine for cord damage	*		
Check recovery dome and gasket for damage and cleanliness	*		
Check hoses for wear, blockages, or damage	*		
Check handles, switches, and knobs for damage	*		
Run one gallon of water through solution system	*		
Clean out recovery tank and check float valve to make sure it moves freely	*		
Clean pump-out strainer and run clean water through pump-out system.	*		
Clean out solution tank and remove and clean vacuum intake screen	*		
Clean outside of all tanks and check for damage	*		
Run vac motor for at least one minute to allow motor to dry	*		
Store with dome off tank to allow the tank to dry	*		
Check all gaskets for wear and leakage		*	
Check pump pressure; observe spray pattern and check with gauge if necessary		*	
Check and clean solution screen		*	
Check cables for fraying		*	
Check overall performance of machine		*	
Check vac motor carbon brushes			*

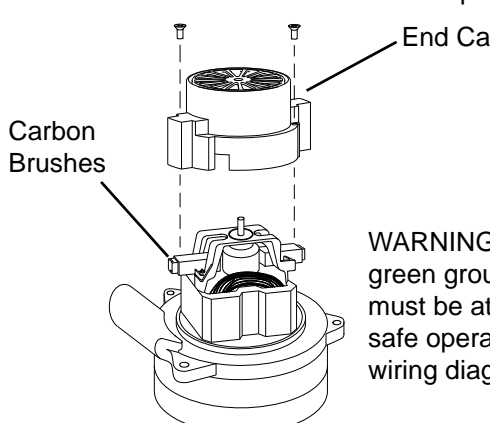
! WARNING:

Only qualified maintenance personnel are to perform the following repairs.

Vacuum Motor Replacement

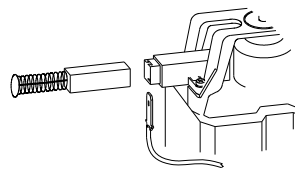
1. Turn off all switches and unplug machine.
2. Remove hardware under front of machine to access component compartment.
3. Remove vacuum motor cover and disconnect motor wires.
4. Remove the vacuum motor.
5. Reverse process to install vacuum motor.

Vacuum Motor Carbon Brushes Replacement



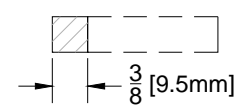
WARNING: The green ground wire must be attached for safe operation. See wiring diagram.

If armature commutator is grooved, extremely pitted or not concentric, the motor will need to be replaced or sent to a qualified service center.



Important:

These brushes wear quicker as the length shortens due to increased heat. Spring inside brush housing will damage motor if brushes are allowed to wear away completely.



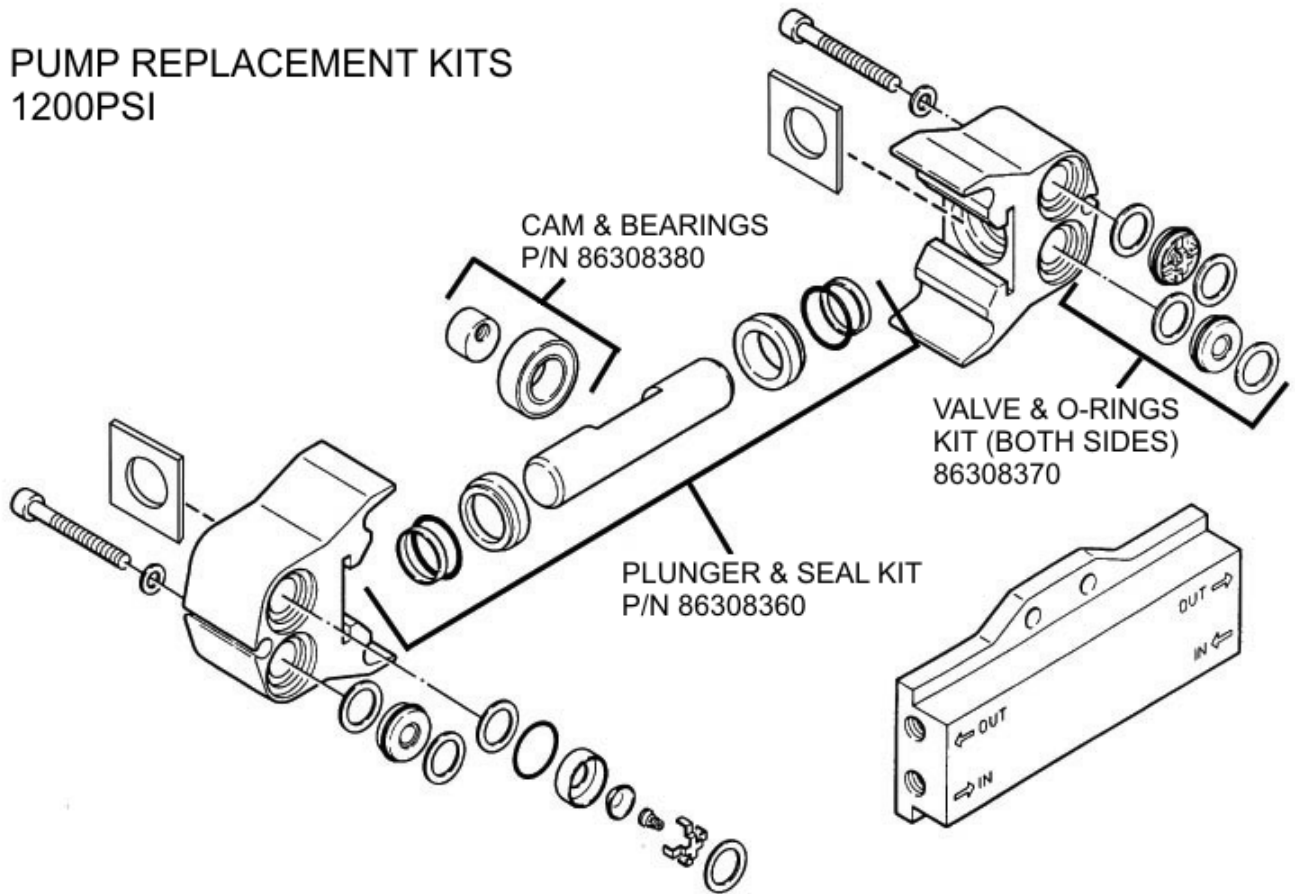
Periodically check the length of the carbon brushes. Replace both carbon brushes when either is less than 3/8" (9.5mm) long.

Solution Pump Replacement

⚠ WARNING:

Only qualified maintenance personnel are to perform the following repairs.

PUMP REPLACEMENT KITS 1200PSI



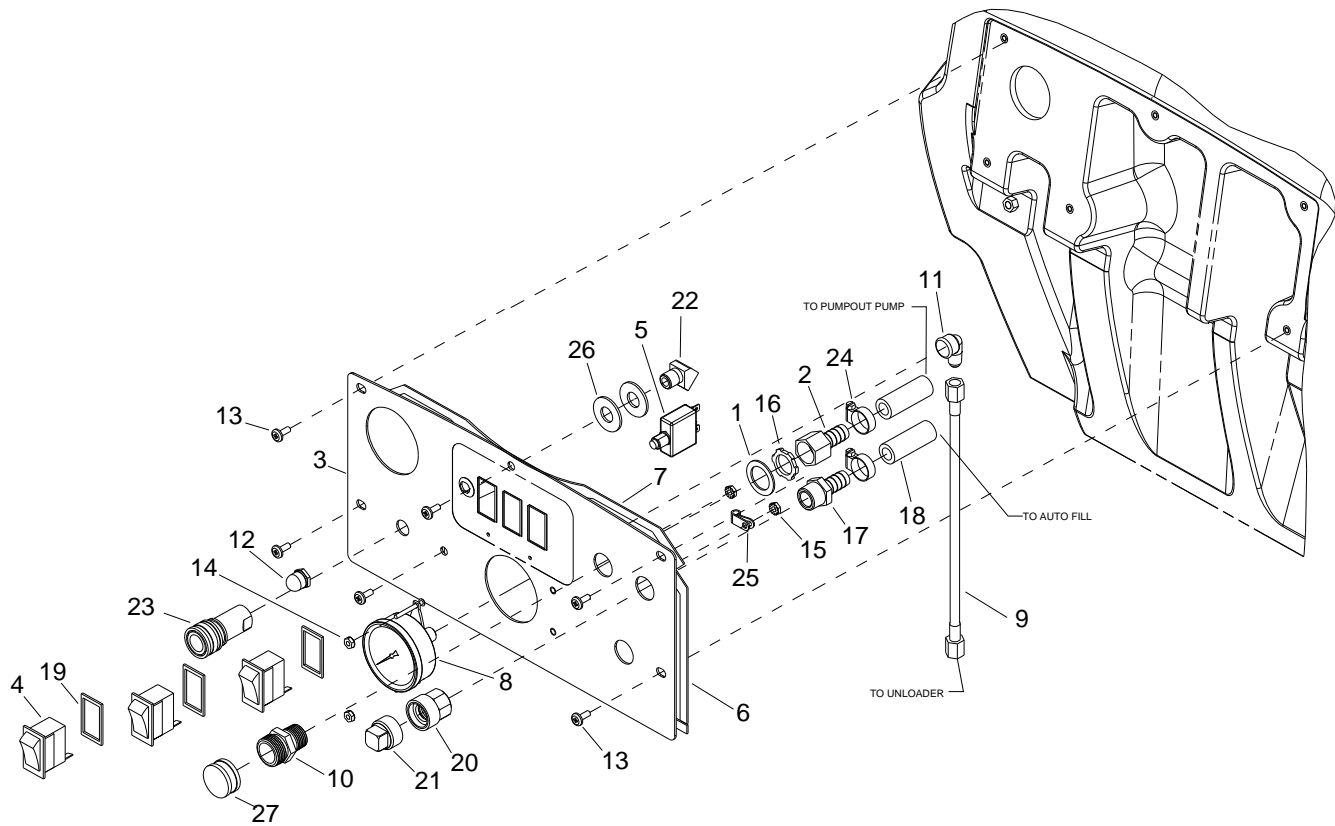
Troubleshooting

PROBLEM	CAUSE	SOLUTION
Loss of Power	Unit not plugged in	Connect unit to 3 prong grounded outlet.
	Dead electrical circuit	Check building circuit breaker or fuse box.
	Faulty power cord	Replace
Electrical shock	Receptacle not grounded	Contact an electrician to check building's wiring
	Internal wiring problem	Have a trained service technician check machine's wiring
Vac motor speed varies or doesn't run	Vacuum circuit breaker tripped	Reset Breaker
	Faulty vacuum motor	Replace
	Faulty switch	Replace
Loss of vacuum	Loose vacuum dome	Center and seal dome over tank
	Crack in dome of poor joint	Replace or repair using acrylic plastic cement only
	Lint or dirt clogging vacuum screen	With power off clean screen
	Loose cuffs on vacuum hose	Tighten cuffs turning counterclockwise
	Vac motor seals leaking	Replace
	Floor tool vac chamber clogged	Wash out with hose. Pick lint out with a wire
	Vacuum hose damaged	Replace
	Recovery tank full / Float ball stuck in the up position	Turn off power, drain recovery tank.
Solution Pump runs no solution	Pump inlet screen plugged	Clean inlet screen
	Pump not primed	Prime pump with priming hose
	Internal or external solution line damaged and leaking	Replace
Solution Pump runs, loss of pressure	Internal pump components wearing out	Replace, see pump kit components
	Check valves in pump head for particles or cuts in seals	Take piston from BPR and lubricate with Super-lube. If problem still exists change BPR kit
Solution Pump will not run	Faulty switch	Replace
	Loose wiring	Repair or replace

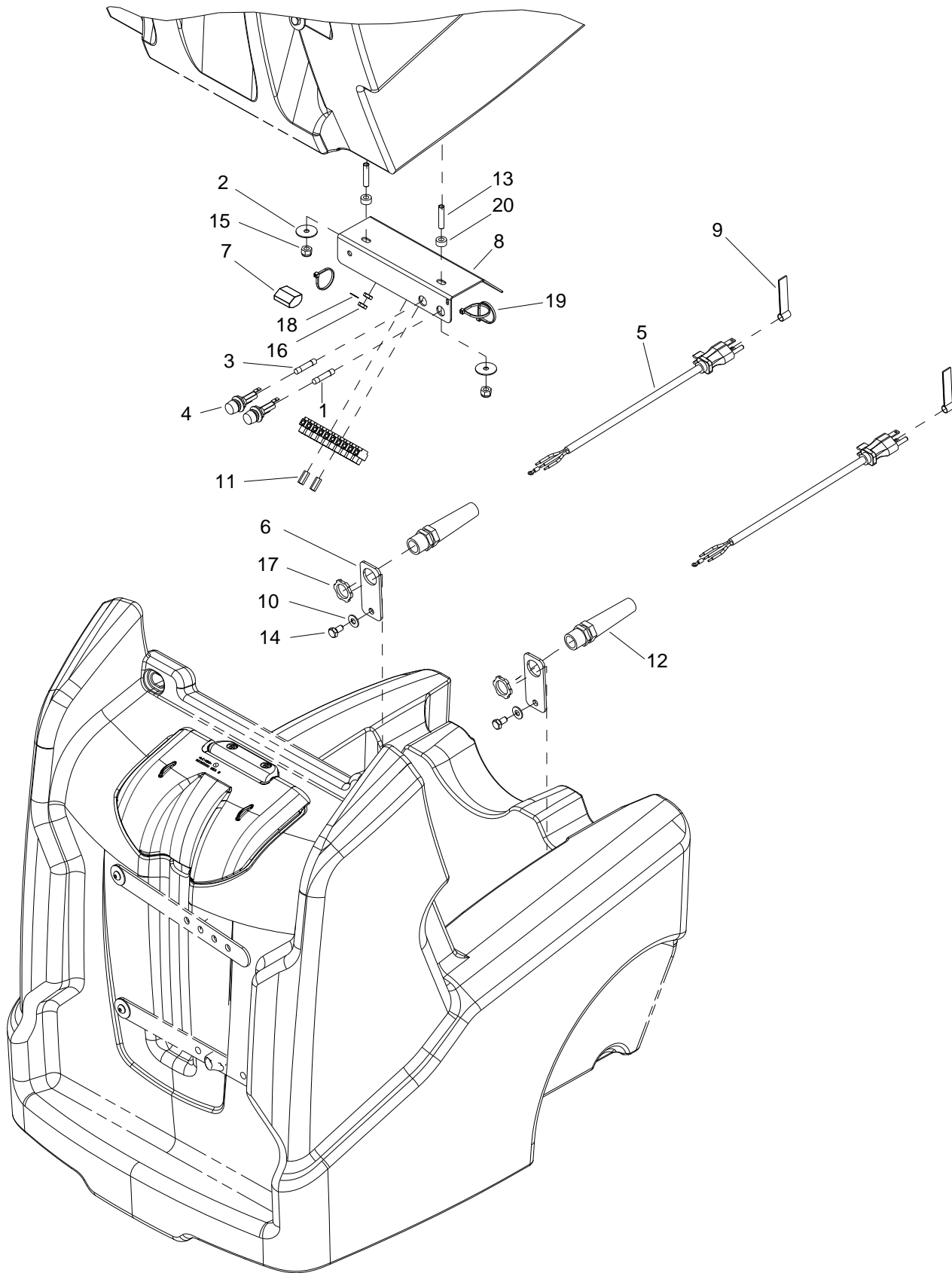
Solution hose fitting hard to connect	Corrosion on fittings.	Clean with steel wool. Soak in acetic acid (white vinegar). Lubricate lightly with silicone base lubricant.
Carpet not getting clean	Severe soil conditions	Make several passes at right angles to each other. Use a pre-spray.
Carpet too wet	Over saturation	Adjust solution pressure to lower settings. Make several passes without spray
Carpet browning	Leaving carpet too wet	Check for loss of vac pressure
	Too much chemical	Check label for correct solution concentration
Solution not flowing properly	Solution hose connection	Check for positive connection
	Faulty pump	Repair or replace
	Faulty floor tool valve / Nozzle	Repair or replace
	Faulty pump switch	Repair
Auto-fill does not control water level	Faulty Auto-fill float	Replace float
Pump-out system has no flow	Faulty Pump-out switch	Replace Pump-out switch
	Faulty Pump-out pump	Replace Pump-out pump
	Blown fuse	Replace fuse
Pump-out system has low flow	Clogged primary strainer	Clean primary strainer
	Clogged secondary strainer	Clean secondary strainer

Notes:

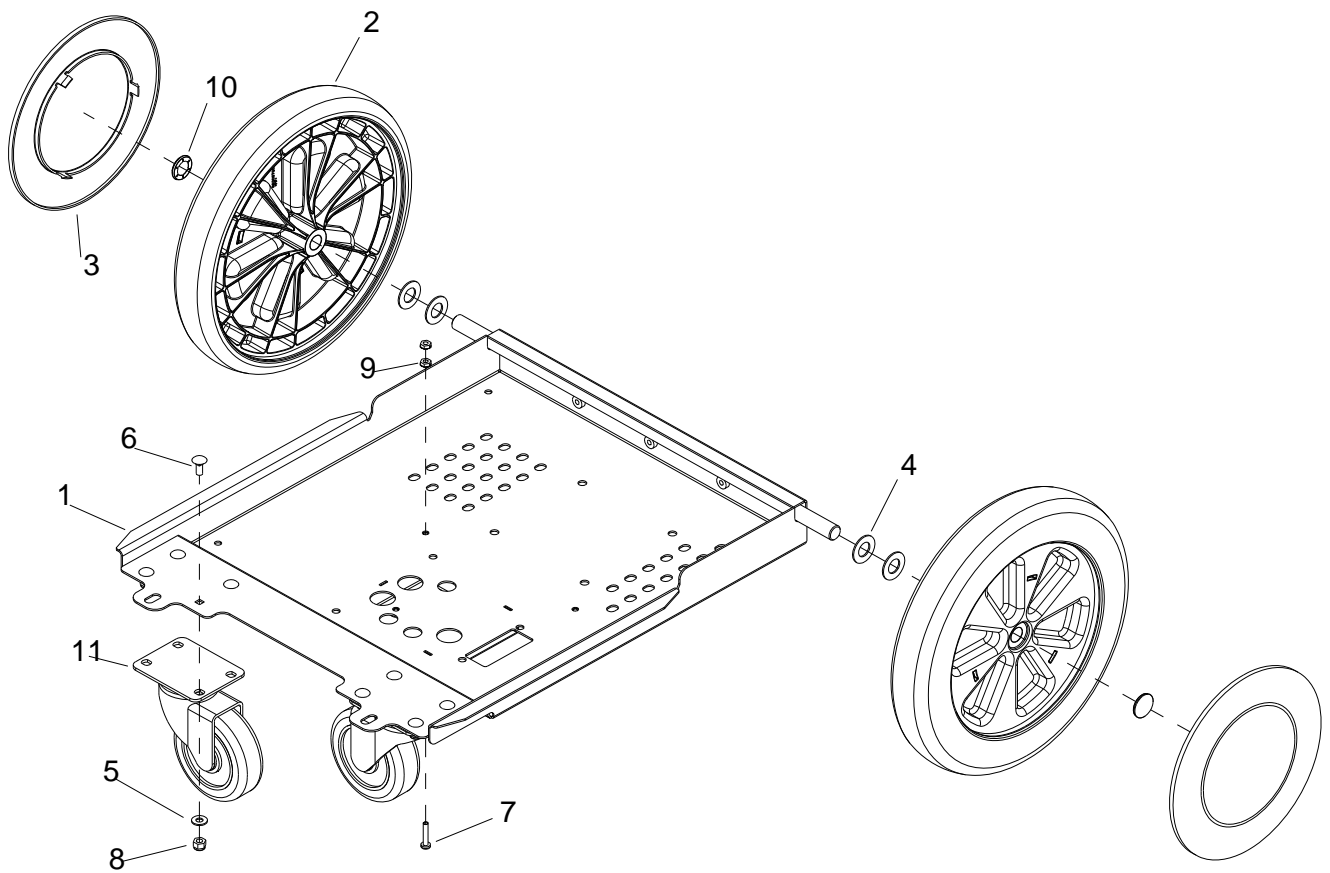
PARTS



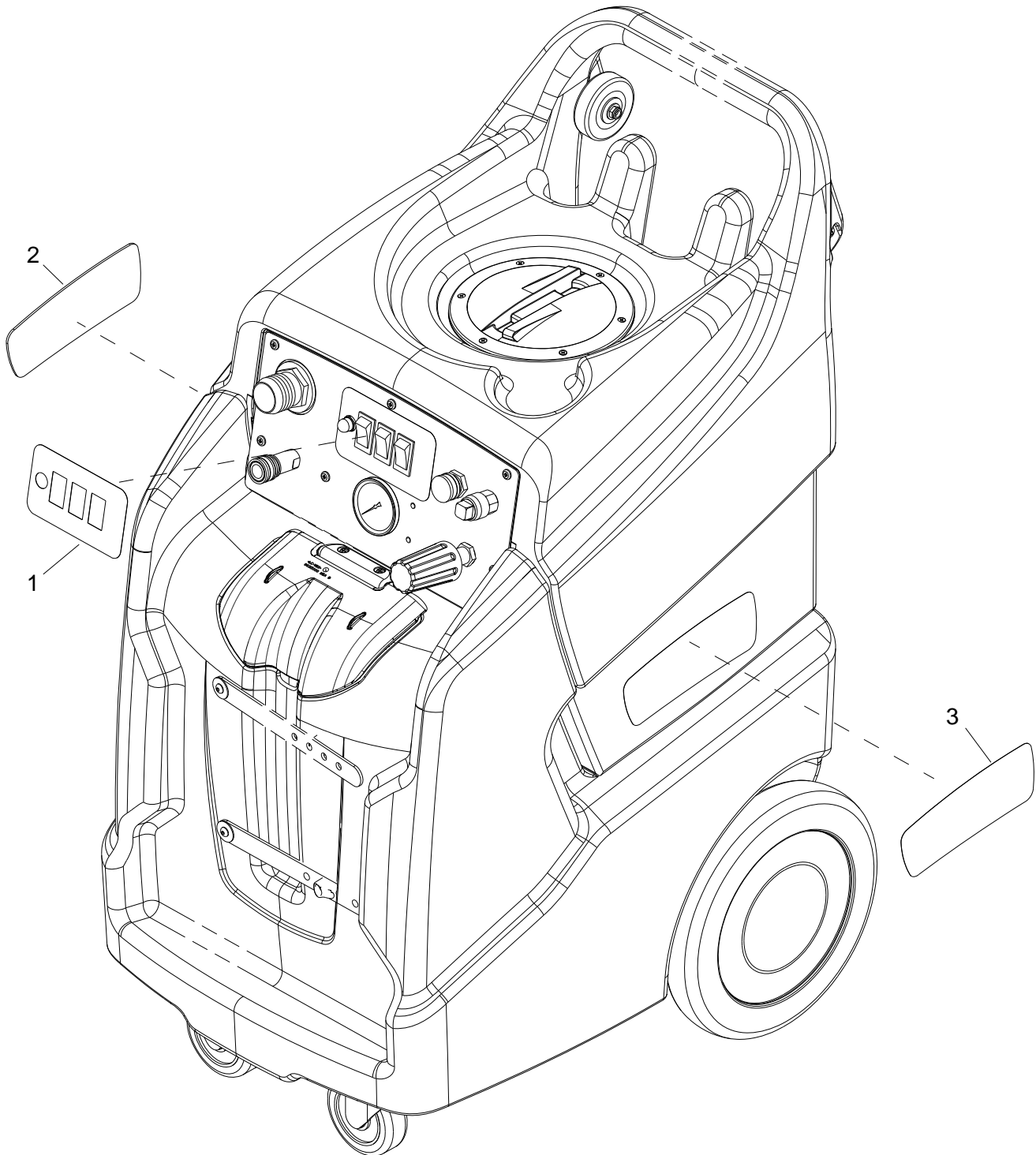
REF	PART NO.	PRV NO.	QTY	DESCRIPTION	SERIAL NO. FROM	NOTES
1	86327130	-	1	WASHER, .88IDX1.28ODX.062THK NYL		
2	86327080	-	1	HOSEBARB, 1/2 FPT X 1/2 BR		
3	86326690	-	1	PANEL, CONTROL, 1200		
4	86326660	-	3	SWITCH, SPST 2-POS ROCKER 20A		
5	86318320	-	1	BREAKER, 13A, 250VAC, 32VDC		
6	86313030	-	4	GASKET, .125 T X .25 W X 7.2		
7	86313020	-	2	GASKET, .125 T X .25 W X 15.6		
8	86308170	-	1	GAUGE, 2000 PSI		
9	86184590	-	1	HOSE, 3/16 X 25-1/2"		
10	86173530	790506	1	ADAPTER, HOSE 1/2M X 3/4MGT		
11	86180350	12-800035	1	ELL, 1/4FP X 1/4T BR		
12	86008900	80845	1	BOOT, SEAL PUSH BUTTON 7/16		
13	86276820	70740	6	SCR, 10-32 X 1/2 PTHMS BLK NP		
14	86005720	57106	2	NUT, 8-32 W/STAR WASHER PLTD		
15	86005700	57104	2	NUT, 10-32 HEX W/STAR		
16	86005670	57040	1	NUT, 1/2 NPT CONDUIT		
17	86197910	40022	1	HOSEBARB, 1/2MPT X 1/2 POLY DL		
18	86281950	39541	2	HOSE, 1/2ID WIRE BOUND X 32"		
19	86238030	36235	3	GASKET, SWITCH CARLING		
20	86197490	34420	1	FITTING, GARDEN HOSE FX1/2FPT		
21	86197480	34419	1	FITTING, MALE PLUG GARDEN HOSE		
22	86197390	31021	1	ELBOW, 1/4NPT 45D STREET		
23	86002450	22015	1	COUPLER, 1/4 QD		
24	86233150	20042	2	CLAMP, 3/8 WORM GEAR		
25	86002370	20035	1	CLAMP, 7/16 NYLON		
26	86202230	390-09A	2	WASHER 9/16 S/S USS THICK		
27	86176420	12-800052	1	CAP, HOS 3/4 BR		



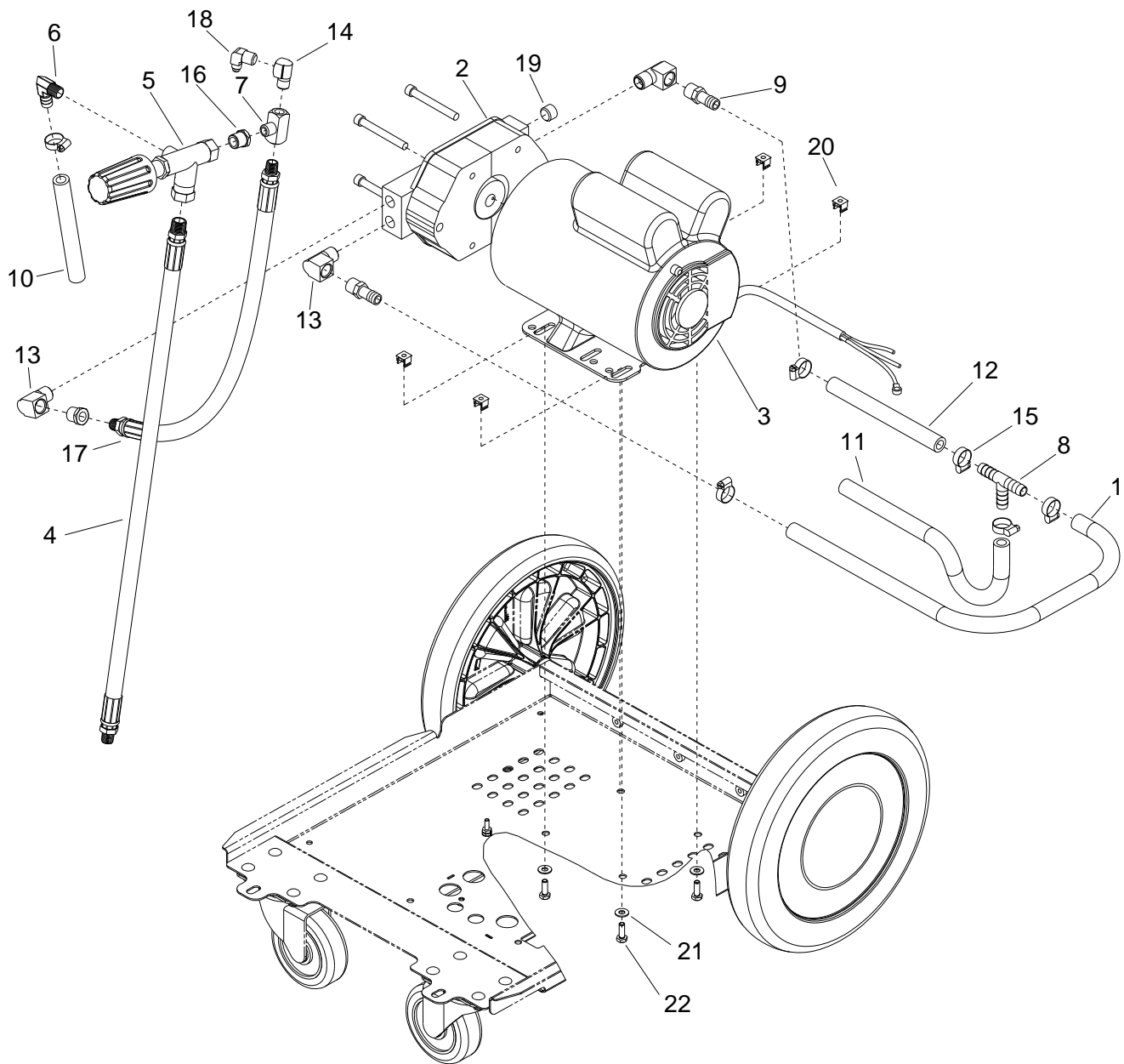
REF	PART NO.	PRV NO.	QTY	DESCRIPTION	SERIAL NO. FROM	NOTES
1	86326890	-	1	FUSE, 1/4" X 1-1/4", 20A		
2	86323330	-	2	WASHER, 1/4 ID X 1.0 OD FLAT, BLK		
3	86319110	-	1	FUSE, 1/4" X 1 1/4", 4A		
4	86319090	-	2	FUSE HOLDER, PANEL MNT		
5	86318620	-	2	CORD ASM, 14/3 SJT X 25' BLK		
6	86316700	-	2	BRKT, CORD STRAIN RELIEF		
7	86316540	-	1	CONNECTOR, 5 POS, PUSH WIRE		
8	86316460	-	1	BRKT, ELECTRICAL		
9	86200570	-	2	LABEL CIRCUIT INTERRUPTER		
10	86010630	87013	2	WASHER, 1/4 X 5/8 FLAT SS		
11	86255900	73538	2	STANDOFF, 6-32 X 5/8 HEX NYL		
12	86256200	73200	2	STRAIN RELIEF, 1/2 NPT FLEX		
13	86006850	70393	2	SCR, 1/4-20 X 1.25 SSSCU		
14	86273830	70020	2	SCR, 1/4-20 X 1/2 HHCS SS		
15	86005810	57245	2	NUT, 1/4-20 HEX NYLOCK SS		
16	86005700	57104	2	NUT, 10-32 HEX W/STAR		
17	86005670	57040	2	NUT, 1/2 NPT CONDUIT		
18	86245040	50279	1	LABEL, GROUND SYMBOL		
19	86264930	27050	4	CABLE TIE, 3.5" UL/CSA		
20	86201510	390-26	2	SPACER NYLON 1/4ID X 1/2 OD		



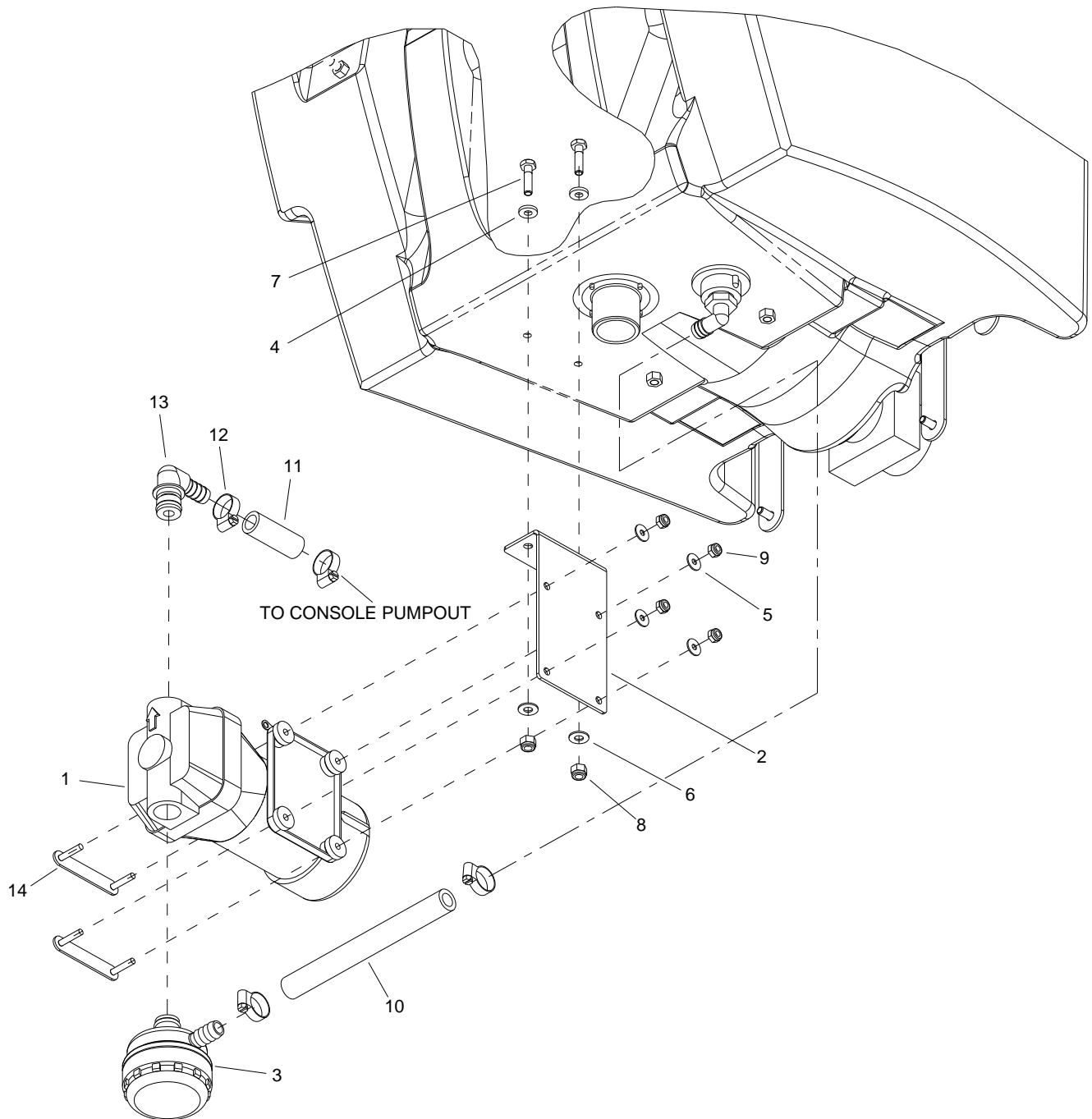
REF	PART NO.	PRV NO.	QTY	DESCRIPTION	SERIAL NO. FROM	NOTES
1	86319830	-	1	FRAME, 5/8" AXLE, SINGLE VAC		
2	86309790	-	2	WHEEL, 12" X 2.25"		
3	86300070	-	2	HUBCAP, 9.75" WHEEL		
4	86010730	87088	4	WASHER, 5/8 X 1-3/16 FLAT SS		
5	86010630	87013	8	WASHER, 1/4 X 5/8 FLAT SS		
6	86277500	70853	8	SCR, 1/4-20 X 5/8 CARRIAGE SS		
7	86276080	70595	1	SCR, 10-32 X 1" PPHMS GRN		
8	86005810	57245	8	NUT, 1/4-20 HEX NYLOCK SS		
9	86005700	57104	2	NUT, 10-32 HEX W/STAR		
10	86001660	41236	2	HUBCAP, 5/8 SHAFT		
11	86199430	040-03	2	CASTER, SWIVEL 4" 250# CPCTY		



REF	PART NO.	PRV NO.	QTY	DESCRIPTION	SERIAL NO. FROM	NOTES
1	86324100	-	1	LABEL, NINJA WARRIOR, 1200		
2	86318270	-	1	LABEL, NINJA, WARRIOR, RH		
3	86318260	-	1	LABEL, NINJA, WARRIOR, LH		

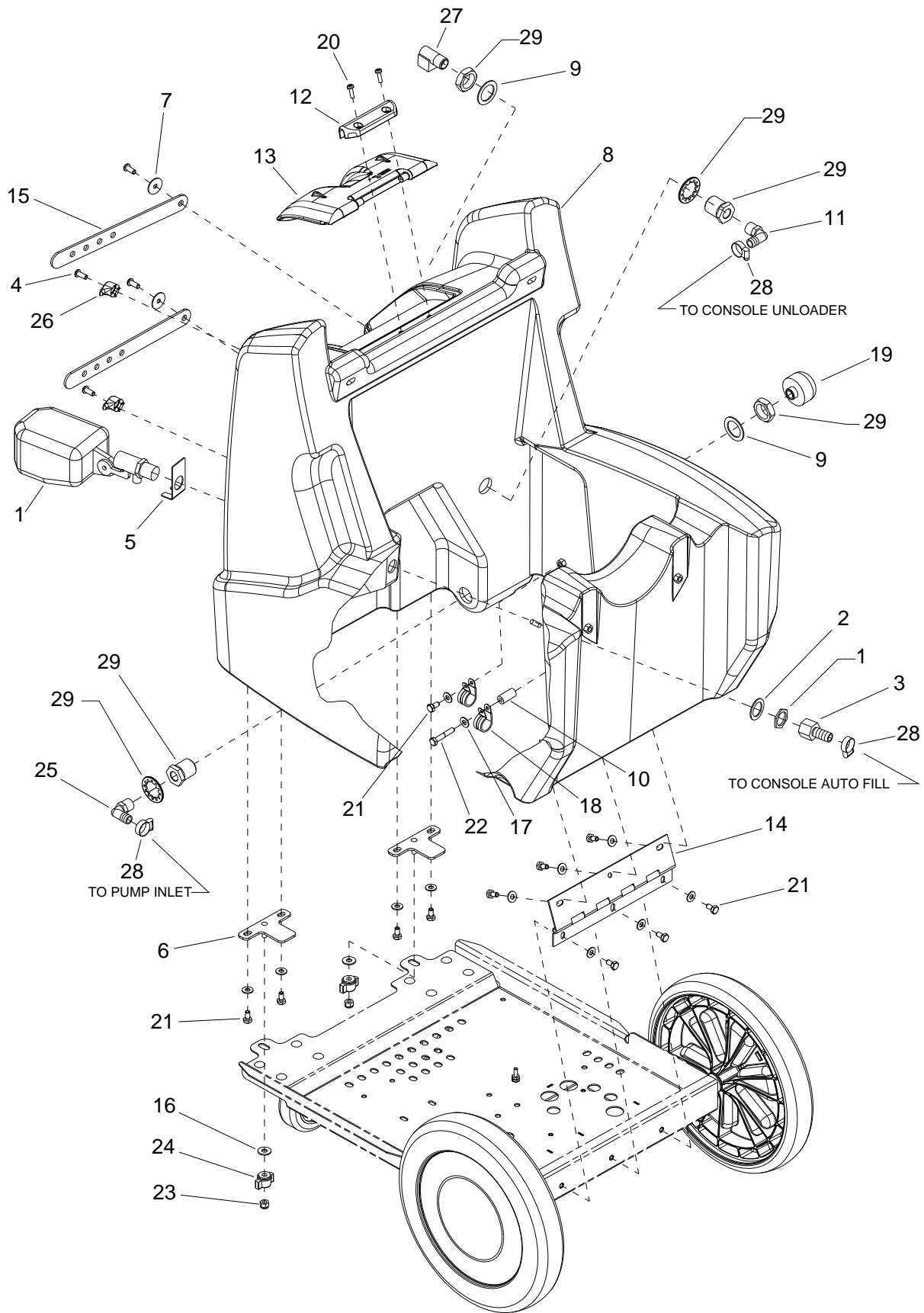


REF	PART NO.	PRV NO.	QTY	DESCRIPTION	SERIAL NO. FROM	NOTES
1	86326100	-	1	HOSE, 1/2ID WIRE BOUND X 19"		
2	86321710	-	1	PUMP HEAD, 1200PSI		
3	86321700	-	1	PUMP MOTOR, 1200PSI, 120V		
4	86308220	-	1	HOSE,PULSE 27.0 3/8MPTX1/4MPT		
5	86308190	-	1	UNLOADER, 1200 PSI, W/ KNOB		
6	86197600	40033	1	HOSEBARB, 1/4MPT X 3/8 90D DL		
7	86197730	78024	1	TEE, 1/4 BRANCH		
8	86240410	40078	1	HOSEBARB, 1/2 TEE		
9	86197540	40013	2	HOSEBARB, 3/8MPT X 1/2HOSE		
10	86321470	-	1	HOSE, 3/8 ID WIRE BOUND X 26"		
11	86281950	39541	1	HOSE, 1/2ID WIRE BOUND X 32"		
12	86281000	39241	1	HOSE, 1/2ID WIRE BOUND X 9"		
13	86197420	31026	3	ELBOW, 3/8NPT STREET		
14	86197360	31016	1	ELBOW, 1/4 NPT STREET		
15	86233150	20042	6	CLAMP, 3/8 WORM GEAR		
16	86197290	14076	2	BUSHING, 3/8 MPT X 1/4 FPT HEX		
17	86200260	151-50C	1	HOSE,PULSE 47.0 1/4MPTX1/4MPT		
18	86180340	12-800031	1	ELL, 1/4P X 1/4T BR		
19	86190520	11-800224	1	PLUG, 3/8 SOCHD BR		
-	86313060	-	1	PUMP ASM, 1200, 120V		INCLUDES 1-19
20	86271110	57123	4	NUT, 1/4-20 CAPTIVE (.074W)		
21	86010630	87013	4	WASHER, 1/4 X 5/8 FLAT SS		
22	86273780	70015	4	SCR, 1/4-20 X 3/4 HHCS SS		

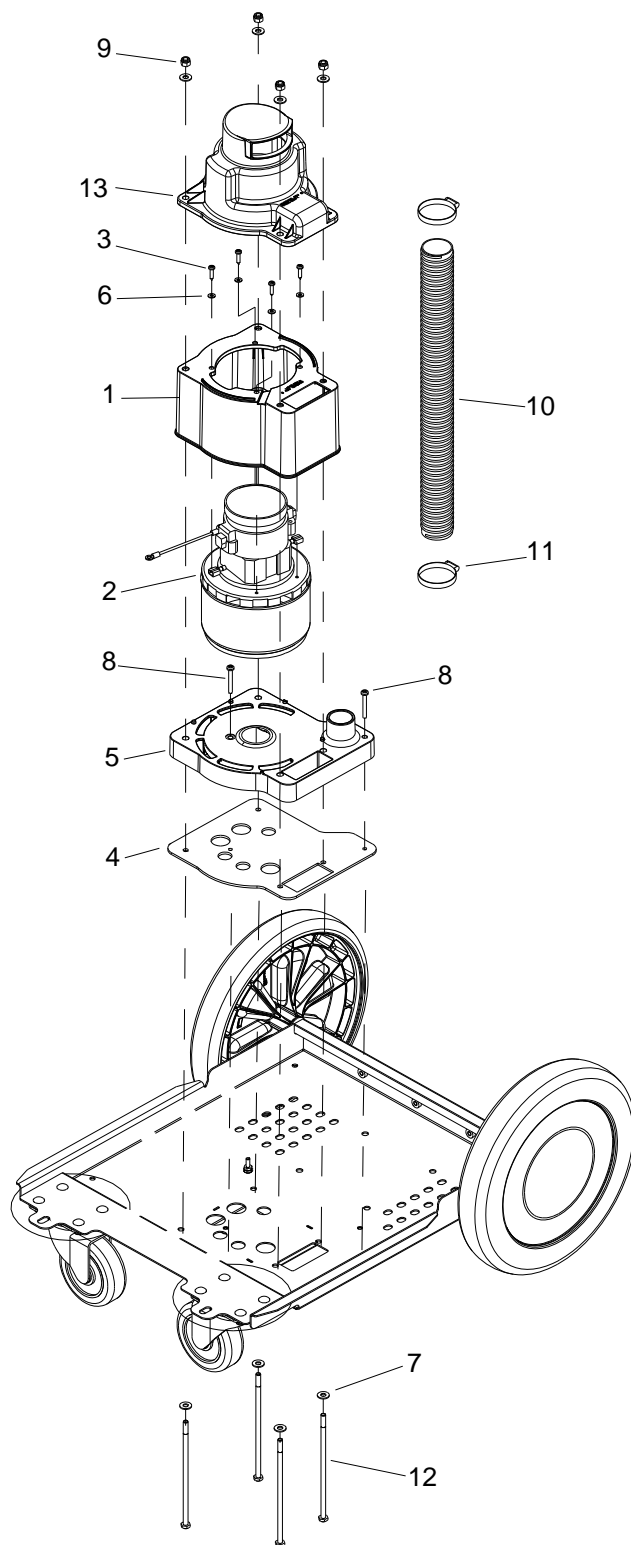


REF	PART NO.	PRV NO.	QTY	DESCRIPTION	SERIAL NO. FROM	NOTES
1	86327640	-	1	PUMP ASM, PUMPOUT		
2	86329400	-	1	BRKT, PUMP, MOUNTING		
3	86325390	-	1	STRAINER, 20 MESH, FLOJET		
4	86279610	-	2	WASHER, SEAL 1/4X5/8OD SS		
5	86010650	87018	4	WASHER, #10 X 9/16 FLAT		
6	86010630	87013	2	WASHER, 1/4 X 5/8 FLAT SS		
7	86273810	70018	2	SCR, 1/4-20 X 1.00 HHCS SS		
8	86005810	57245	2	NUT, 1/4-20 HEX NYLOCK SS		
9	86270990	57090	4	NUT, 10-32 HEX NYLOCK SS		
10	86329430	-	1	HOSE, 1/2ID WIRE BOUND X 11"		
11	86281950	39541	1	HOSE, 1/2ID WIRE BOUND X 32"		
12	86233150	20042	4	CLAMP, 3/8 WORM GEAR		
13	86325400	-	1	ELL, 5/8 SLIP X 1/2 HOSEBARB		
14	86329410	-	2	BRKT, PUMPOUT, RETAINER		

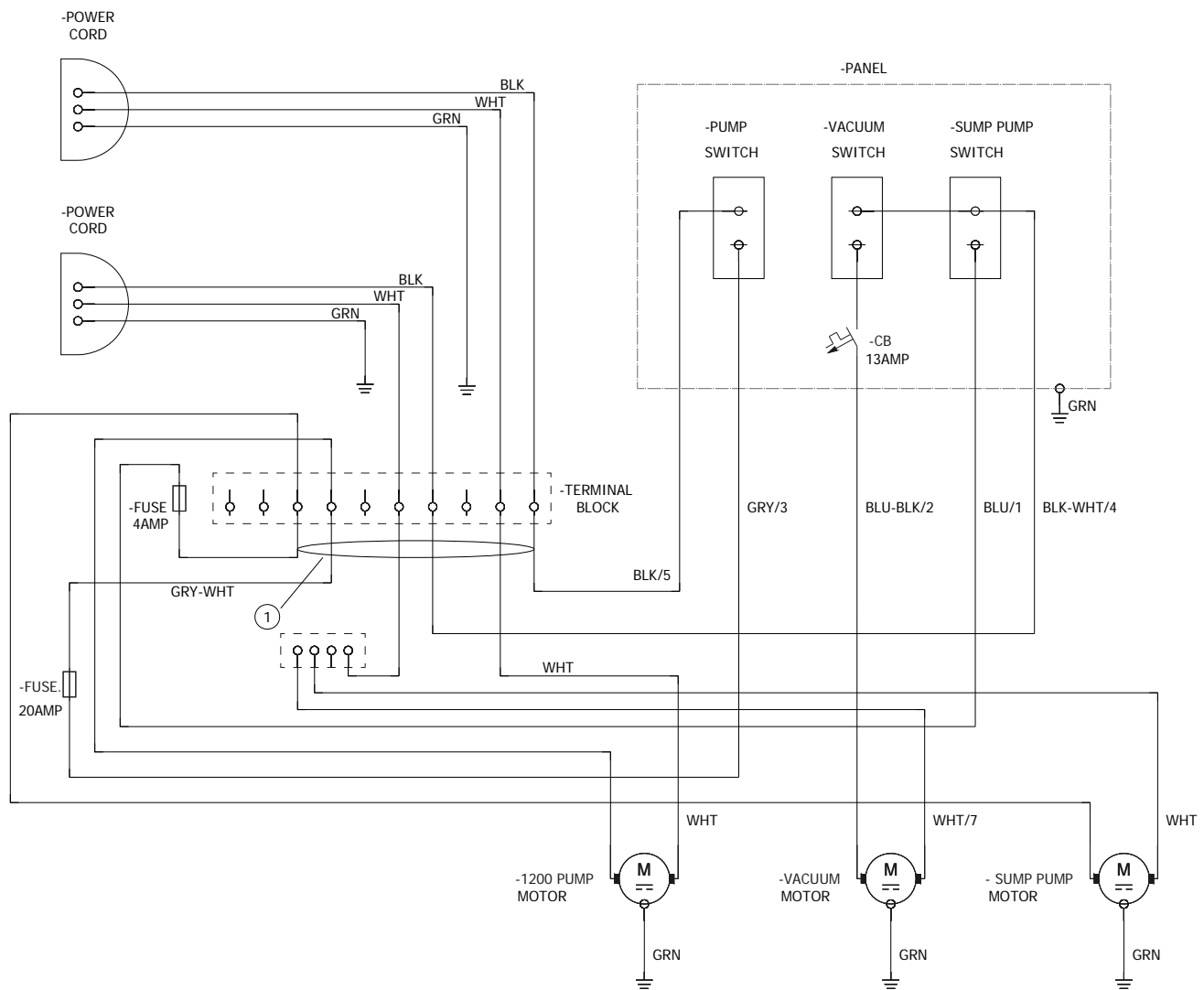
REF	PART NO.	PRV NO.	QTY	DESCRIPTION	SERIAL NO. FROM	NOTES
1	86325590	-	1	STRAINER, 30 MESH, 3/4F		
2	86323330	-	2	WASHER, 1/4 ID X 1.0 OD FLAT, BLK		
3	86321720	-	1	PIPE ASM, 1.5", VACUUM		
4	86321160	-	1	TANK, REC, TRIM, AD		
5	86317720	-	2	SCR, 5/16-18 X 2.50 BSHCS SS		
6	86317230	-	1	HOSEBARB, 1.5MPT X 1.5 W/FLNG		
7	86316710	-	2	BRKT, CORD, MOUNT		
8	86001350	140390	2	BUSHING, SPANNER .435 X 1.10		
9	86011020	89202	2	WHEEL, 3" DIA. CUSHION RUBBER		
10	86010670	87029	6	WASHER, 5/16 X 3/4 SS		
11	86010630	87013	4	WASHER, 1/4 X 5/8 FLAT SS		
12	86236860	82362	1	FTG, NIPPLE REDUCER 3/4" X1/2		
13	86275800	70546	6	SCR, 8 X 3/4 PFHT/S BLK ZINC		
14	86273750	70011	4	SCR, 1/4-20 X 5/8 HHCS SS		
15	86273740	70010	2	SCR, 1/4-20 X 1.50 HHCS SS		
16	86197040	57264	2	NUT, 5/16-18 HEX ACORN PLTD		
17	86001530	40039	1	HOSEBARB, 1/2MPT X 1/2 HOSE 90		
18	86004000	35255	1	GASKET, TANK LID		
19	86197820	31002	1	ELBOW, 1.5 FPT X FS PVC		
20	86002380	20046	1	CLAMP, 2.25 WORM GEAR		
21	86227120	4095	1	ADAPTER, FLOAT 30 DEG		
22	86002620	260-64A	1	ACCESS, COVER CLEAR 6" W/RIM		
23	86199840	090-12A	1	FLOAT SCREEN CAGE ASSY (SLIP)		
24	86161460	15-808123	1	DUMP VALVE, 1 1/2"		



REF	PART NO.	PRV NO.	QTY	DESCRIPTION	SERIAL NO. FROM	NOTES
1	87100370	-	1	FLOAT VALVE, BR END, 142PSI		2 COMPONENTS
2	86327130	-	1	WASHER, .88ID X 1.28OD X .062THK NYL		
3	86327090	-	1	HOSEBARB, 1/2F STR X 1/2 BR		
4	86324210	-	4	SCR, 1/4-20 X 5/8 BHCS BLK		
5	86324200	-	1	BRKT, LOCKING, AUTO FILL		
6	86324030	-	2	BRKT, MOUNTING, SOLUTION		
7	86323330	-	2	WASHER, 1/4 ID X 1.0 OD FLAT, BLK		
8	86321150	-	1	TANK, SOL, TRIM, AF		
9	86318790	-	2	WASHER, 1.032ID X 1.5OD X .062THK		
10	86317560	-	1	SPACER, .50 ODX .25 ID X 1.0L		
11	86197600	40033	1	HOSEBARB, 1/4MPT X 3/8 90D DL		
12	86312010	-	1	LID, SOLUTION, HINGE BRKT		
13	86312000	-	1	LID, SOLUTION, COVER		
14	86311990	-	1	HINGE, 9.5" LG X .074 THK		
15	86297620	-	2	STRAP, HAND TOOL		
16	86010670	87029	2	WASHER, 5/16 X 3/4 SS		
17	86010630	87013	12	WASHER, 1/4 X 5/8 FLAT SS		
18	86233410	81270	2	CLAMP, 3/4 DIA CUSHION .406 DIA		
19	86007970	73864	1	STRAINER, 3/8 IN. NPT 60 MESH		
20	86276160	70604	2	SCR, 10-32 X 5/8 PPHMS BLK		
21	86273830	70020	11	SCR, 1/4-20 X 1/2 HHCS SS		
22	86273740	70010	1	SCR, 1/4-20 X 1.50 HHCS SS		
23	86005810	57245	2	NUT, 1/4-20 HEX NYLOCK SS		
24	86242130	48100	2	KNOB, 1/4 HEX PRESS-LOC WING		
25	86197940	40027	1	HOSEBARB, 3/8 MPT X 1/2 HOSE 90		
26	86238460	36259	2	HOOK, STRAP		
27	86197420	31026	1	ELBOW, 3/8NPT STREET		
28	86233150	20042	3	CLAMP, 3/8 WORM GEAR		
29	86173640	11-800437	2	ADPT, 3/8 BLKHD		MULTIPLE COMPONENTS



REF	PART NO.	PRV NO.	QTY	DESCRIPTION	SERIAL NO. FROM	NOTES
1	86312120	-	1	BASE, VAC MOTOR, 3-STAGE		
2	86318770	-	1	VAC ASM, 3-STAGE, 120V		
3	86317630	-	4	SCR, #8 X 3/4" PPHSMS TYPE AB		
4	86313810	-	1	GASKET, VAC MANIFOLD, SINGLE		
5	86312340	-	1	MANIFOLD, VACUUM		
6	86278990	87017	4	WASHER, #8 X 3/8 FLAT		
7	86010630	87013	8	WASHER, 1/4 X 5/8 FLAT SS		
8	86274090	70092	2	SCR, 10-32 X 1.5 PPHMS		
9	86005810	57245	4	NUT, 1/4-20 HEX NYLOCK SS		
10	86004300	39492	1	HOSE, VAC, 1.5 ID X 30"L		
11	86002390	20063	2	CLAMP, 1.75" WORM GEAR X .312		
12	86277840	00-000167	4	SCR, 1/4-20 X 6.5 HHCS PLT		
13	86312080	-	1	COVER, VAC MOTOR		
-	86319030	-	1	VAC HOUSING, 3 STAGE		INCLUDES 86312080, 86312120



REF	PART NO.	PRV NO.	QTY	DESCRIPTION	SERIAL NO. FROM	NOTES
1	86324280	-	1	HARNESS, MAIN, DUAL CORD, 1200		

Suggested Spare Parts

PART NO.	PRV NO.	DESCRIPTION	SERIAL NO. FROM	NOTES
86135320	140687	BRUSH SET, 120V VAC		
86199430	040-03	CASTER SWIVEL 4" 250# CAPACITY		
86002620	260-64A	ACCESS COVER CLEAR 6" W/RIM		
86319110	-	FUSE, 1/4" X 1-1/4", 4A		
86318770	-	VAC ASSY 3-STG, 120V		
86007140	72130	SWITCH, SPST 2-POSITION ROCKER		
86309790	-	WHEEL, 12" X 2.25"		
86001660	41236	HUBCAP, 5/8" SHAFT		
86007970	73864	STRAINER 3/8" NPT 60 MESH		
86308380	-	KIT, CAM AND BEARING, 1200		
86308370	-	KIT, VALVE AND SEALS, 1200		
86308360	-	KIT, PLUNGER AND SEAL, 1200		
86326890	-	FUSE, 1/4" X 1-1/4", 20A		

REF. NO.	MODEL: SERIAL #
1	N/A

Notes:
