

REVISED STARTING SERIAL# 1139

PARTS LIST MANUAL

MODEL CPU12-35W



Concrete/Asphalt Scarifier
Part No. 75700



100 Thomas Johnson Drive, Frederick, MD 21702-4600 USA
Phone (301) 663-1600 • 1-800-638-3326
Fax (301) 663-1607 • 1-800-447-3326
Website: www.edcoinc.com • Email: sales@edcoinc.com

Printed in USA
©2000

READ AND UNDERSTAND THE OPERATORS INSTRUCTION MANUAL THOROUGHLY BEFORE ATTEMPTING TO OPERATE THIS EQUIPMENT. Death or serious injury could occur if this machine is used improperly.



SAFETY MESSAGES



The safety instructions are preceded by a graphic alert message of DANGER, WARNING, or CAUTION.



Indicates an imminent hazard which, if not avoided, will result in death or serious injury.



Indicates an imminent hazard which, if not avoided, can result in death or serious injury.



Indicates hazards which, if not avoided, could result in serious injury and or damage to the equipment.

GASOLINE

Powered Equipment



- Do not operate gasoline powered equipment without adequate ventilation. Carbon monoxide is an invisible, odorless gas that can kill.

ELECTRICAL

Powered Equipment



- ELECTRICAL HAZARD** - Be sure equipment is properly grounded. Failure to comply could kill or result in serious injury.



The engine exhaust from this product contains chemicals known to the State of California to cause cancer, birth defects or other reproductive harm.

GENERAL INSTRUCTIONS



- You must read and understand the operators instruction manual and all other manuals associated with this machine. For your safety and the safety of others around you, it is extremely important to fully understand how to operate this machine in the way it was intended. Different model machines or older/newer versions of the same model may have different parts and controls that you need to understand. If instructions are not readable or available DO NOT USE this machine and contact the factory for a replacement Manual.
- You must be able to physically handle the bulk weight and power of this machine. If not properly controlled this machine can cause death or serious injury.
- Do not operate this machine in an impaired mental state. You must be able to exercise good judgement and reactions to maintain a safe working environment.
- This is a "one person" machine which means only one operator can be operating the machine at any one time. For the safety of others, maintain a safe operating distance to other personnel. Your work area should be defined and appropriately marked so bystanders and coworkers do not stand or walk near this machine and end up seriously injured by flying debris or exposing them to harmful noise or dust.
- This equipment is for Commercial use. Although this is a "one person" machine your work team should understand how to shut this machine off and quickly get medical help if an accident strikes the operator.
- Keep all guards in place during operation. The guards are to provide protection from inadvertent contact with dangerous moving parts, pinch points, or hot surfaces.
- Wear appropriate Personal Protective Equipment (PPE) including safety glasses, safety boots, work gloves, respiratory protection, hearing protection, and head protection. Do not wear loose clothing that can get tangled in moving parts. Failure to do so could result in dismemberment or death. **Wear an approved respirator when removing hazardous materials or when grinding/cutting dry materials. Some dust particles such as concrete dust can contain silicate particles which can cause silicosis (a very serious lung disease). Contact NIOSH or OSHA for further details. When wet grinding/cutting, avoid contact with the concrete/asphalt slurry which can cause serious skin irritations.**
- You must maintain this machine per the maintenance schedule in the operator manual. Remember before adjusting, servicing, or fueling this machine, disconnect the source of power to the machine by disconnecting the spark plug (Gas models), or by unplugging the electrical power cord (electric models) or air hose (Pneumatic models) AT THE MACHINE so you can assure yourself it remains unplugged while you are working on it. Do not modify this machine. Use only genuine EDCO parts and accessories. Repairs and service should be performed by approved EDCO dealers or authorized technicians.
- You should look carefully around the area before you begin work so you can identify potential hazards such as deck inserts, pipes, columns, openings, electrical cords or outlets, or any other objects protruding from the slab surface.
- This machine has no brain so you must use your own. There is no substitute for safety. The safety decals on the machine are to serve as a reminder for information you must already know before you begin using this machine. Take a moment to reread the safety decals each time you use the machine. If your machine is missing any decals, contact the factory for a replacement (EDCO 1-800-638-3326).

PARTS LIST MANUAL

MODEL CPU-12

Section	Page Number
Safety Messages & General Instructions	2
How To Order Repair Parts.	3
Illustration 1 - Main Frame Grouping	4
Parts Listing.	5
Illustration 2 - Lifting System Grouping	6
Parts Listing.	7
Illustration 3 - Transmission Grouping	8
Parts Listing	9
Illustration 4 - Rear Axle & Wheel Grouping	10
Parts Listing	11
Illustration 5 - Drum Grouping	12
Illustration 6 - Belt Drive Grouping.	13
Illustration 7 - Engine Grouping	14
Parts Listing	15
Limited Equipment Warranty (Back Cover)	16

HOW TO ORDER REPLACEMENT PARTS

- To insure product safety and reliability, always use genuine EDCO replacement parts when making repairs to the equipment.

- When calling for parts, specify the MODEL and SERIAL NUMBER of the machine which can be found on the NAME PLATE. Keep that information in the space provided. In addition to this information, give part number, description and quantity as listed on the parts list to your parts representative.

- Please note: Due to improvements and changes in the equipment, the illustrations shown may be different than the actual machine.

FILL IN INFORMATION BELOW

Date of Purchase _____

Name of Machine _____

Model # _____

Serial # _____

Belt Size(s) _____

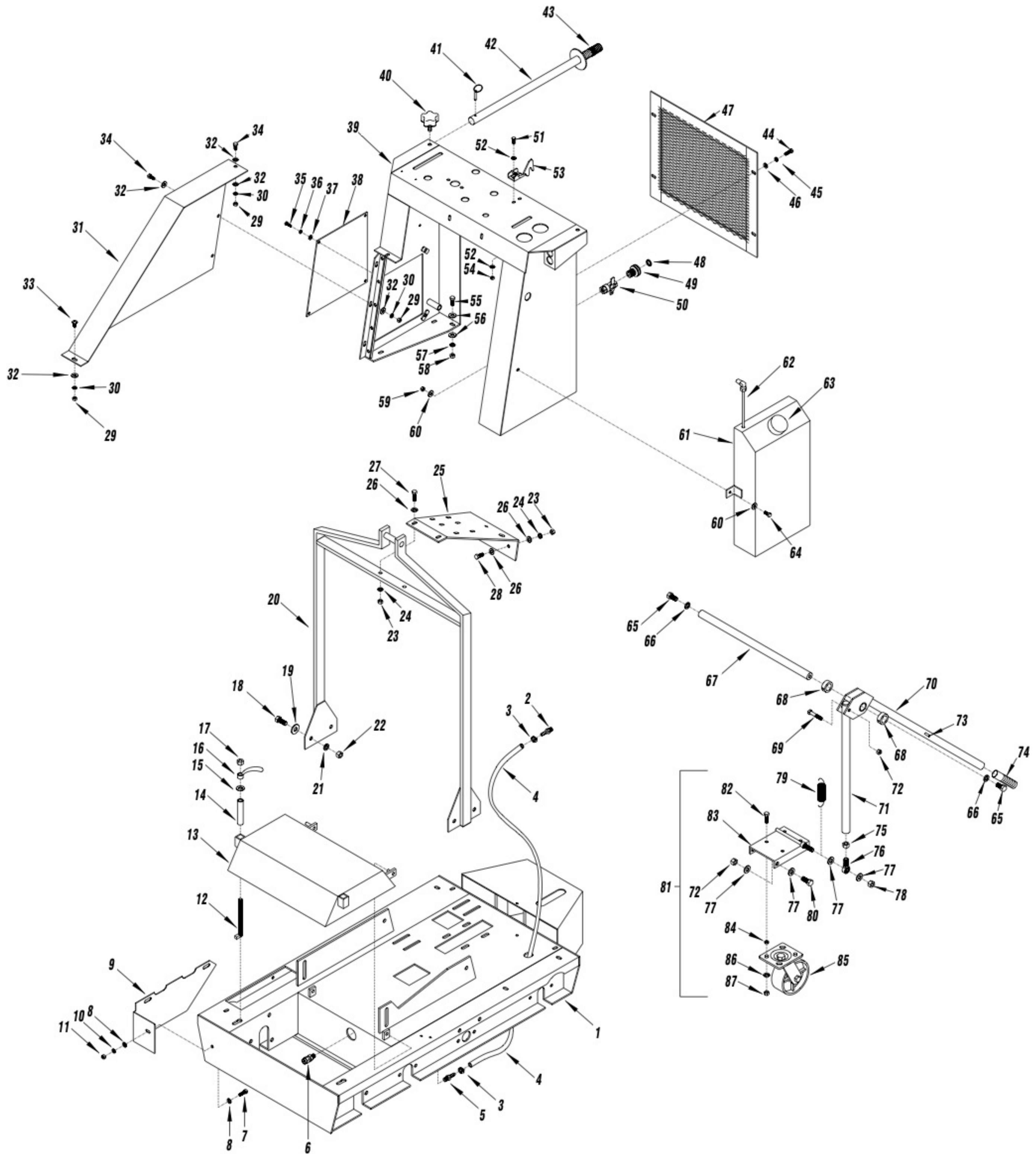
Toll Free: 1-800-638-3326

FAX: 1-800-447-3326

email: sales@edcoinc.com

www.edcoinc.com

ILLUSTRATION #1: MAIN FRAME GROUPING



PARTS LISTING - ILLUSTRATION #1 :MAIN FRAME GROUPING							
ITEM#	PART#	DESCRIPTION	QTY.	ITEM#	PART#	DESCRIPTION	QTY.
1	61213	MAIN FRAME	1	45	10801	WASHER, LOCK 5/16	4
2	50077	BARB, HOSE, 3/8 HOSE x 1/2 MPT	1	46	10213	WASHER, FLAT 5/16	4
3	50069	CLAMP, HOSE, SIZE M6 ADJ. TO 13/16"	2	47	61305	GRILL, REAR	1
4	61220	HOSE, 3/8 ID x 40-1/2" LONG	1	48	10070	WASHER, HOSE 3/4"	1
5	50075	BARB, HOSE, 3/8 HOSE x 1/4 MPT	1	49	80021	CONNECTOR, FEMALE 3/4 NH x 1/2 MPT	1
6	80029	NOZZLE, SPRAY 1/4 NPT (BRASS)	1	50	10711	VALVE, BALL 1/2" FPT	1
7	10806	SCREW, CAP 5/16-18 x 1	3	51	10018	SCREW, CAP 1/4-20 x 3/4	1
8	10213	WASHER, FLAT 5/16	6	52	10602	WASHER, FLAT 1/4	2
9	61211	GUARD, LOWER PULLEY	1	53	61202	LATCH, REAR CASTER LEVER	1
10	10801	WASHER, LOCK 5/16	3	54	10861	NUT, KEPS 1/4-20	1
11	10054	NUT 5/16-18	3	55	10021	SCREW, CAP 3/8-24 x 1	6
12	61210	ROD, ALL THREAD 1/2-13 HOOD LATCH	2	56	10025	WASHER, FLAT 3/8	12
13	61209	COVER, DRUM (HOOD)	1	57	10811	WASHER, LOCK 3/8	6
14	61208	TUBE, HOOD LATCH 3/4"OD x 3-3/4"L	2	58	10014	NUT 3/8-24	6
15	10312	WASHER, FLAT 1/2	2	59	10861	NUT, KEPS 1/4-20	3
16	40358	NUT, TAIL HANDLE 1/2-13	2	60	10602	WASHER, FLAT 1/4	6
17	10407	NUT, LOCK 1/2-13	2	61	61055	TANK, GAS, 3 GALLON (INCLUDES ITEM #63)	1
18	10321	SCREW, CAP 1/2-20 x 1-1/4	4	62	61058	TUBE, FUEL PICK UP, 19"	1
19	10312	WASHER, FLAT 1/2	4	63	61056	CAP, GAS TANK	1
20	51302	BAIL, LIFTING	1	64	10018	SCREW, CAP 1/4-20 x 3/4	3
21	10045	WASHER, LOCK 1/2	4	65	10304	SCREW, CAP 1/2-20 x 1	2
22	10072	NUT 1/2-20	4	66	10045	WASHER, LOCK 1/2	2
23	10014	NUT 3/8-24	4	67	61205	SHAFT, 1"RD x 20-3/8"L	1
24	10811	WASHER, LOCK 3/8	4	68	10427	COLLAR, LOCKING 1"ID	2
25	61303	BRACKET, AIR CLEANER	1	69	10030	SCREW, CAP 3/8-24 x 2	1
26	10025	WASHER, FLAT 3/8	6	70	61110	LEVER, REAR CASTER	1
27	10309	SCREW, CAP 3/8-24 x 1-1/4	2	71	61206	LINKAGE, REAR CASTER	1
28	10021	SCREW, CAP 3/8-24 x 1	2	72	10004	NUT, LOCK 3/8-24	1
29	10054	NUT 5/16-18	5	73	50072	PIN, ROLL 1/4 x 2	1
30	10801	WASHER, LOCK 5/16	5	74	79022	GRIP, HAND 1" MODEL RG	1
31	61204	COVER, BELT	1	75	10072	NUT 1/2-20	1
32	10213	WASHER, FLAT 5/16	9	76	4805	ROD END, MALE 1/2-20	1
33	10818	BOLT, CARRIAGE 5/16-18 x 3/4	1	77	10312	WASHER, FLAT 1/2	6
34	10053	SCREW, CAP 5/16-18 x 3/4	4	78	10407	NUT, LOCK 1/2-13	1
35	10018	SCREW, CAP 1/4-20 x 3/4	4	79	50074	SPRING, EXT. 1" OD x 3-15/16" INSIDE ENDS	1
36	10038	WASHER, LOCK 1/4	4	80	10321	SCREW, CAP 1/2-20 x 1-1/4	2
37	10602	WASHER, FLAT 1/4	4	81	61120A	FIFTH WHEEL SUBASSEMBLY	1
38	61003	DOOR, CONSOLE SIDE ACCESS	1			(INCLUDES ITEMS 82-87)	
39	61304	CONSOLE, ELECTRIC HYD. PUMP	1	82	10309	SCREW, CAP 3/8-24 x 1-1/4	4
40	51230	KNOB, STAR CLAMPING 3/8-16 x 1 STUD	2	83	61120	CARRIAGE, CASTER BASE	1
41	10145	PIN, DETENT RING 3/16 x 1-5/16 EFF. L	2	84	10113	SPACER, STEEL 9/16" OD x 3/8" ID x 7/32"	4
42	51024	HANDLEBAR, 24"	2	85	61121	CASTER, SWIVEL WITH 5" C.I. WHEEL	1
43	61108	GRIP, 1" MODEL SX	2	86	10025	WASHER, FLAT 3/8	4
44	10806	SCREW, CAP 5/16-18 x 1	4	87	10004	NUT, LOCK 3/8-24	4

100 Thomas Johnson Drive, Frederick, MD 21702-4600 USA

Phone (301) 663-1600 • 1-800-638-3326

Fax (301) 663-1607 • 1-800-447-3326

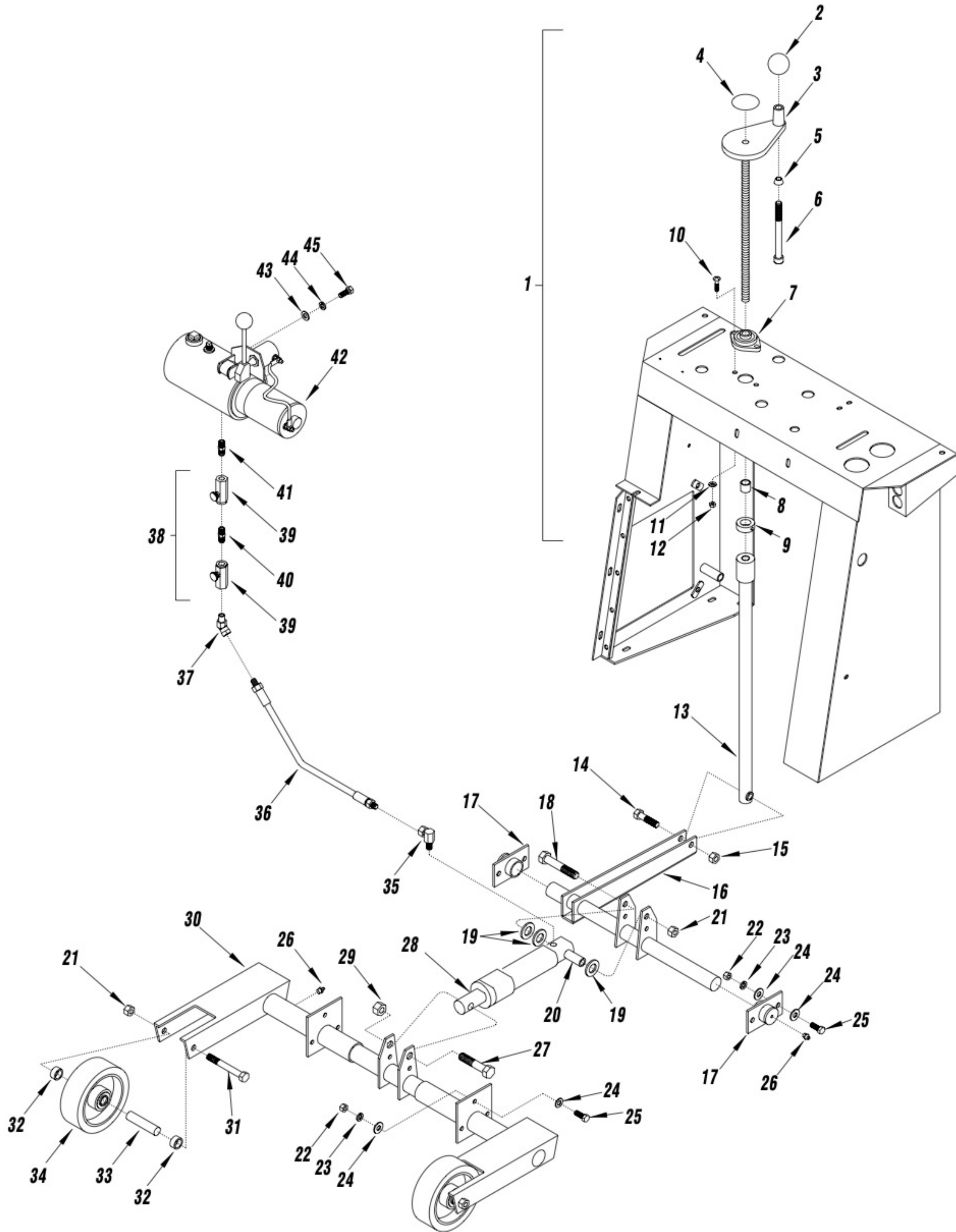
Website: www.edcoinc.com • Email: sales@edcoinc.com

Printed in USA

©2000

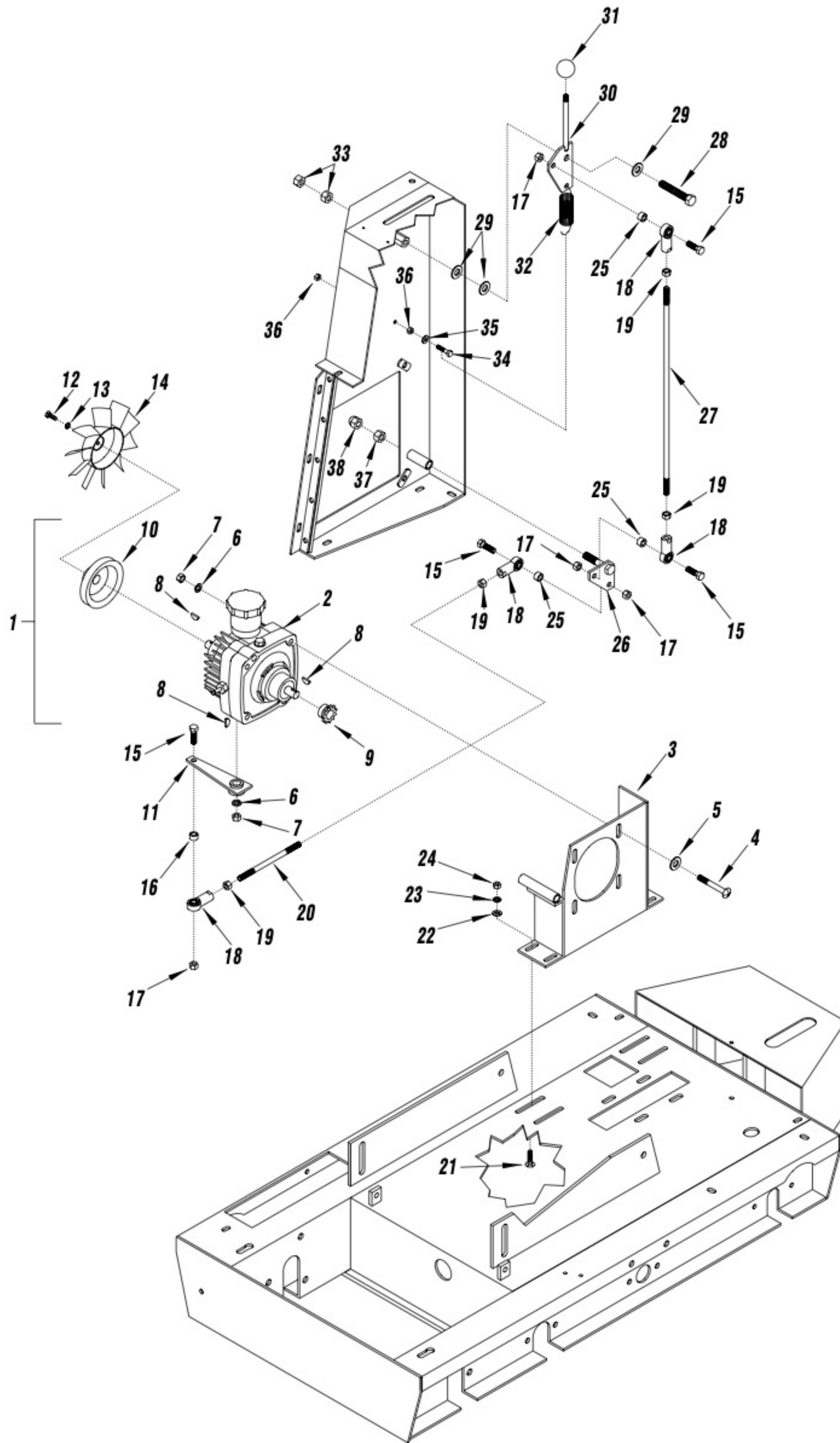
Page 5

ILLUSTRATION #2:LIFTING SYSTEM GROUPING



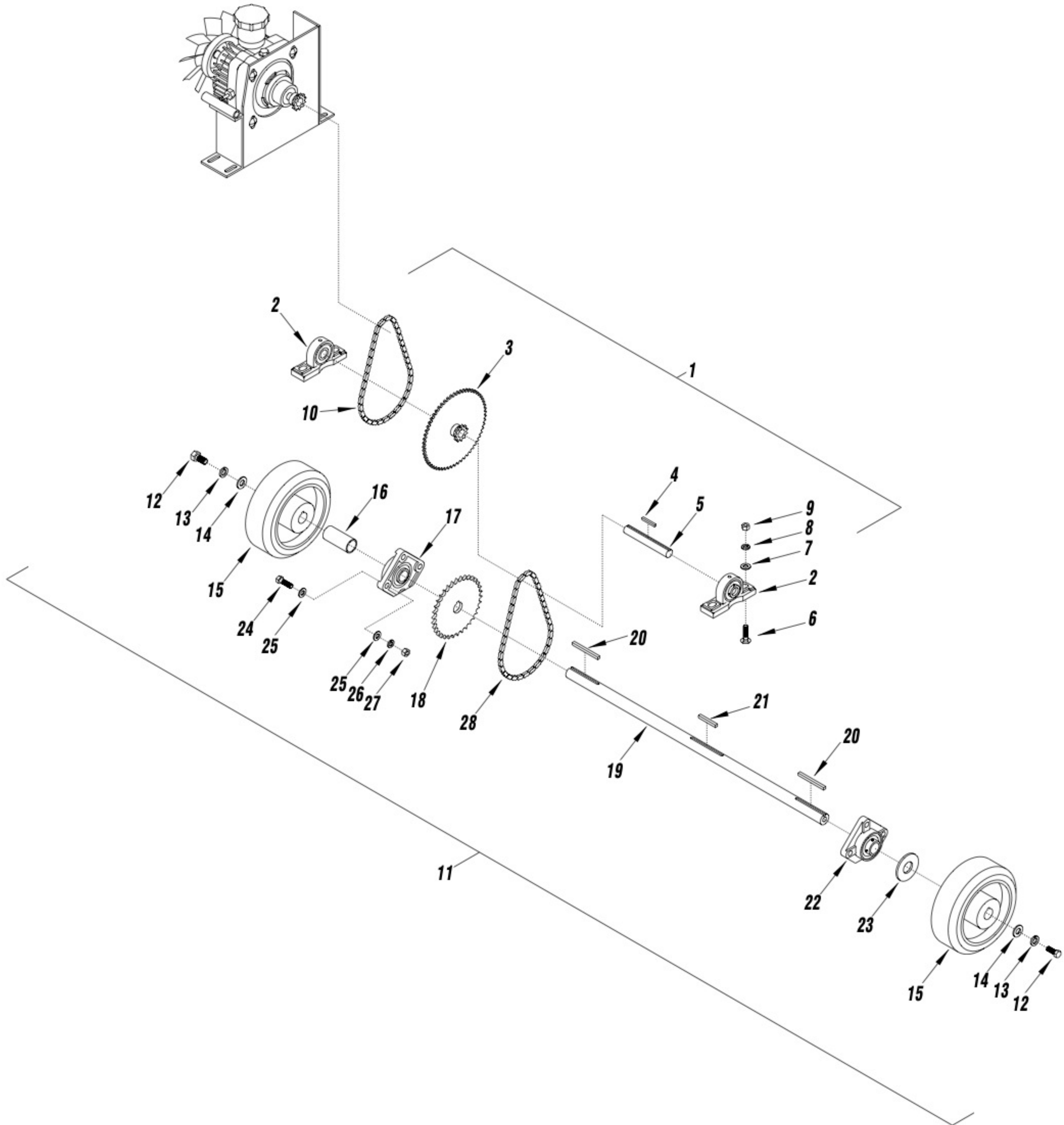
PARTS LISTING - ILLUSTRATION #2 :LIFTING SYSTEM GROUPING							
ITEM#	PART#	DESCRIPTION	QTY.	ITEM#	PART#	DESCRIPTION	QTY.
1	75004A	HANDWHEEL SUBASSEMBLY (INCLUDES ITEMS 2-9)	1	38	61116A	VALVE SUBASSEMBLY HYDRAULIC PUMP FLOW CONTROL (INCLUDES ITEMS 39 & 40)	1
2	10104	KNOB, BALL 1-7/8" DIA. W/ 1/2-13 THD.	1				
3	75004	HANDWHEEL, LRG W/ 5/8-8 x 16" ROD	1	39	61116	VALVE, FLOW CONTROL	2
4	61106	DECAL, CUT CONTROL DN/UP	1	40	10717	NIPPLE, HEX 1/4 NPT (BRASS)	1
5	50550	SLEEVE FOR 1/2" CAPSCREW, TAPERED	1	41	10717	NIPPLE, HEX 1/4 NPT (BRASS)	1
6	10411	SCREW, SKT. HD. CAP 1/2-13 x 4	1	42	50227	PUMP, HYDRAULIC ELECTRIC 12VDC (M-301)	1
7	80009	BEARING, BALL 5/8" 2 HOLE FLANGE	1				
8	55010	SPACER, HANDWHEEL 5/8" x 3/4	1	43	10025	WASHER, FLAT 3/8	2
9	10096	COLLAR, LOCKING 5/8" ID	1	44	10811	WASHER, LOCK 3/8	2
10	10412	BOLT, CARRIAGE 1/4-20 x 1	2	45	10055	SCREW, CAP 3/8-16 x 1	2
11	10602	WASHER, FLAT 1/4	2				
12	10861	NUT, KEPS 1/4-20	2				
13	61214	LINKAGE, LOWER CONTROL 25"L	1				
14	10322	SCREW, CAP 1/2-20 x 2	1				
15	10205	NUT, LOCK 1/2-20	1				
16	61218	ARM, CYLINDER CONTROL	1				
17	61219	SUPPORT, PIVOT	2				
18	10324	SCREW, CAP 1/2-13 x 3-1/2	1				
19	10009	WASHER, FLAT 3/4	3				
20	61217	TUBE, CYLINDER 3/4" OD x 2-5/16"L	1				
21	10407	NUT, LOCK 1/2-13	3				
22	10014	NUT 3/8-24	10				
23	10811	WASHER, LOCK 3/8	10				
24	10025	WASHER, FLAT 3/8	20				
25	10021	SCREW, CAP 3/8-24 x 1	10				
26	10808	FITTING, GREASE 1/4-28 STRAIGHT	4				
27	10326	SCREW, CAP 5/8-11 x 3	1				
28	61020	CYLINDER, HYDRAULIC	1				
29	10809	NUT, LOCK 5/8-11	1				
30	61216	FORK, OUTRIGGER	1				
31	81001	SCREW, CAP 1/2-13 x 4	2				
32	61047	SPACER, WHEEL 3/4" ID x 15/32	4				
33	61048	AXLE TUBE 3/4" OD x 3-1/4" L	2				
34	50030	WHEEL 6 x 2 x 3/4" BEARING, ALUMINUM/RUBBER	2				
35	10709	FITTING, SWIVEL 90°, 1/4 NPT HYDRAULIC	1				
36	61215	HOSE, HYDRAULIC 1/4 NPT x 31-1/2" L	1				
37	10710	FITTING, SWIVEL 45°, 1/4 NPT HYDRAULIC	1				

ILLUSTRATION #3: TRANSMISSION GROUPING



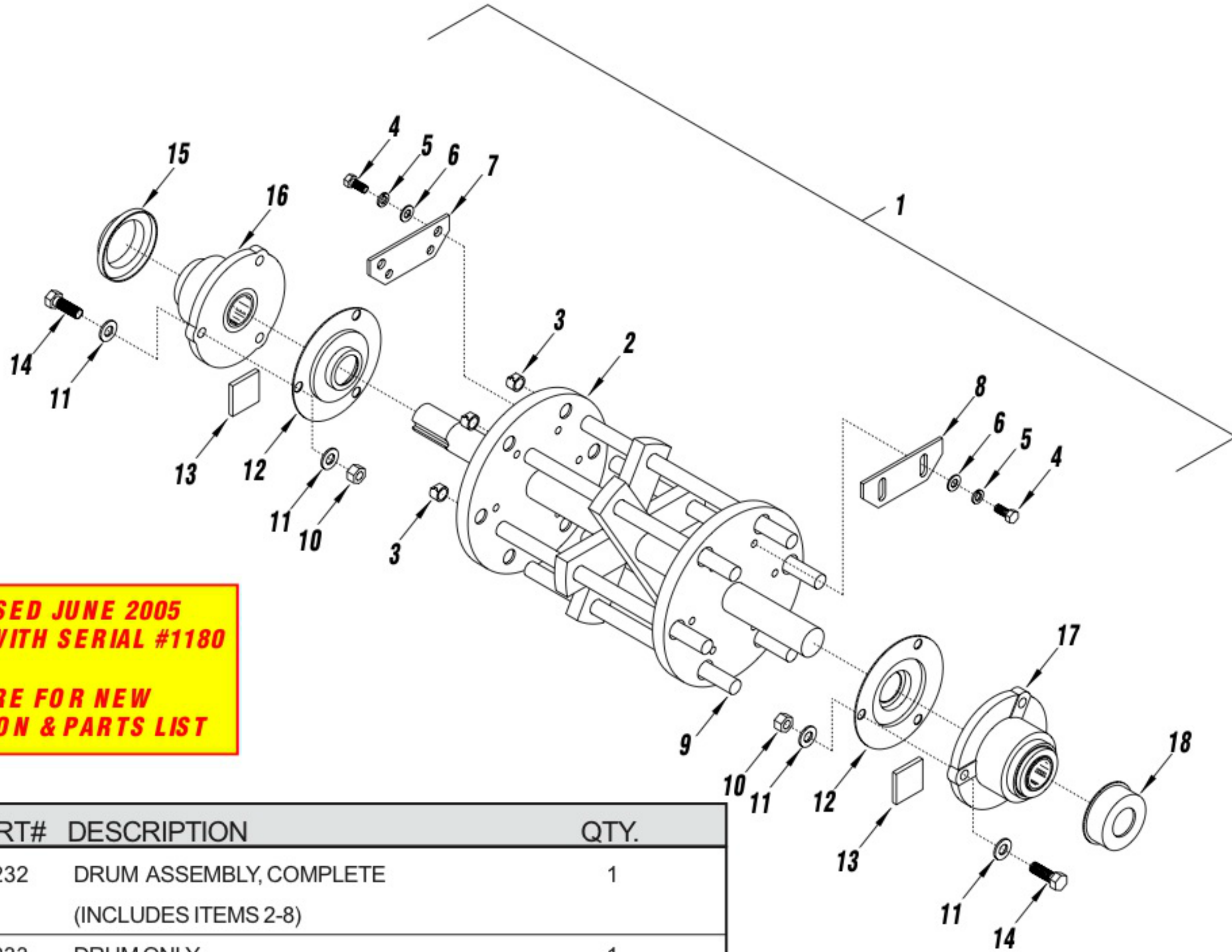
PARTS LISTING - ILLUSTRATION #3 :TRANSMISSION GROUPING			
ITEM#	PART#	DESCRIPTION	QTY.
1	61226A	TRANSMISSION SUBASSEMBLY (INCLUDES ITEMS 2-11)	1
2	50061	TRANSMISSION, HYDROSTATIC	1
3	61226	MOUNT, TRANSMISSION	1
4	10909	BOLT, CARRIAGE 3/8-16 x 3	4
5	10040	WASHER, GARRET 1"OD x 17/32 ID x .054T	4
6	10811	WASHER, LOCK 3/8	4
7	10404	NUT 3/8-16	4
8	50071	KEY, WOODRUFF 1/8 x 1/2(#404)	3
9	50048	SPROCKET #3511 x .67 BORE	1
10	50062	SHEAVE, HYD. TRANS. 4"OD x 1 Gr. x .671 BORE	1
11	61225	CONTROLARM, TRANSMISSION	1
12	10834	SCREW, CAP 1/4-20 x 1/2	1
13	10038	WASHER, LOCK 1/4	1
14	50266	FAN BLADE WITH PLATE 7"	1
15	10816	SCREW, CAP 3/8-24 x 1-1/2	4
16	10011	SPACER, STEEL 5/8 OD x 3/8 ID x 3/8	1
17	10004	NUT, LOCK 3/8-24	4
18	10919	ROD END, FEMALE 3/8-24	4
19	10014	NUT 3/8-24	4
20	61224	LINKAGE, ROD 3/8 x 6-1/2"L	1
21	10819	BOLT, CARRIAGE 5/16-18 x 1	4
22	10213	WASHER, FLAT 5/16	4
23	10801	WASHER, LOCK 5/16	4
24	10054	NUT 5/16-18	4
25	10113	SPACER, STEEL 9/16" OD x 3/8"ID x 7/32"	3
26	61038	PIVOT LINKAGE CONNECTOR, TRANSMISSION	1
27	61223	LINKAGE, ROD 3/8" x 19-1/4"L	1
28	10340	BOLT, TAP 1/2-13 x 3(FULL THREAD)	1
29	10312	WASHER, FLAT 1/2	3
30	61221	LEVER, DRIVE	1
31	10920	KNOB, BALL 1-3/8"DIA. W/ 5/16-24 THREADS	1
32	50074	SPRING, EXT.1"OD x 3-15/16" INSIDE ENDS	1
33	10417	NUT 1/2-13	2
34	10905	SCREW, CAP 1/4-20 x 1-1/4	1
35	10602	WASHER, FLAT 1/4	1
36	10013	NUT 1/4-20	2
37	10205	NUT, LOCK 1/2-20	1
38	10422	NUT, ACORN 1/2-20	1

ILLUSTRATION #4: REAR AXLE & WHEEL GROUPING



PARTS LISTING - ILLUSTRATION #4 :REAR AXLE & WHEEL GROUPING			
ITEM#	PART#	DESCRIPTION	QTY.
1	61053A	JACKSHAFT SUBASSEMBLY (INCLUDES ITEMS 2-5)	1
2	50045	BEARING, BALL 3/4" PILLOW BLOCK	2
3	61124	SPROCKET, DUAL #3560-4010	1
4	10016	KEY 3/16"SQ. x 1-1/2	1
5	61053	JACKSHAFT, 3/4"RD x 5"L	1
6	10804	BOLT, CARRIAGE 3/8-16 x 1-1/2	4
7	10025	WASHER, FLAT 3/8	4
8	10811	WASHER, LOCK 3/8	4
9	10404	NUT 3/8-16	4
10	61229	CHAIN #35 x 26-1/8" LOA	1
11	61228A	AXLE & WHEEL SUBASSEMBLY (INCLUDES ITEMS 12-23)	1
12	10914	SCREW, CAP 1/2-13 x 1	2
13	10045	WASHER, LOCK 1/2	2
14	10312	WASHER, FLAT 1/2	2
15	61065	WHEEL 8 x 3 x 1" BORE	2
16	61231	SPACER, WHEEL 1"ID x 2-3/4"L	1
17	61052R	BEARING, BALL 1"MODIFIED 3 HOLE (RIGHT)	1
18	61126	SPROCKET #40B34 x 1" BORE	1
19	61228	AXLE SHAFT, 1"DIA. x 30"L	1
20	10132	KEY 1/4"SQUARE x 3"L	2
21	10115	KEY 1/4"SQUARE x 2"L	1
22	61052L	BEARING, BALL 1"MODIFIED 3 HOLE (LEFT)	1
23	10008	WASHER, FLAT 1"	1
24	10309	SCREW, CAP 3/8-24 x 1-1/4	6
25	10025	WASHER, FLAT 3/8	12
26	10811	WASHER, LOCK 3/8	6
27	10014	NUT 3/8-24	6
28	61230	CHAIN #40 x 24-13/16"LOA	1

ILLUSTRATION #5:DRUM GROUPING

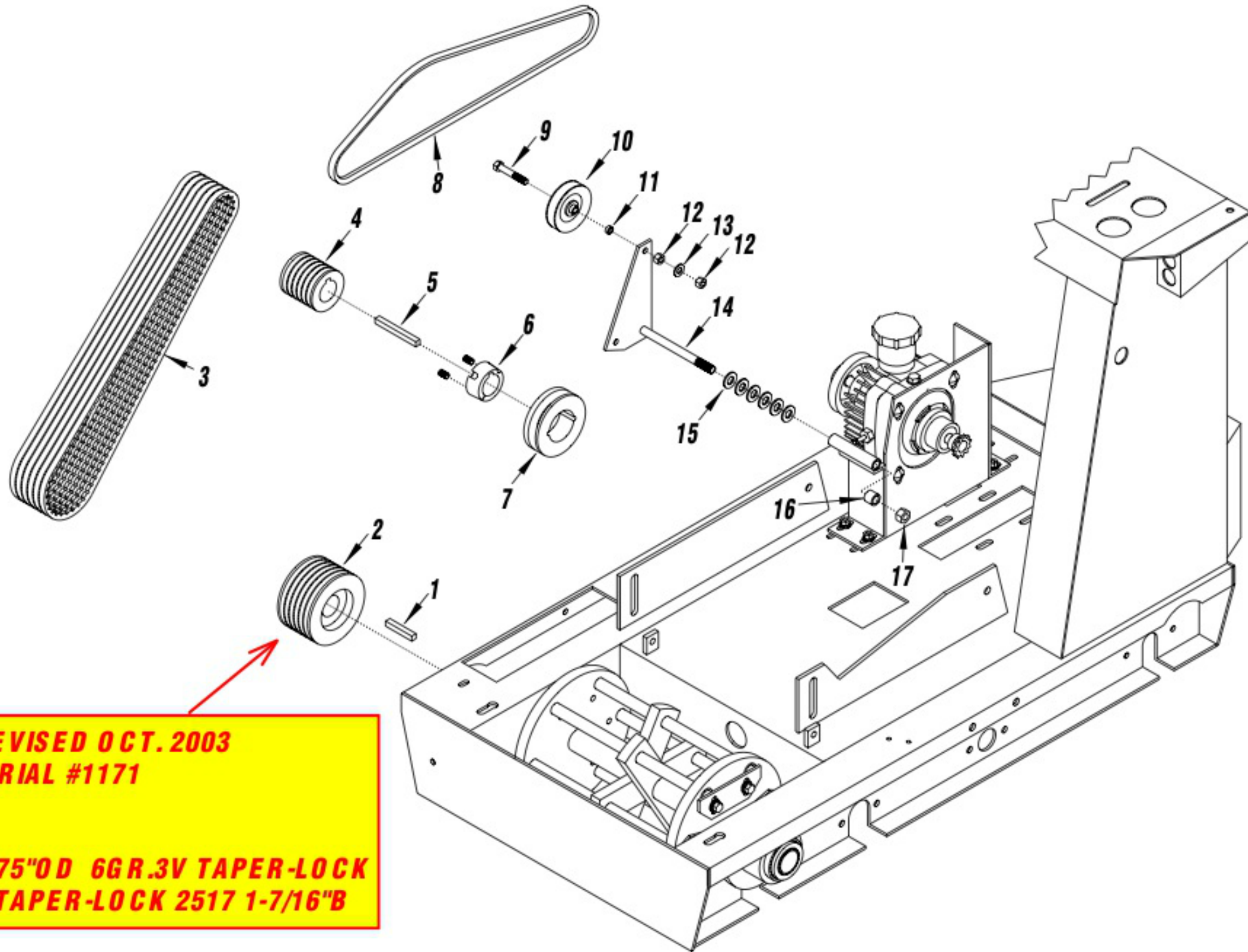


**DRUM REVISED JUNE 2005
STARTING WITH SERIAL #1180**

**SELECT HERE FOR NEW
ILLUSTRATION & PARTS LIST**

ITEM#	PART#	DESCRIPTION	QTY.
1	61232	DRUM ASSEMBLY, COMPLETE (INCLUDES ITEMS 2-8)	1
2	61233	DRUM ONLY	1
3	84063	BUSHING, DRUM, HARDENED STEEL 3/4"ID	12
4	10912	SCREW, CAP 3/8-16 x 7/8 (GRADE 8)	12
5	10811	WASHER, LOCK 3/8	12
6	10025	WASHER, FLAT 3/8	12
7	61249	RETAINING PLATE, CUTTER SHAFT, 4-HOLE	3
8	61234	RETAINING PLATE, CUTTER SHAFT, 2-SLOT	3
9	20010	CP 412 SHAFT, 13-5/8"	6
10	10205	NUT, LOCK 1/2-20	6
11	10312	WASHER, FLAT 1/2	12
12	61238	BEARING DUST SHIELD	2
13	61239	RUBBER SEAL, 1-3/4"SQ.	2
14	10308	SCREW, CAP 1/2-20 x 1-1/2	6
15	61247	BEARING STEEL FLINGER	1
16	61236	BEARING ROLLER 1-1/2" 3-HOLE (RIGHT)	1
17	61235	BEARING ROLLER 1-1/2" 3-HOLE (LEFT)	1
18	61237	BEARING STEEL CAP	1

ILLUSTRATION #6:BELT DRIVE GROUPING

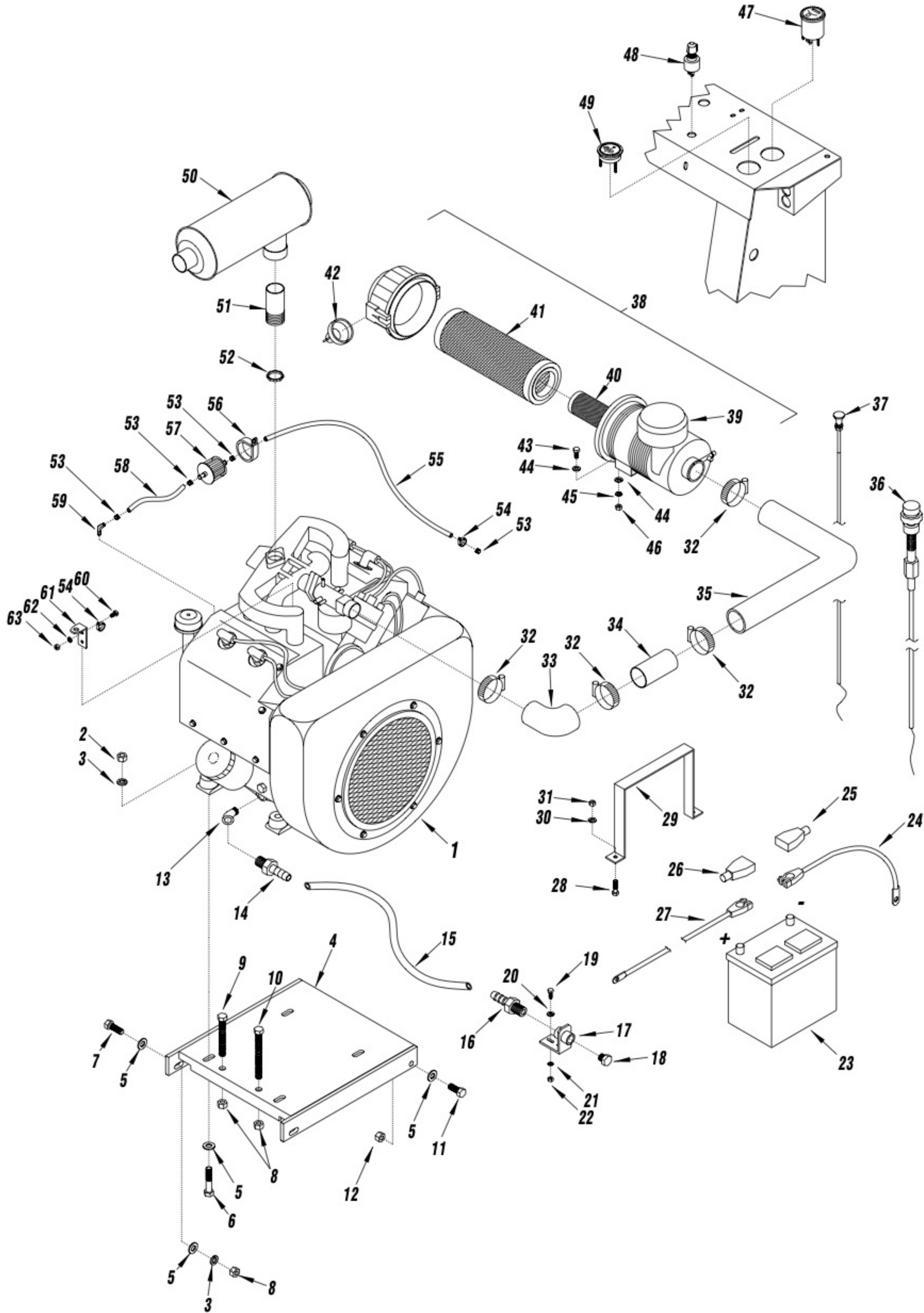


**SHEAVE (ITEM 2) REVISED OCT. 2003
STARTING WITH SERIAL #1171**

**NEW PARTS:
#61315 - SHEAVE 4.75"OD 6GR.3V TAPER-LOCK
#61316 - BUSHING, TAPER-LOCK 2517 1-7/16"B**

ITEM#	PART#	DESCRIPTION	QTY.
1	10118	KEY, 3/8 SQUARE x 2-1/4	1
2	10514	SHEAVE 4.8"OD x 6 Gr. 3Vx 1-7/16" BORE	1
3	10243	BELT 3VX-530 COG (SINGLE)	6
4	10510	SHEAVE 2.8" OD x 6 Gr. 3V x 1-7/16" BORE	1
5	10074	KEY, 3/8 SQUARE x 3-1/2"	1
6	10531	BUSHING, SHEAVE TAPER-LOCK x 1-7/16" BORE	1
7	10528	SHEAVE 4.15"OD x 1 Gr.AB TAPER-LOCK	1
8	61308	BELTAP-41	1
9	10336	SCREW, CAP 3/8-24 x 2-1/4	1
10	50115	PULLEY, IDLER 3"OD x 1Gr.AB x 3/8 BEARING	1
11	10113	SPACER, 9/16"OD x 3/8"ID x 7/32	1
12	10004	NUT, LOCK 3/8-24	2
13	10025	WASHER, FLAT 3/8	1
14	61227	BRACKET, IDLERARM	1
15	10312	WASHER, FLAT 1/2	6
16	41045	SPACER 3/4"OD x 1/2"ID x 5/8"L	1
17	10205	NUT, LOCK 1/2-20	1

ILLUSTRATION #7:ENGINE GROUPING



PARTS LISTING - ILLUSTRATION #7 :ENGINE GROUPING							
ITEM#	PART#	DESCRIPTION	QTY.	ITEM#	PART#	DESCRIPTION	QTY.
1	31401	ENGINE, WISCONSIN 35 HP W4-1770	1	39	15143	PRECLEANER, AIR FILTER	1
2	10072	NUT 1/2-20	4	40	15142	SAFETY ELEMENT, AIR FILTER	1
3	10045	WASHER, LOCK 1/2	6	41	15141	PRIMARY ELEMENT, AIR FILTER	1
4	61301	MOUNT, ENGINE, CPU-12 35W	1	42	15144	DUCKBILL DRAIN	1
5	10312	WASHER, FLAT 1/2	10	43	10053	SCREW, CAP 5/16-18 x 3/4	2
6	10343	SCREW, CAP 1/2-20 x 2-1/2	4	44	10213	WASHER, FLAT 5/16	4
7	10356	SCREW, CAP 1/2-13 x 1-1/2	2	45	10801	WASHER, LOCK 5/16	2
8	10417	NUT 1/2-13	4	46	10054	NUT 5/16-18	2
9	10392	BOLT, TAP 1/2-13 x 4(FULL THD.)	1	47	10637	METER, HOUR 2-1/16"	1
10	10373	BOLT, TAP 1/2-13 x 5(FULL THD.)	1	48	10632	SWITCH, IGNITION STARTER, LEVER TYPE 1	1
11	10321	SCREW, CAP 1/2-20 X 1-1/4	2	49	10631	METER, 30 AMP	1
12	10205	NUT, LOCK 1/2-20	2	50	10622	MUFFLER, WD-72	1
13	10752	ELBOW, STREET 3/8NPT x 45°(BLACK)	1	51	10623	PIPE, MUFFLER 1-1/4"NPT x 3"	1
14	50554	BARB, PUSH ON 1/2" HOSE x 3/8MPT	1	52	10720	CONDUIT LOCK NUT, 1-1/4NP	1
15	61309	HOSE, PUSH ON 1/2"ID x 14"L	1	53	10762	CLAMP, HOSE, SPRING TYPE 3/8" (GREEN)	4
16	80061	BARB, PUSH ON 1/2" HOSE x 1/2 MPT	1	54	11565	CLAMP, LOOM 5/8"-SIZE 10	2
17	57159	BRACKET, OIL DRAIN	1	55	61311	HOSE, FUEL 1/4"ID x 26"L	1
18	50552	PLUG, PIPE 1/2 NPT(BRASS)	1	56	11566	CLAMP, LOOM 1-3/4"-SIZE 28	1
19	10018	SCREW, CAP 1/4-20 x 3/4	1	57	15116	FILTER, FUEL 1/4" IN LINE	1
20	10602	WASHER, FLAT 1/4	1	58	61312	HOSE, FUEL 1/4"ID x 13"L	1
21	10038	WASHER, LOCK 1/4	1	59	10771	BARB, ELBOW 90° 1/4" HOSE x 1/8" MPT	1
22	10013	NUT 1/4-20	1	60	10834	SCREW, CAP 1/4-20 x 1/2	1
23	50321	BATTERY 12VOLT/400CCA (POST TERMINALS)	1	61	50429	BRACKET, THROTTLE CABLE MOUNTING	1
24	50323B	CABLE, BATTERY 4GA. x 12"(BLACK)	1	62	10602	WASHER, FLAT 1/4	1
25	10929	INSULATOR, BAT, TERM. NEG.(BLACK)	1	63	10015	NUT, LOCK 1/4-20	1
26	10928	INSULATOR, BAT, TERM. POS.(RED)	1				
27	61310	CABLE, BATTERY 4GA. x 17"L(RED)	1				
28	10606	SCREW, CAP 5/16-18 x 1-1/4	2				
29	61241	CLAMP, BATTERY HOLD DOWN	1				
30	10213	WASHER, FLAT 5/16	2				
31	10807	NUT, LOCK 5/16-18	2				
32	10745	CLAMP, HOSE, SIZE 36, ADJ. UP TO 2-3/4"	4				
33	10638	HOSE ELBOW, REDUCER, 2" TO 1-3/4"	1				
34	50545	PIPE 2"OD x 4"L, AIR CLEANER	1				
35	50537	HOSE ELBOW, AIR FILTER 2"ID	1				
36	50560	CABLE, VERNIER ADJ. LOCKING CONTROL 6 FT (CUT TO FIT)	1				
37	15129	CABLE, CHOKE CONTROL 72" (CUT TO FIT)	1				
38	15140	AIR CLEANER ASSEMBLY, 35HP WISC. (INCLUDES ITEMS 39-42)	1				



LIMITED EQUIPMENT WARRANTY

Equipment Development Company, Inc. herein referred to as EDCO warrants that each new unit manufactured by EDCO to be free from defects in material and workmanship in normal use and service for a period of (1) one year (except in the case of the cutter drum assembly on all model concrete asphalt planes, in which case the warranty period shall be 90 days) from date of shipment to the original retail or equipment rental center owner.

EDCO will, at its option, repair or replace, at the EDCO factory or at a point designated by EDCO any part, which shall appear to the satisfaction of EDCO inspection to have been defective in material or workmanship.

This warranty, does not apply to failure occurring as a result of abuse, misuse, negligent repairs, corrosion, erosion, normal wear and tear, alterations or modifications made to the product without express written consent of EDCO: or failure to follow the recommended operating practices and maintenance procedures as provided in the products operating and maintenance manuals.

This warranty does not obligate EDCO to bear any transportation charges in connection with the replacement or repair of defective parts. This warranty does not obligate EDCO to bear any expense for travel time or of personnel in connection with any service calls.

Accessories or equipment furnished and installed on the product by EDCO but manufactured by others, including but not limited to engines, motors, electrical equipment, transmissions, etc., shall carry the accessory manufacturers' own warranty.

THIS WARRANTY IS IN LIEU OF ALL OTHER WARRANTIES, EXPRESSED OR IMPLIED, OR STATUTORY, INCLUDING ANY WARRANTIES OF MERCHANTABILITY OR OF FITNESS FOR A PARTICULAR PURPOSE.

LIABILITY LIMITATIONS

The remedies of the user set forth under provisions of warranty outlined above are the exclusive and total liability of EDCO with the respect to their sale or the equipment and service furnished hereunder, in connection with the performance or breach thereof, or from the sale, delivery, installation, repair or technical direction covered by or furnished under the sale, whether based on contract, warranty, negligence, indemnity, strict liability, or otherwise shall not exceed the purchase price of the unit of equipment upon which such liability is based.

EDCO will not in any event be liable to the user, any successors in interest or any beneficiary or assignee relating to this sale for any consequential, incidental, indirect, special or punitive damages arising out of this sale or any breach thereof, or any defects on, or failure of, or malfunction of the equipment under this sale based upon loss of use, lost profits or revenue, interest, lost goodwill, work stoppage, impairment of other goods, loss by reason of shutdown or non-operation, increased expenses of operation of the equipment, cost of purchase or replacement power of claims of users or customers of the user for service interruption whether or not such loss or damage is based on contract, warranty, negligence, indemnity, strict liability, or otherwise.

EDCO reserves the right to modify, alter and improve any part or parts without incurring any obligation to replace any part or parts previously sold without such modified, altered or improved part or parts.

No person is authorized to give any other warranty or to assume any additional obligation on EDCO's behalf unless made in writing and signed by an officer of EDCO.

Equipment Development Company, Inc.

USE ONLY GENUINE EDCO PARTS AND ACCESSORIES

For your own safety, the safety of others and the life of your machine

